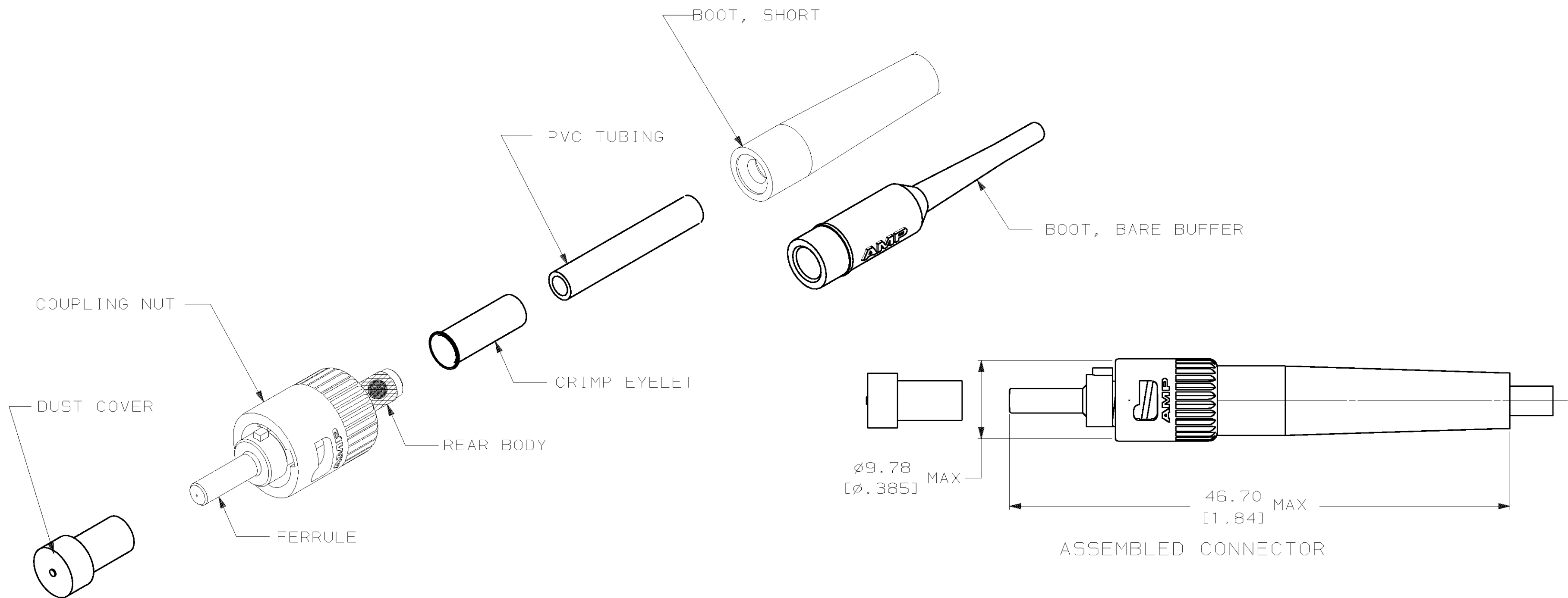


THIS DRAWING IS UNPUBLISHED. RELEASED FOR PUBLICATION ,19 .
 © COPYRIGHT 19 BY AMP INCORPORATED. ALL INTERNATIONAL RIGHTS RESERVED.

LOC		DIST		P		F		ZONE		LTR		REVISIONS		DATE	APPD
CE	16														
												N	REV PER 0A00-0404-02	20MAY02	JWD/SB



- 1 MATERIAL:
 DUST COVER: POLYOLEFIN, COLOR, BLACK
 FERRULE: POLYMER COMPOSITE, COLOR, WHITE
 PLASTIC COUPLING NUT: THEROPLASTIC, COLOR, BLACK
 METAL COUPLING NUT: ZINC
 REAR BODY: THERMOPLASTIC, COLOR, BLACK
 CRIMP EYELET: COPPER ALLOY

- 2 FINISH:
 CRIMP EYELET: TIN PLATE
 METAL COUPLING NUT: NICKEL PLATE

3. BULK PACKAGED

4 NO AMP LOGO

4	-	-	-	-	METAL NO LOGO	125±2µm	503424-8
	-	BEIGE	-	1	PLASTIC	125±2µm	503424-7
	BLACK	-	-	-	METAL	125±2µm	503424-6
	BLACK	-	-	-	PLASTIC	125±2µm	503424-5
OBSOLETE	-	-	-	-	-	1000±50µm	503424-4
	-	BLACK	-	1	PLASTIC	125±2µm	503424-3
OBSOLETE	-	-	-	-	-	140±3µm	503424-2
	-	-	-	1	PLASTIC	125±2µm	503424-1
	BUFFER BOOT	SHORT BOOT	PVC TUBING	CRIMP EYELET	COUPLING NUT	FIBER SIZE	PART NUMBER

DO NOT SCALE PRINT. UNLESS SPECIFIED DIMENSIONS IN mm [INCHES] TOLERANCES ON : 2 PLC DEC ± ___ 3 PLC DEC ± ___ ANGLES ± ___		DR 5-13-93 P YEAGER		AMP INCORPORATED Harrisburg, Pa. 17105	
MATERIAL 1		CHK 5-13-93 S BUCHTER			
FINISH 2		APPD 5-13-93 K MONROE		NAME CONNECTOR KIT, BAYONET POLYMER COMPOSITE OVERMOLD	
METRIC		APPLICATION SPEC		SIZE C	FSCM NO 00779
		WEIGHT		SCALE NTS	DRAWING NO 503424
				SHEET 1 OF 1	

ST-STYLE CONNECTORS (CONTINUED)

Performance Characteristics

Insertion Loss: 0.3dB Typical
Operating Temperature Range: -20°C to +75°C
Durability: 500 Cycles

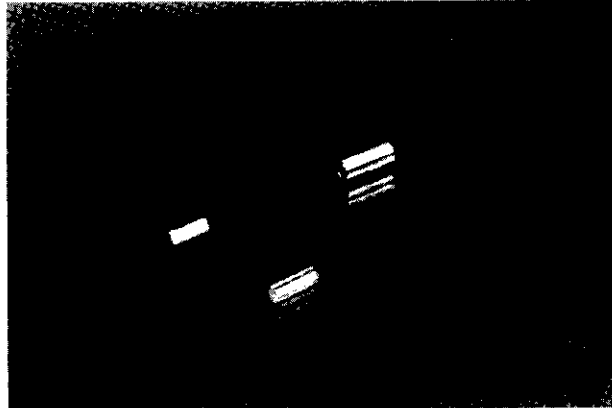
Materials

Ferrule - Composite Polymer
Body - Polymer
Coupling Nut - Polymer

Features

- Epoxy Type Connector
- AMP Quick Cure Adhesive Available for use. See page 9 for information.
- Pre-radiused Ferrule Finish

Polymer Composite



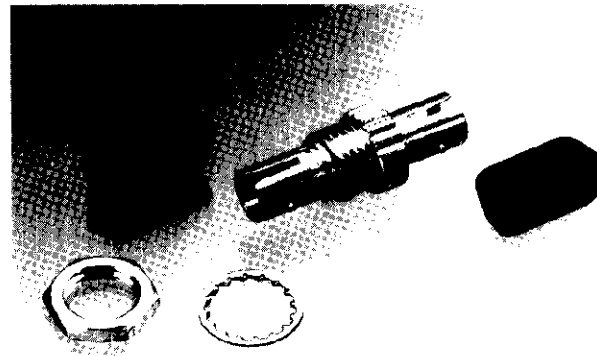
Fiber Size	Boot Type & Color	Max. Cable Dia.	Part Number
125	Short/Black/Bare Buffer	3.0	503415-1
125	Short/Black	3.0	503424-3*
125	Bulk Pk. No Boot	3.0	503424-1*
125	Bare Buffer/Black	.9	503424-5*

* Bulk packages are 1000 piece quantities.

ST-STYLE RECEPTACLES

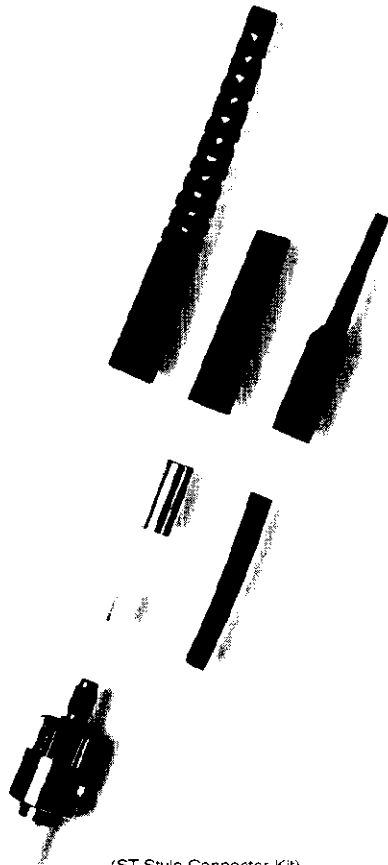
Features

- Free-hanging or panel mount design



Alignment Sleeve Material	Packaging	Part Number
Polymer Composite	Single	50138*-1
	Bulk (100C)	50138*-2
Metal	Single	504021-1
	Bulk (50)	504021-2
Zirconia Ceramic	Single	502750*-

ST-Style Polymer Ferrule Epoxy Connector Kits



(ST-Style Connector Kit)

Description	Packaging	Part Number
ST-Style Connector with 3.0mm & 900µm boot, polymer bayonet nut	Individual	503415-1
ST-Style Connector without boots, polymer bayonet nut	Bulk 100	503424-1
ST-Style Connector with 3.0mm boot, polymer bayonet nut	Bulk 100	503424-3
ST-Style Connector with 900µm boot, polymer bayonet nut	Bulk 100	503424-5
ST-Style Connector with 3.0mm boot, metal bayonet nut	Individual	503784-1
ST-Style Connector with 900µm boot, metal bayonet nut	Individual	503424-6

In the U.S. 1-800-553-0938
 Canada 905-475-6222
 Mexico 525-729-0400
 South and Central Americas 54-11-4733-2200
www.ampnetconnect.com
 e-mail: networking.help@tycoelectronics.com

tyco
 Electronics



- [Home](#)
- [Part Number Search](#)
- [Document Search](#)
- [Text Search](#)
- [Alternate Part Search](#)
- [Multiple Part Comparison](#)
- [Alphabetical Search](#)
- [Brand Search](#)
- [Industry Product Search](#)
- [Product Type Search](#)
- [Product Family Search](#)
- [Competitor Cross Reference](#)
- [Lead Free Solutions](#)
- [Help/Glossary](#)

Current Brand View	View All Tyco Electronics Brands Click to activate links to all other products
AMP	

Fiber Optic Products

ST-Style Connectors

AMP 503424-5 **Active** [Active](#)

(Tyco Electronics P/N: 503424-5)

[Search for Parts](#) | [Previous](#) [1](#) [2](#) [3](#) [4](#) **[5](#)** [6](#) [7](#) [8](#) [9](#) [Next](#)

Document links for this part cannot be displayed. Your browser does not support inline frames or is currently configured not to display inline frames. Inline frames are supported in both Internet Explorer 5 and Netscape 6, as well as all later versions of these browsers.

Related Part Information		
General Information	eCommerce	Related Part Information
General Info Sales Info Assembly Subcontractors	Pricing Product Availability	

Photos & Line Drawings - The photographs and/or line drawings are representative images of a product for viewing purposes only.

[Product Photo](#)

Searchable Features:	
Brand:	AMP
Product Type:	Connector
Fiber Size (Micron):	125
Mode:	Multimode
Cable Diameter (Max.) (mm [in]):	0.90 [0.035]
Hole Size (µm):	125
Boot Type:	Bare Buffer
Epoxyless:	No
Pre-Polished:	No
Operating Temperature (°C):	-20 – +75
Body Material:	Polymer

Other Properties:	
Boot Color:	Black

Ferrule Material:	Polymer Composite
Coupling Nut Material:	Polymer
Packaging Method:	Bulk
NETCONNECT Select System:	No

[Copyright](#) and [Privacy Statement](#)

Visit [Tyco International, Ltd.](#)

[Products](#) | [Catalog](#) | [Brands](#) | [Industries](#) | [Commerce](#) | [Supplier](#) | [Customer Service](#) | [About](#) | [Home](#)