

Ordering Information :

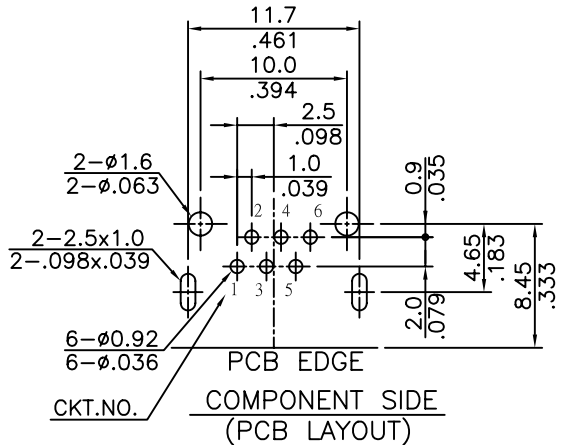
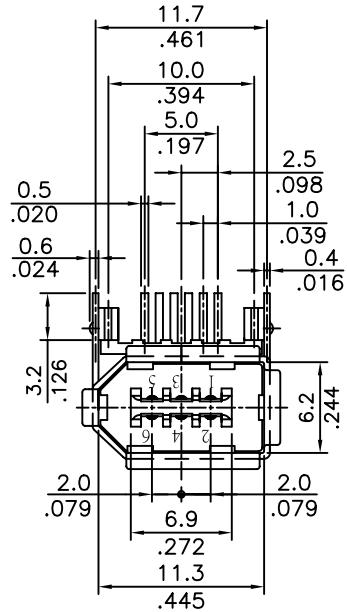
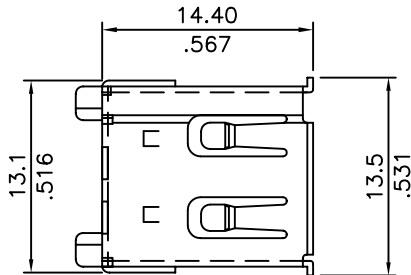
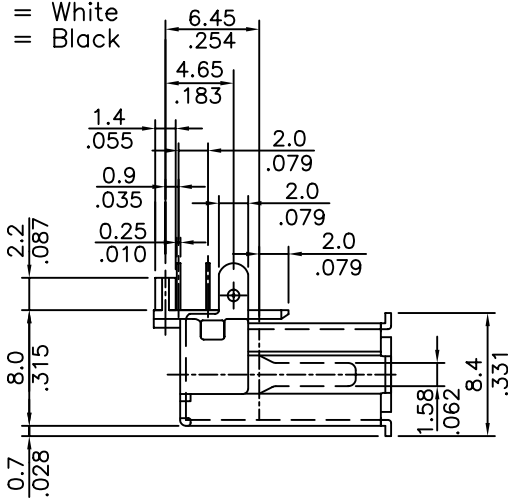
1394 S 06 D * * *
 1 2 3 4 5 6 7

1. Series No.
2. S : Socket
3. No. Of Circuits
06 = 6 Pin
4. Type:
D = Dip Type
5. 1 = Up Type
2 = Down Type

6. Contact plating:
 F = Selective gold over 30~50? nickel overall.
 J = 15? selective gold plated over 30~50? nickel overall.
 k = 30? selective gold plated over 30~50? nickel overall.

7. Color :
 0 = White
 1 = Black

Material :
 * Shell : Brass
 * Housing : P.B.T.
 * Pin : Phos. Bronze



				LECO CORPORATION		APPROVED BY:		PART NO.:			
				GENERAL TOLERANCE		CHECKED BY:		1394S06D***			
				X: ± 2°		DRAW BY:		TITLE:			
				.X ± 0.30 .012		Coco 03/21/'01		SOCKET			
				.XX ± 0.20 .008							
				.XXX ± 0.10 .004				139406S			
A	DWG REL.			.XXX ± 0.1°							
REV.	ECO. NO.	CHG	APPD.			mm	1:1	A4	1/1	A	