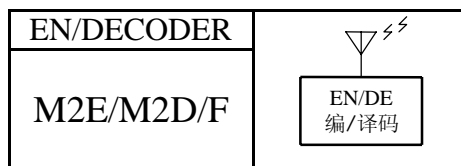




3-STATE 531,441 CODES  
BUILT-IN IR CARRIER  
DIRECT DATA TRANSMIT

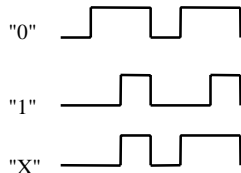
3 态 531,441 码  
内建红外线发射器  
可单键发射



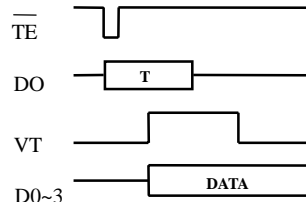
### FEATURES 功能叙述

- Built-in IR carrier — suffix-IR.
- Momentary DATA — suffix-M.
- Direct Data Transmit — suffix-H : Switch to VDD.  
suffix-L : Switch to VSS.
- S.O.Package 20P — suffix-S.

### BIT FORMAT



### PROTOCOL



### APPLICATION 产品应用

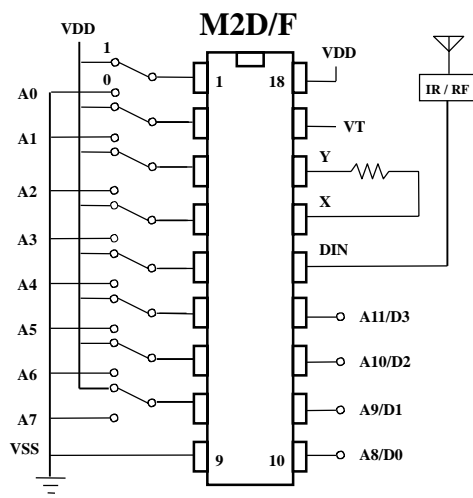
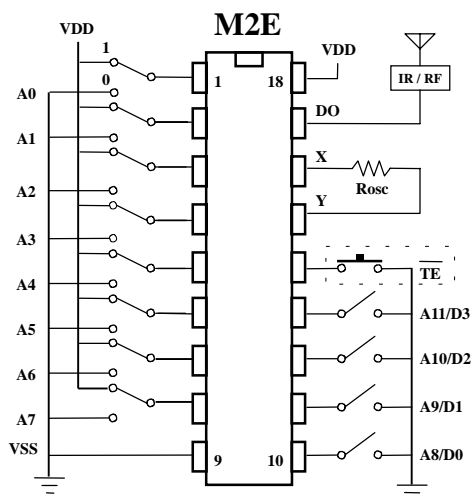
- Security alarm, Remote control. 防盗系统, 任何遥控装置.

### ELECTRICAL CHARACTERISTICS 电气规格

( @V<sub>DD</sub>=5V unless otherwise specified )

Characteristics	Sym.	Min.	Typ.	Max.	Unit	REMARKS
工作电压 Operating Voltage	V <sub>DD</sub>	2.4	—	13	V	
工作电流 Operating Current	I <sub>OP</sub>	—	0.1	1	mA	No load
静态电流 Quiescent Current	I <sub>SB</sub>	—	1	10	uA	
推动电流 Driving Current	I <sub>OL</sub>	—	2	—	mA	@ V <sub>DS</sub> =1.2V
振荡频率 Oscillator Frequency	F <sub>OSC</sub>	—	76	—	KHz	External ± 30%
工作温度 Operating Temperature	Temp.	-20	25	60	°C	

### APPLICATION DIAGRAM 参考电路图



\*All specs and applications shown above subject to change without prior notice.  
( 以上电路及规格仅供参考,本公司得行修正 )