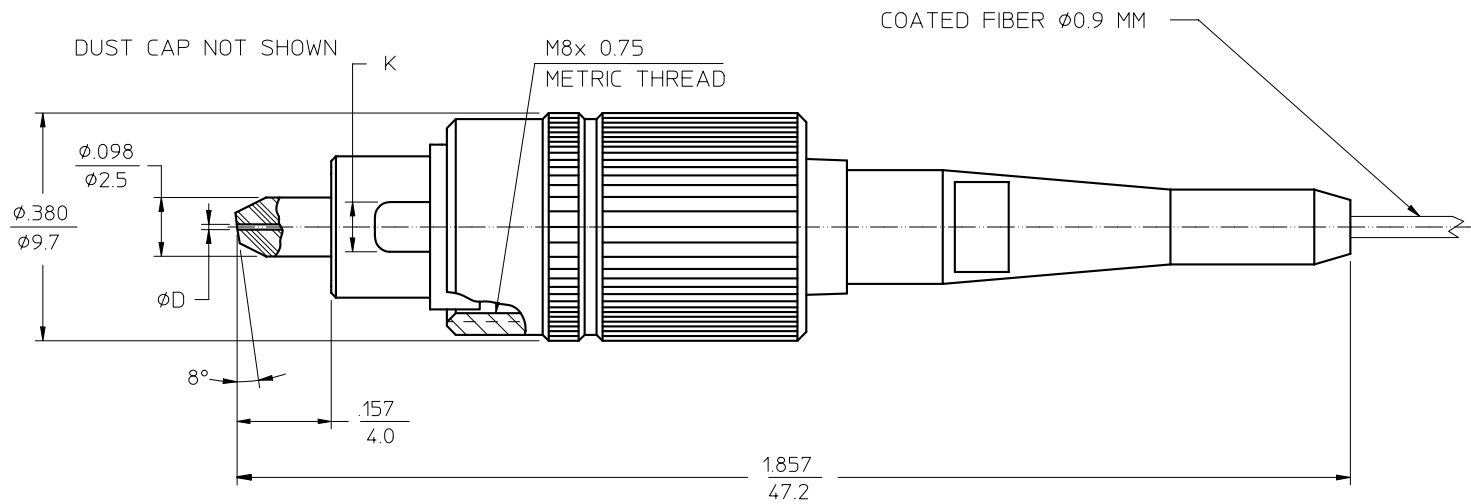


CONNECTOR P/N	φD(mm)	K (KEY)	TYPE OF FIT
86056-4500	.125	$\frac{.083}{2.1}$	STANDARD
86056-5500	.126		
86055-4500	.125	$\frac{.079}{2.0}$	TIGHT
86055-5500	.126		



ALL DIMENSIONS ARE GIVEN IN INCHES
mm



Fiber Optics

Downers Grove, Illinois

RESTRICTED RELEASE
DRAWING MAY CHANGE WITHOUT
CUSTOMER NOTIFICATION

TITLE: FCII APC CONN. (ONE PIECE DESIGN)

Drawing No. 8605X-X500 CD

Size B

Scale 5:1 REV. C

Sheet 1 of 1