

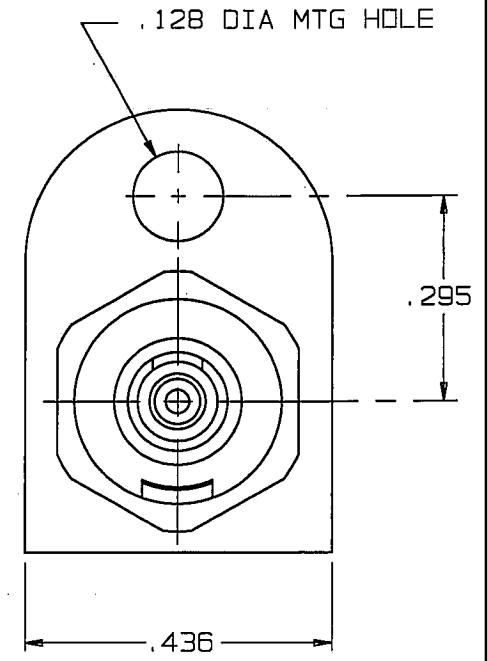
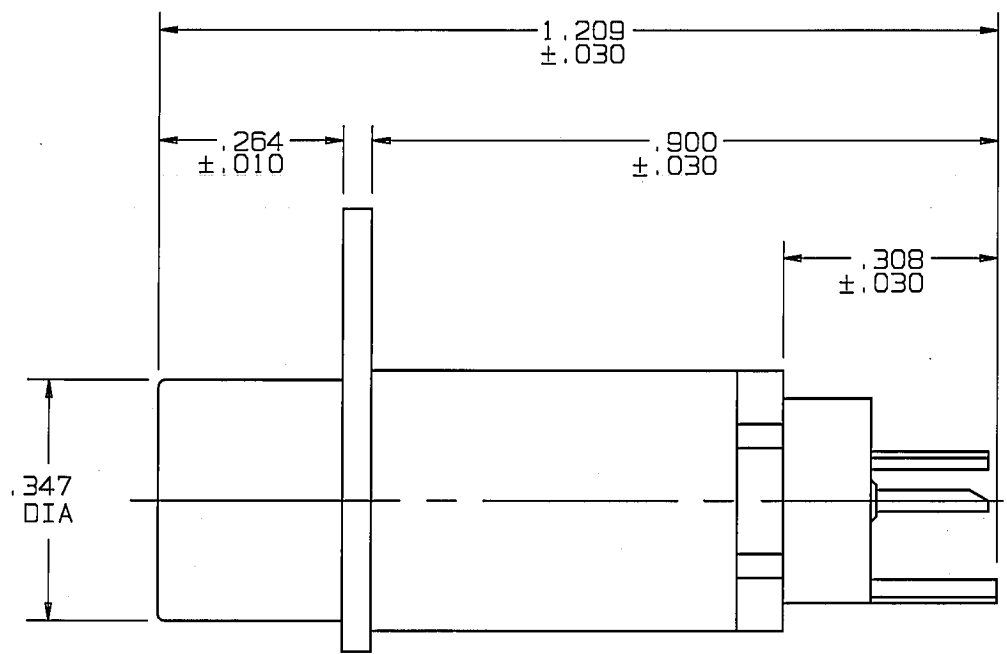
RED INDICATES ORIGINAL

DATA CONTAINED IN THIS DOCUMENT IS PROPRIETARY TO TROMPETER ELECTRONICS INC. AND SHALL NOT BE DISCLOSED, COPIED OR USED FOR PROCUREMENT OR MANUFACTURE WITHOUT EXPRESS WRITTEN PERMISSION.

DWG SIZE
A

REVISIONS			305-0426		SH 1
REV	ED	DESCRIPTION	DWN	APPROVED	DATE
E	11283	SHT 2 ADDED LOCK PIN REQUIREMENT	DKC	<i>Bmi FQ</i>	8/11/95

INCH	MM
.005	0.13
.010	0.25
.030	0.76
.128	3.25
.264	6.71
.295	7.49
.308	7.82
.347	8.81
.436	11.07
.900	22.86
1.209	30.71



3. SUBMINIATURE CONCENTRIC TWIAXIAL/TRIAXIAL PATCH JACK WITH REAR SOLDER LUGS
2. FINISH: TFS-1A (NICKEL)
1. ALL DIM ARE IN INCHES

NEXT ASSY

QTY	DESCRIPTION		PART NUMBER	ITEM
TOL UNLESS SPECIFIED		TROMPETER ELECTRONICS, INC.	J150D SPECIAL	
.XX ± .XXX ± .005 .XXXX ± ANGLES ±				
DWN	DKC	7-21-95	MATERIAL	CODE IDENT
CHK	<i>Bmi</i>	8-10-95	—	14949
ENGR	—	—	—	305-0426
APPR	<i>FQ</i>	8/10/95	SCALE 4/1	DATE 7/15/80
			DATE 7/15/80	SHEET 1 OF 6