

LH2110/LH2310 Dual Voltage Follower

FEATURES

- Low input current - 1 nA
- High input resistance - 10 MΩ
- High slew rate - 30V/μs
- Wide bandwidth - 20 MHz
- Wide operating supply range - ±5V to ±18V
- Output short circuit protected.

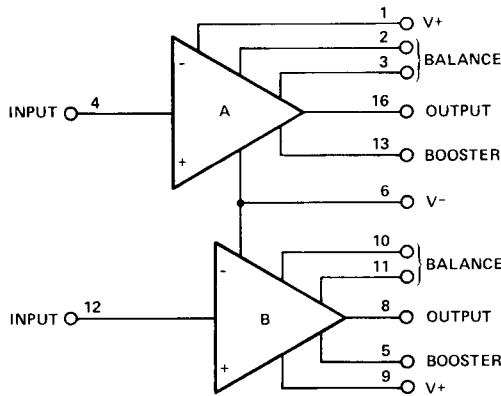
GENERAL DESCRIPTION

The LH2110 series of dual voltage followers consist of two LM110 type followers in a single hermetic package. Featuring all the same performance characteristics of the single, these duals offer in addition closer thermal tracking, lower weight, and reduced insertion cost.

The LH2110 is specified for operation over the -55°C to +125°C military temperature range, and the LH2310 is specified for operation from 0°C to +70°C.

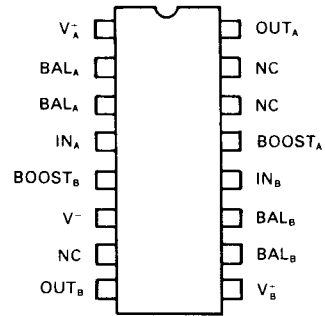
5

CONNECTION DIAGRAM



ORDER NUMBER LH2110D or LH2310D

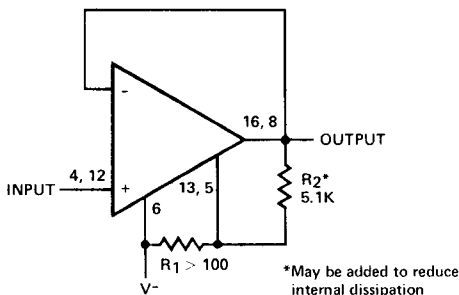
PIN CONFIGURATION



(outline dwg DE)

AUXILIARY CIRCUITS

INCREASING NEGATIVE SWING UNDER LOAD



OFFSET BALANCING CIRCUIT

