

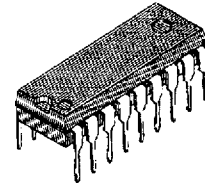
MB40778

1 CHANNEL 8-BIT D/A CONVERTER

1 CHANNEL 8-BIT D/A CONVERTER (20MSPS)

The Fujitsu MB40778 is an 8-bit, low power, ultra-high speed D/A converter fabricated with Fujitsu Advanced Bipolar Technology. The MB40778 can convert 8-bit digital signals into analog signals at a rate of DC to 20 mega-samples/sec (MSPS). Because of such high speed operation, the MB40778 is suitable for applications such as digital color TV, video processing with computer, and radar signal processing.

- Resolution : 8 bits
- Linearity : $\pm 0.2\%$ max.
- Maximum Conversion Rate : 20MSPS min.
- Analog Output Voltage range : V_{CC} to $V_{CC} - 1(V)$
- Digital I/O level : TTL Compatible
- Single Power Supply : +5V
- Power Dissipation : 250mW typ.
- Standard 18-pin DIP Package (Suffix: -P)
- Standard 20-pin FPT Package (Suffix: -PF)



PLASTIC PACKAGE
DIP-18P-M02



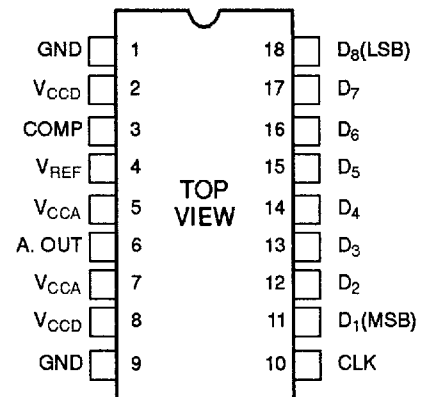
PLASTIC PACKAGE
FPT-20P-M01

ABSOLUTE MAXIMUM RATINGS (see NOTE)

| Rating | Symbol | Value | Unit |
|--------------------------|------------------------|------------------------|------|
| Power Supply Voltage | V_{CCA} V_{CCD} | -0.5 to +7.0 | V |
| Digital Input Voltage | V_{IND} | -0.5 to +7.0 | V |
| Analog Reference Voltage | V_{REF} | 3.70 to $V_{CC} + 0.5$ | V |
| Storage Temperature | T_{STG} | - 55 to +125 | °C |

Note: Permanent device damage may occur if the above **Absolute Maximum Ratings** are exceeded. Functional operation should be restricted to the conditions as detailed in the operational sections of this data sheet. Exposure to absolute maximum rating conditions for extended periods may affect device reliability.

PIN ASSIGNMENT



(DIP-18P-M02)

See P.2 for FPT Package

This device contains circuitry to protect the inputs against damage due to high static voltages or electric fields. However, it is advised that normal precautions be taken to avoid application of any voltage higher than maximum rated voltages to this high impedance circuit.

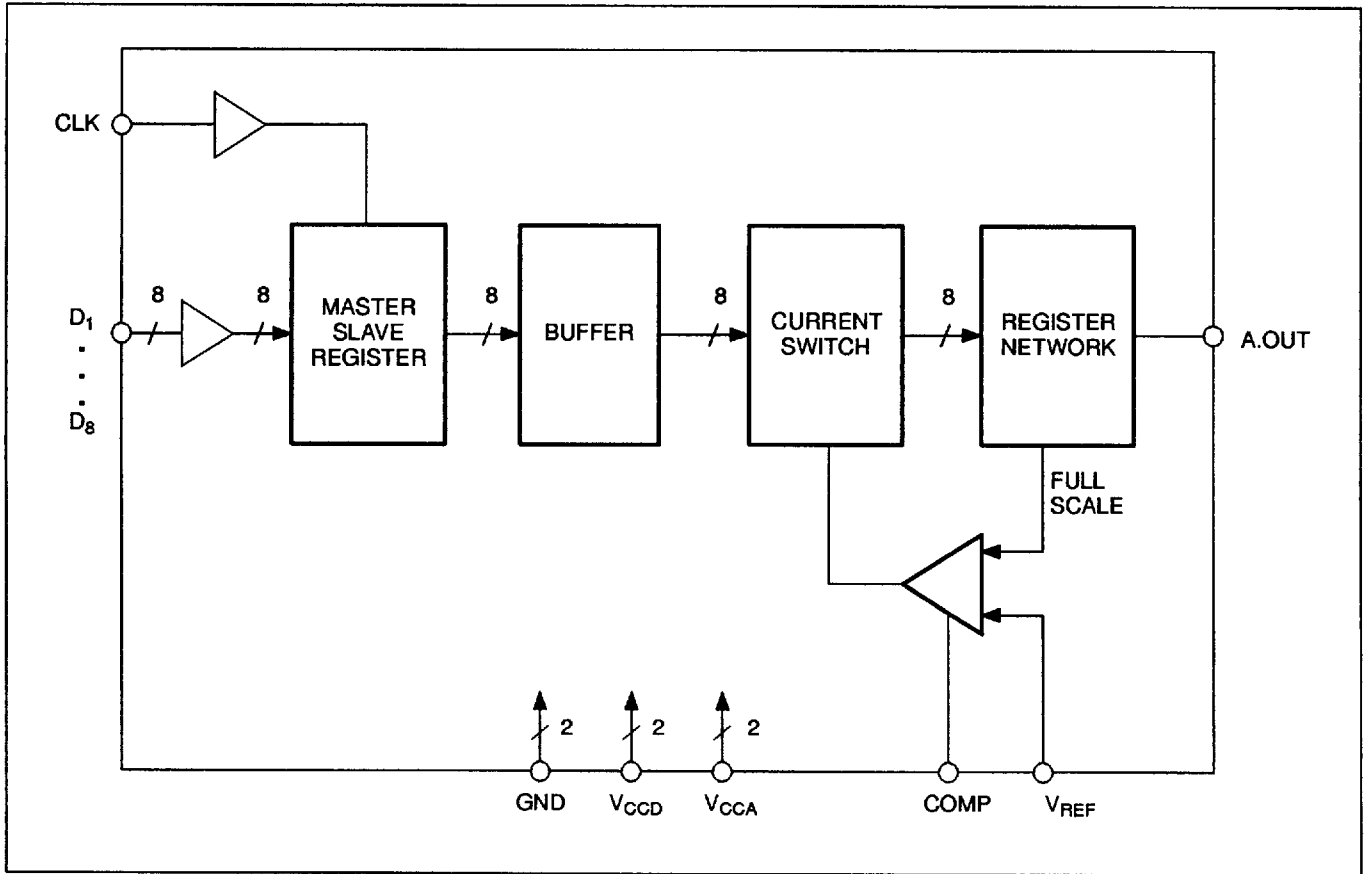


Figure 1. MB40778H Block Diagram

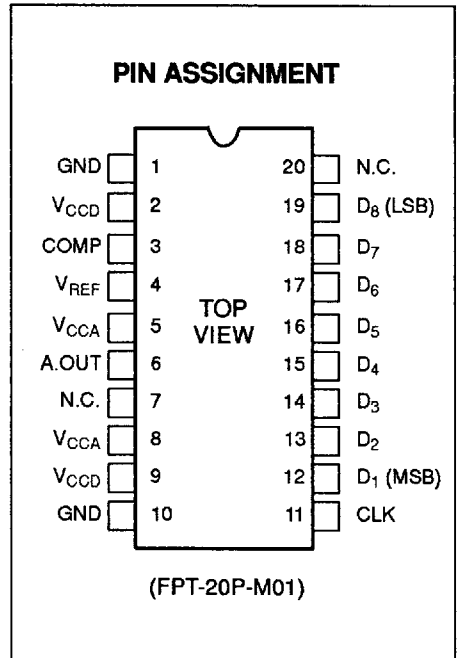
RECOMMENDED OPERATING CONDITIONS

| Parameter | Symbol | Value | | | Unit |
|---|--------------------------------------|-------|------|------|------|
| | | Min. | Typ. | Max. | |
| Power Supply Voltage | V _{CCA} V _{CCD} | 4.75 | 5.00 | 5.25 | V |
| Analog Reference Voltage ¹ | V _{REF} | 3.70 | 4.00 | 4.30 | V |
| Clock Pulse Width at High level | t _{W+} | 25 | | | ns |
| Clock Pulse Width at Low level | t _{W-} | 25 | | | ns |
| Data Setup Time | t _s | 12.5 | | | ns |
| Data Hold Time | t _h | 12.5 | | | ns |
| Operating Temperature | T _A | 0 | | 70 | °C |
| Phase Compensation Capacitance ² | C _{COMP} | 1 | | | μF |

Note:

- V_{CC} - V_{REF} ≤ 1.2V.
- The capacitor should be connected between COMP and GND.

PIN ASSIGNMENT



ELECTRICAL CHARACTERISTICS

ANALOG DC CHARACTERISTICS

 $(V_{CC} = 4.75 \text{ to } 5.25\text{V}, T_A = 0 \text{ to } 70^\circ\text{C})$

| Parameter | Symbol | Condition | Value | | | Unit |
|----------------------------------|-----------|---|-------------------|-----------|-------------------|---------------|
| | | | Min. | Typ. | Max. | |
| Resolution | | | | | 8 | bits |
| Linearity Error | LE | DC | | | ± 0.2 | % |
| Full-Scale Analog Output Voltage | V_{OFS} | $V_{CC} = 5.000\text{V}$ $V_{REF} = 3.976\text{V}$ | $V_{CCA} - 0.015$ | V_{CCA} | $V_{CCA} + 0.015$ | V |
| Zero-Scale Analog Output Voltage | V_{OZS} | $V_{CC} = 5.000\text{V}$ $V_{REF} = 3.976\text{V}$ | 3.919 | 3.980 | 4.042 | V |
| Reference Current | I_{REF} | $V_{REF} = 4.00\text{V}$ | | | 10 | μA |
| Output Impedance | Z_{OUT} | $T_A = 25^\circ\text{C}$ | 70 | 80 | 90 | Ω |

DIGITAL DC CHARACTERISTICS

 $(V_{CC} = 4.75 \text{ to } 5.25\text{V}, T_A = 0 \text{ to } 70^\circ\text{C})$

| Parameter | Symbol | Condition | Value | | | Unit |
|--------------------------|-----------|---|-------|------|------|---------------|
| | | | Min. | Typ. | Max. | |
| High-level Input Voltage | V_{IHD} | | 2.0 | | | V |
| Low-level Input Voltage | V_{ILD} | | | | 0.8 | V |
| Maximum Input Current | I_{ID} | $V_{CC} = 5.25\text{V}$ $V_{ID} = 7.00\text{V}$ | | 0 | 100 | μA |
| High-level Input Current | I_{IHD} | $V_{CC} = 5.25\text{V}$ $V_{IHD} = 2.70\text{V}$ | | 0 | 20 | μA |
| Low-level Input Current | I_{ILD} | $V_{CC} = 5.25\text{V}$ $V_{ILD} = 0.40\text{V}$ | -400 | -40 | | μA |
| Power Supply Current | I_{CC} | $V_{REF} = 4.05\text{V}$ | | 50° | 75 | mA |

Note: * $V_{CC} = 5.00\text{V}$, $V_{REF} = 4.00\text{V}$.

SWITCHING CHARACTERISTICS

 $(V_{CC} = 4.75 \text{ to } 5.25\text{V}, T_A = 0 \text{ to } 70^\circ\text{C})$

| Parameter | Symbol | Condition | Value | | | Unit |
|-------------------------|--------|-----------|-------|------|------|------|
| | | | Min. | Typ. | Max. | |
| Maximum Conversion Rate | FS | | 20 | 30 | | MSPS |

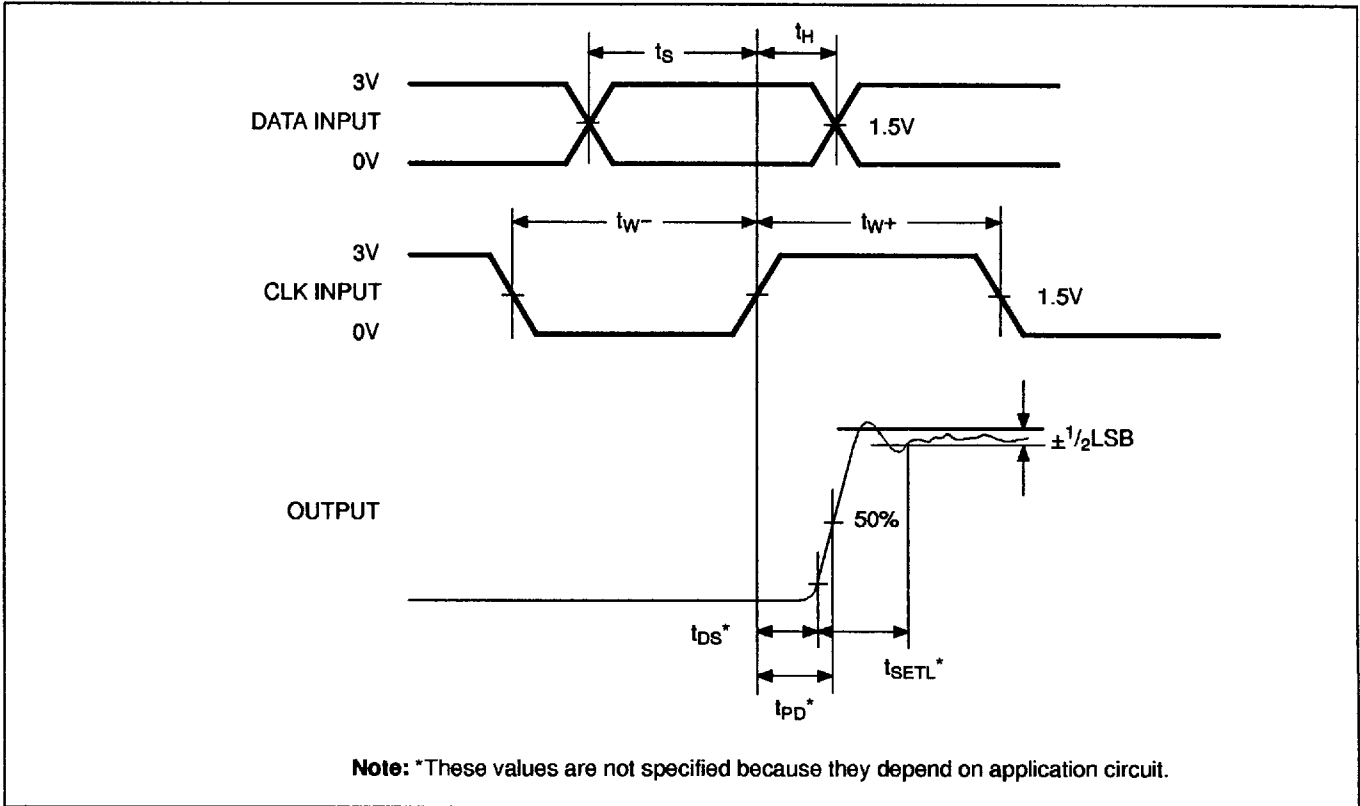


Figure 2. Timing Diagram

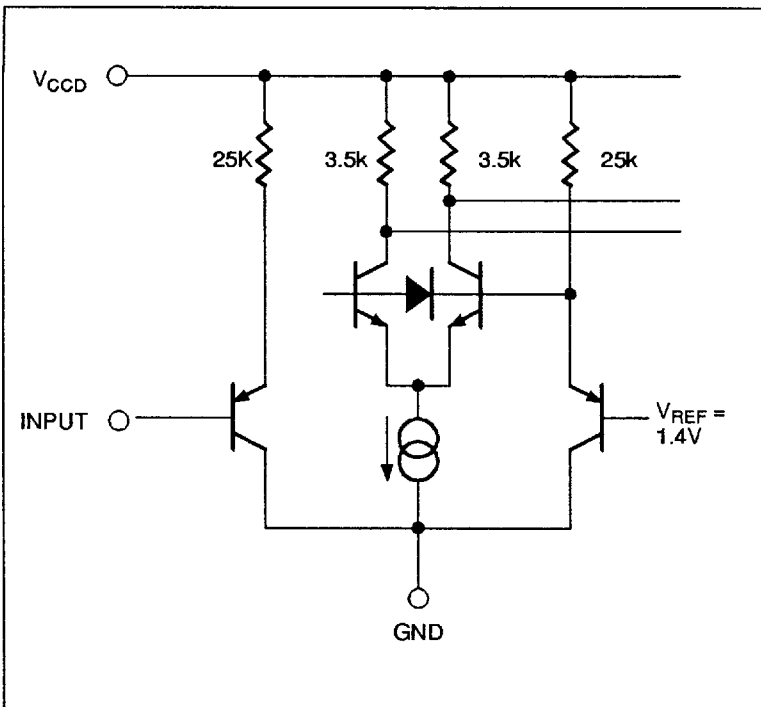


Figure 3. Digital Input Equivalent Circuit

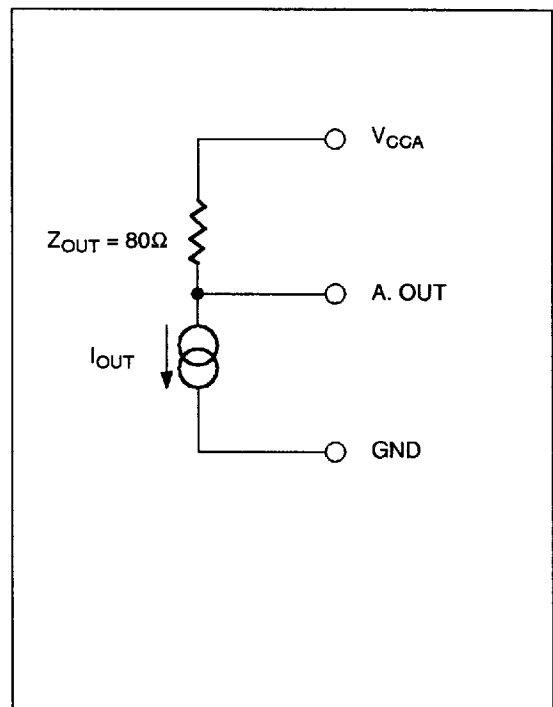
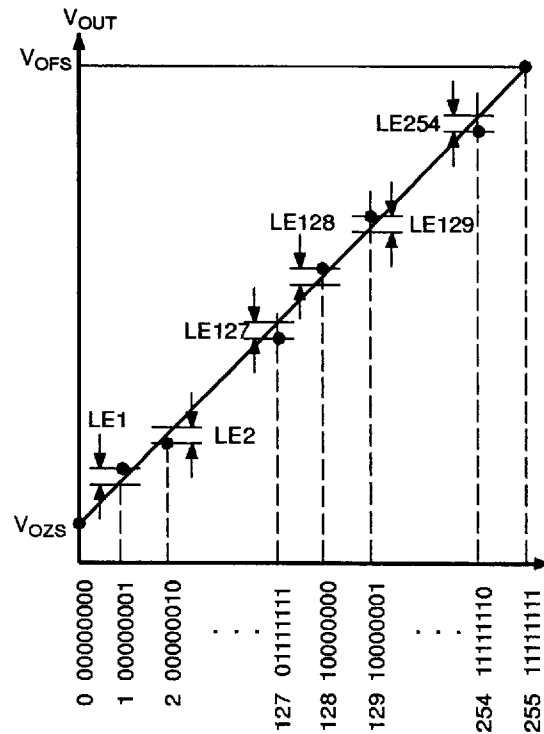
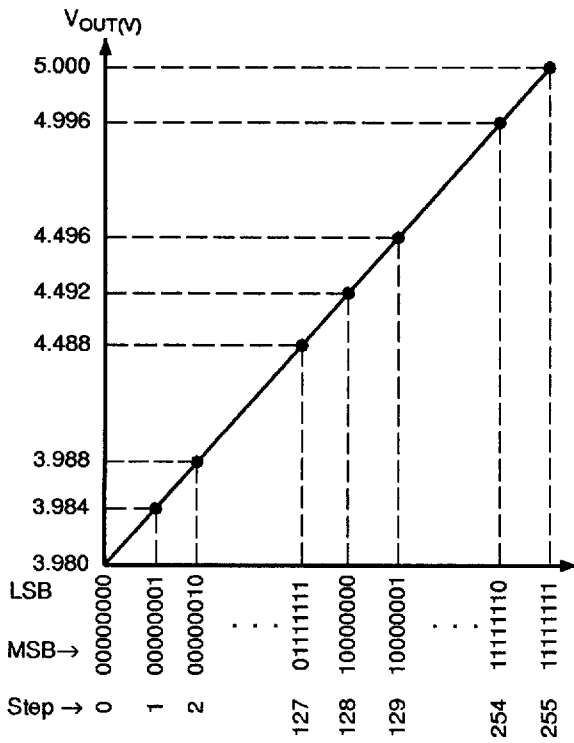


Figure 4. Output Equivalent Circuit

OUTPUT VOLTAGE

($V_{CCA} = 5.000V$, $V_{REF} = 3.976V$)

| Step | Input Code | Output Voltage (V) |
|------|------------|--------------------|
| 0 | 00000000 | 3.980 |
| 1 | 00000001 | 3.984 |
| | ⋮ | ⋮ |
| | ⋮ | ⋮ |
| 127 | 01111111 | 4.488 |
| 128 | 10000000 | 4.492 |
| 129 | 10000001 | 4.496 |
| | ⋮ | ⋮ |
| | ⋮ | ⋮ |
| 254 | 11111110 | 4.996 |
| 255 | 11111111 | 5.000 |

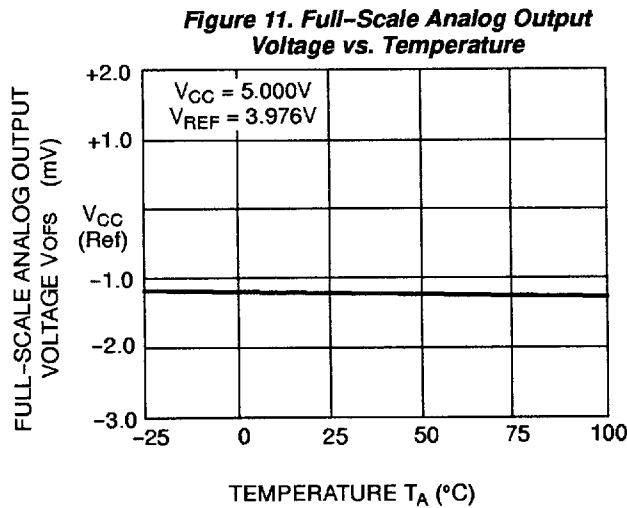
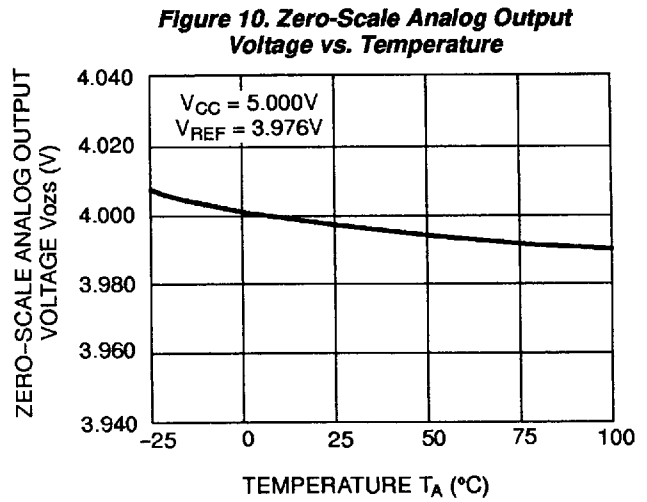
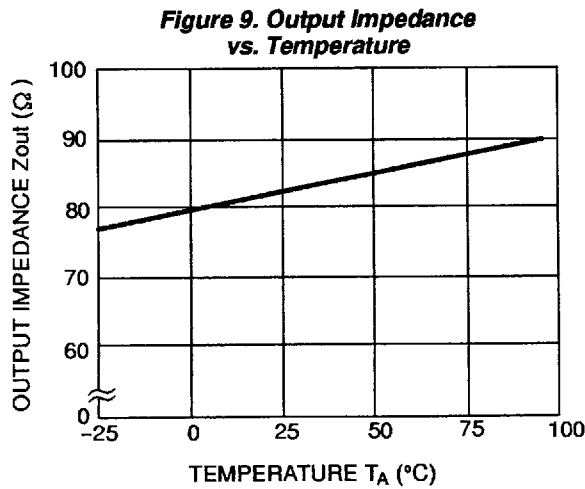
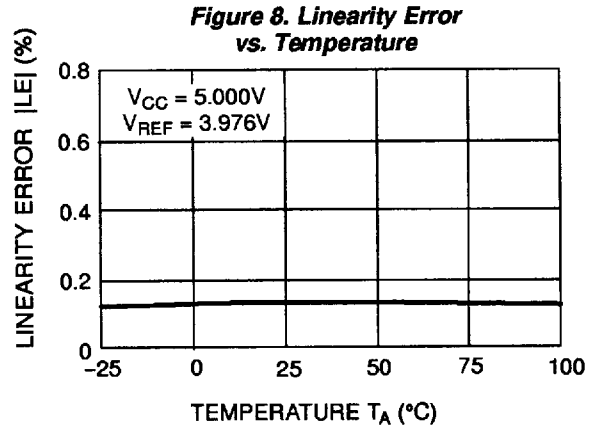
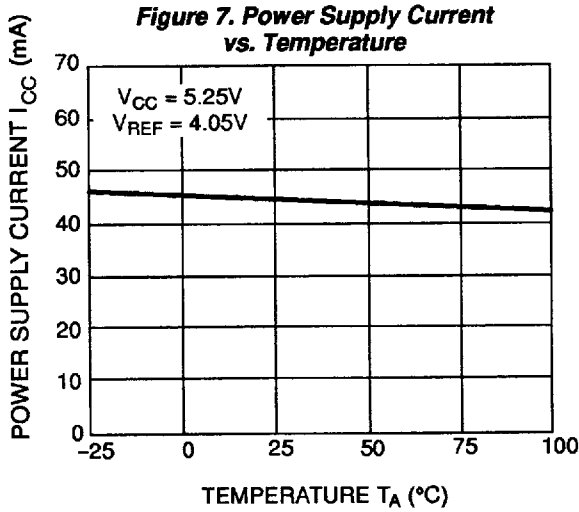


$$\text{Linearity Error} = \frac{|LE_n|_{\max}}{|FS|}$$

Figure 5. Ideal Output Operation

Figure 6. Practical Output Operation

TYPICAL CHARACTERISTIC CURVES



TYPICAL CHARACTERISTIC CURVES (Continued)

Figure 12. Delay Time vs. Temperature

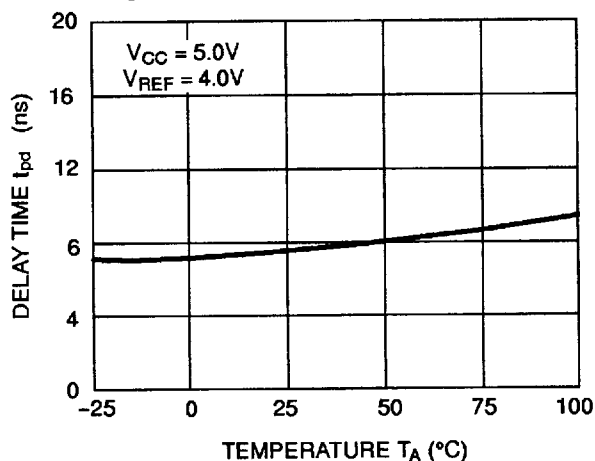


Figure 13. Delay Time vs. Power Supply Voltage

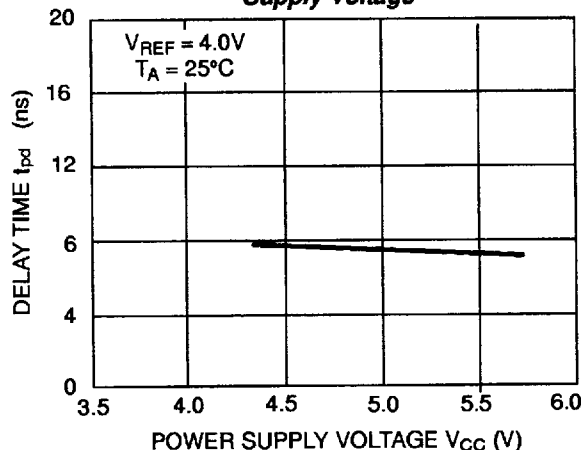


Figure 14. Clock Pulse Width vs. Temperature

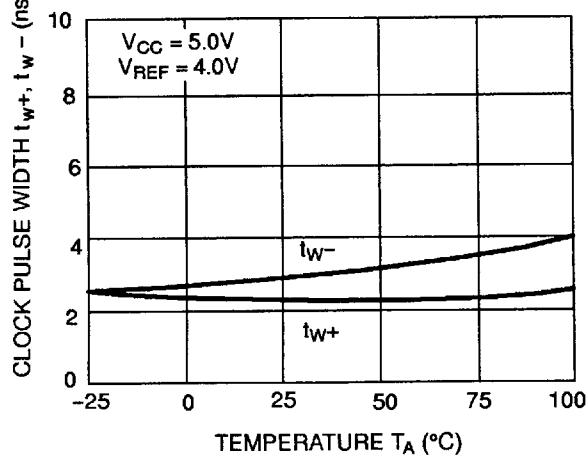


Figure 15. Clock Pulse Width vs. Power Supply Voltage

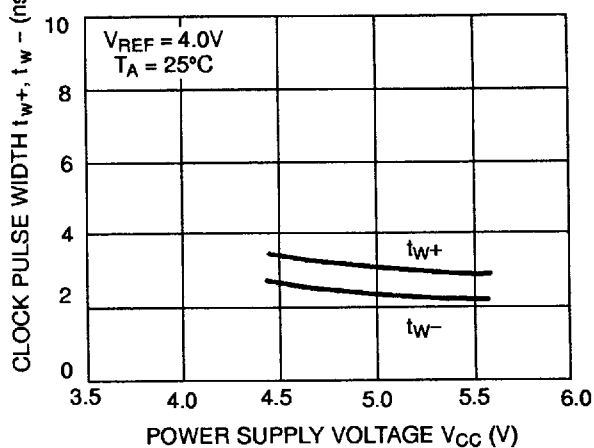
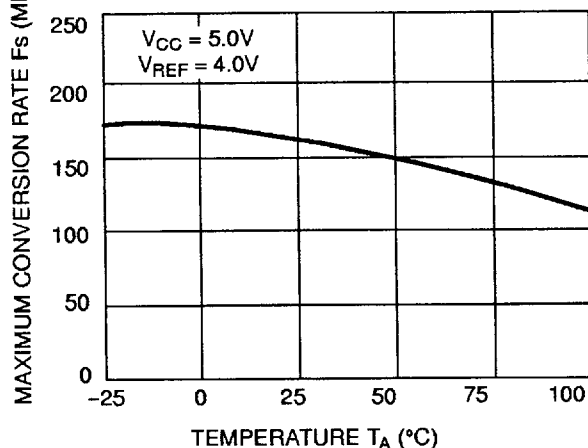
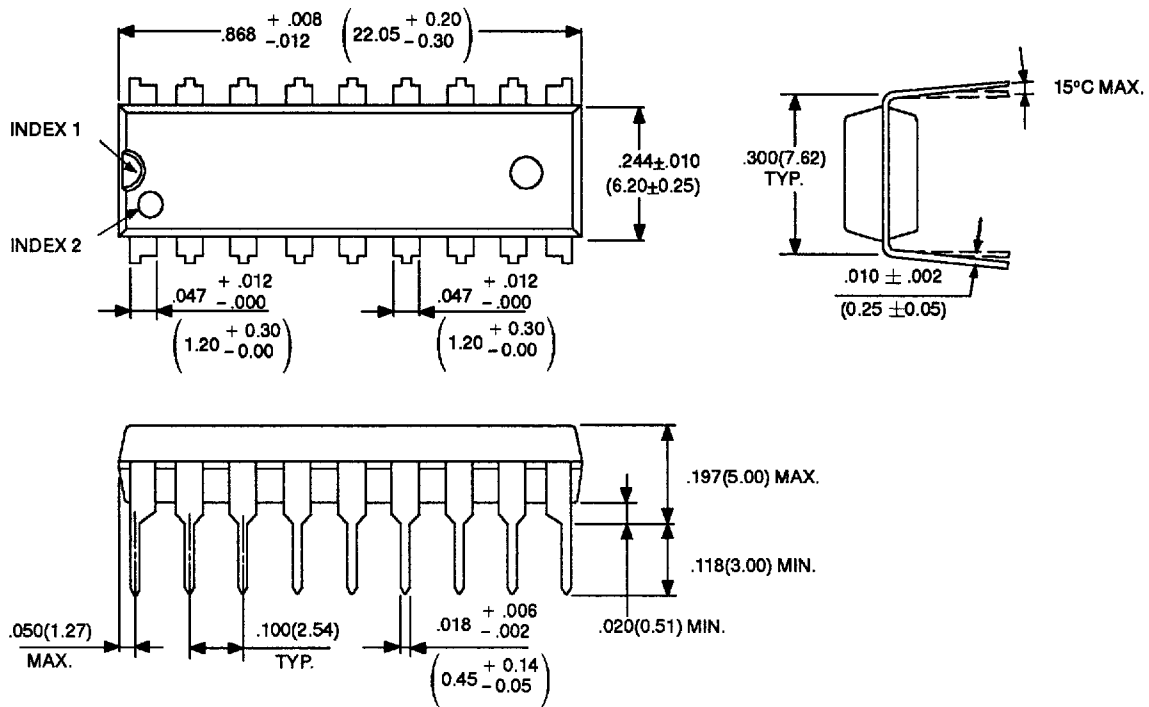


Figure 16. Maximum Conversion Rate vs. Temperature



PACKAGE DIMENSIONS

18-LEAD PLASTIC DUAL IN-LINE PACKAGE
(CASE No.: DIP-18P-M02)

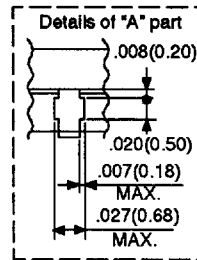
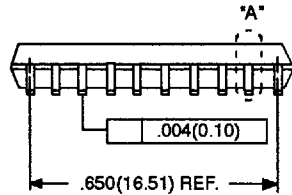
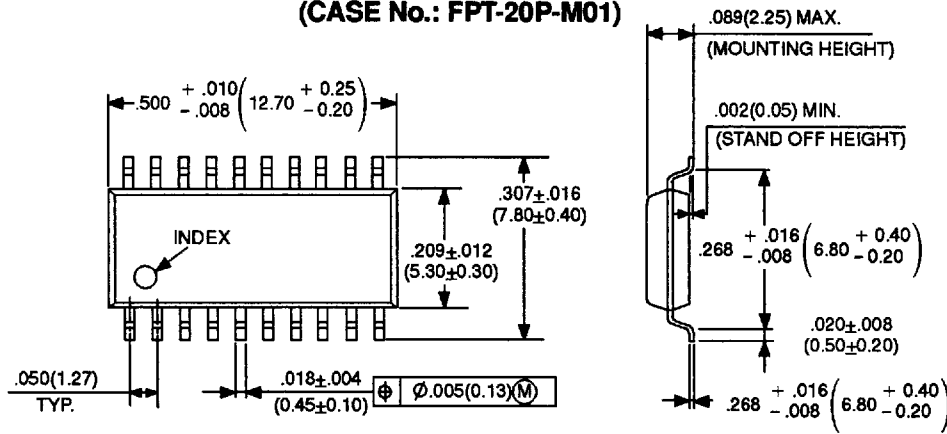


© 1988 FUJITSU LIMITED D18009S-3C

Dimensions in inches (millimeters)

PACKAGE DIMENSIONS (Continued)

20-LEAD PLASTIC FLAT PACKAGE
(CASE No.: FPT-20P-M01)



© 1990 FUJITSU LIMITED F20003S-5C

Dimensions in inches (millimeters)