

Data Sheet

PC Quick-Fit Terminal 4.8x0.8mm Brass tinned with hole ø3.7mm

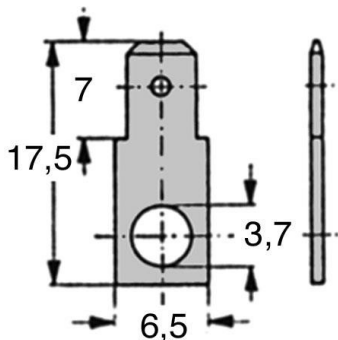
Part No.: 019.48.237



Finish :	Tin-Plated
Mounting Hole [mm] :	3,7
Material :	Brass
Version :	4,8x0,8 mm
Design :	Straight
Plug-In Length [mm] :	7
Width [mm] :	6,5
Weight per 100 pcs :	58 g
Customs tariff number :	85366990
Conformities :	



Image for illustrative purposes only.



All information is available online
on our detail product page!

Looking for some advice for your specific situation?
If so, please don't hesitate to e-mail us at products@ettinger.de

Subject to changes and errors.