

# 1 DIGITAL Semiconductor 21143 Overview

The DIGITAL Semiconductor 21143 PCI/CardBus 10/100-Mb/s Ethernet LAN Controller (21143) supports the peripheral component interconnect (PCI) bus or CardBus. It provides a direct interface connection to the PCI bus and adapts easily to the CardBus and most other standard buses. The 21143 software interface and data structures are optimized to minimize the host CPU load and to allow for maximum flexibility in the buffer descriptor management. The 21143 contains large onchip FIFOs, so no additional onboard memory is required. The 21143 also provides an upgradable boot ROM interface.

## 1.1 General Description

The 21143 interfaces with the PCI bus by using onchip control and status registers (CSRs), and a shared CPU memory area that is set up mainly during initialization. This minimizes the processor involvement in the 21143 operation during normal reception and transmission. The 21143 is compliant with the *PCI Local Bus Specification, Revision 2.0* and the *PCI Local Bus Specification, Revision 2.1*. Bus traffic is minimized by filtering out received runt frames and by automatically retransmitting collided frames without needing to repeat a fetch from shared memory.

The 21143 provides three network ports: a 10BASE-T 10-Mb/s port, an attachment unit interface (AUI) 10-Mb/s port, and a media-independent/symbol interface (MII/SYM) 10/100-Mb/s port. The 10BASE-T port provides a direct Ethernet connection to the twisted-pair (TP) interface. The AUI port provides a direct Ethernet connection to the AUI. The 10/100-Mb/s port supports two operational modes:

- MII mode—A full implementation of the MII standard
- SYM mode—Symbol interface to an external 10/100-Mb/s front-end decoder (ENDEC). In this mode the 21143 uses an onchip physical coding sublayer (PCS) and a scrambler/descrambler circuit to enable a low-cost 100BASE-T implementation.

The 21143 is capable of functioning in a full-duplex environment for the MII/SYM and 10BASE-T ports.

## Features

### 1.2 Features

The 21143 has the following features:

- Contains onchip PCS and scrambler/descrambler for 100BASE-TX
- Contains onchip integrated AUI port and a 10BASE-T transceiver
- Supports autodetection between 10BASE-T, AUI, and MII/SYM ports
- Supports IEEE 802.3 autonegotiation algorithm of full-duplex and half-duplex operation for 10 and 100 Mb/s (NWAY)
- Contains large independent receive and transmit FIFOs
- Provides an upgradable boot ROM interface up to 256KB
- Supports PCI and CardBus interfaces
- Supports the advanced PCI read multiple, read line, and write and invalidate commands
- Includes a powerful onchip direct memory access (DMA) with programmable burst size, providing low CPU utilization
- Supports an unlimited PCI burst
- Supports early interrupt on transmit and receive
- Contains a variety of flexible address filtering modes
- Offers a unique, patented solution to Ethernet capture-effect problem
- Supports PCI clock speed frequency from dc to 33 MHz; network operation with PCI clock from 20 MHz to 33 MHz
- Supports automatic loading of subvendor ID and CardBus card information structure (CIS) pointer from serial ROM to configuration registers
- Supports big or little endian byte ordering for buffers and descriptors
- Supports full-duplex operation on both MII/SYM and 10BASE-T ports
- Implements low-power management with two power-saving modes (sleep and snooze)
  - Powers up in sleep mode
  - Requires less than 70 mA of supply current after power-up
- Provides internal and external loopback capability on all network ports

## Microarchitecture

- Provides MicroWire interface for serial ROM (1K and 4K EEPROM)
- Provides LED support for various network activity indications
- Supports interrupts from two general-purpose pins
- Implements test-access port (JTAG-compatible) with boundary-scan pins
- Implements low-power, 3.3-V CMOS technology
- Enables automatic detection and correction of 10BASE-T receive polarity
- Implements unique, patent-pending intelligent arbitration between DMA channels to minimize underflow or overflow
- Supports three network ports: 10BASE-T (10 Mb/s), AUI (10 Mb/s), and MII/SYM (10/100 Mb/s)
- Contains a 4-bit, general-purpose programmable register and corresponding I/O pins
- Supports IEEE 802.3 and ANSI 8802-3 Ethernet standards
- Supports remote wake-up-LAN, which is a feature based upon Advanced Micro Device's Magic Packet technology that allows sleeping workstations to be remotely powered up.<sup>1</sup>
- Supports SecureON, which is a security feature that can be added to the Advanced Micro Device's Magic Packet technology.<sup>1</sup>

### 1.3 Microarchitecture

The following list describes the 21143 hardware components, and Figure 1 shows a block diagram of the 21143:

- PCI/CardBus interface—Includes all interface functions to the PCI bus; handles all interconnect control signals; and executes DMA and I/O transactions
- Boot ROM port—Provides an interface to perform read and write operations to the boot ROM; supports accesses to bytes or longwords (32-bit); and provides the ability to connect an external 8-bit register to the boot ROM port
- Serial ROM port—Provides a direct interface to a MicroWire ROM for storage of the Ethernet address and system parameters

---

<sup>1</sup>This feature is not supported on the 21143-PA and the 21143-TA.

## Microarchitecture

- General-purpose register—Enables software use for input or output functions and LEDs
- DMA—Contains independent receive and transmit controllers; handles data transfers between CPU memory and onchip memory
- FIFOs—Contains independent FIFOs for receive and transmit; supports automatic packet deletion on receive (runt packets or after a collision) and packet retransmission after a collision on transmit
- RxM—Handles all CSMA/CD<sup>1</sup> receive operations, and transfers the network data from the ENDEC to the receive FIFO
- TxM—Handles all CSMA/CD MAC<sup>2</sup> transmit operations, and transfers data from transmit FIFO to the ENDEC for transmission
- SIA interface—Performs 10-Mb/s physical layer network operations; implements the AUI and 10BASE-T functions, including the Manchester encoder and decoder functions
- NWAY—Implements the IEEE 802.3 autonegotiation algorithm
- Physical coding sublayer—Implements the encoding and decoding sublayer of the 100BASE-TX (CAT5) specification, including the squelch feature
- Scrambler/descrambler—Implements the twisted-pair physical layer medium dependent (TP-PMD) scrambler/descrambler scheme for 100BASE-TX
- Three network interfaces—an AUI interface, a 10BASE-T interface, and an MII/SYM interface provide a full MII signal interface and direct interface to the 100-Mb/s ENDEC for CAT5.
- Remote wake-up-LAN—Mechanism that powers up a sleeping workstation upon receiving a Magic Packet.<sup>3</sup>
- SecureON—Enables a password-security feature that can be added to the Magic Packet and an attack-limiter circuit for limiting the number of invalid passwords.<sup>3</sup>

---

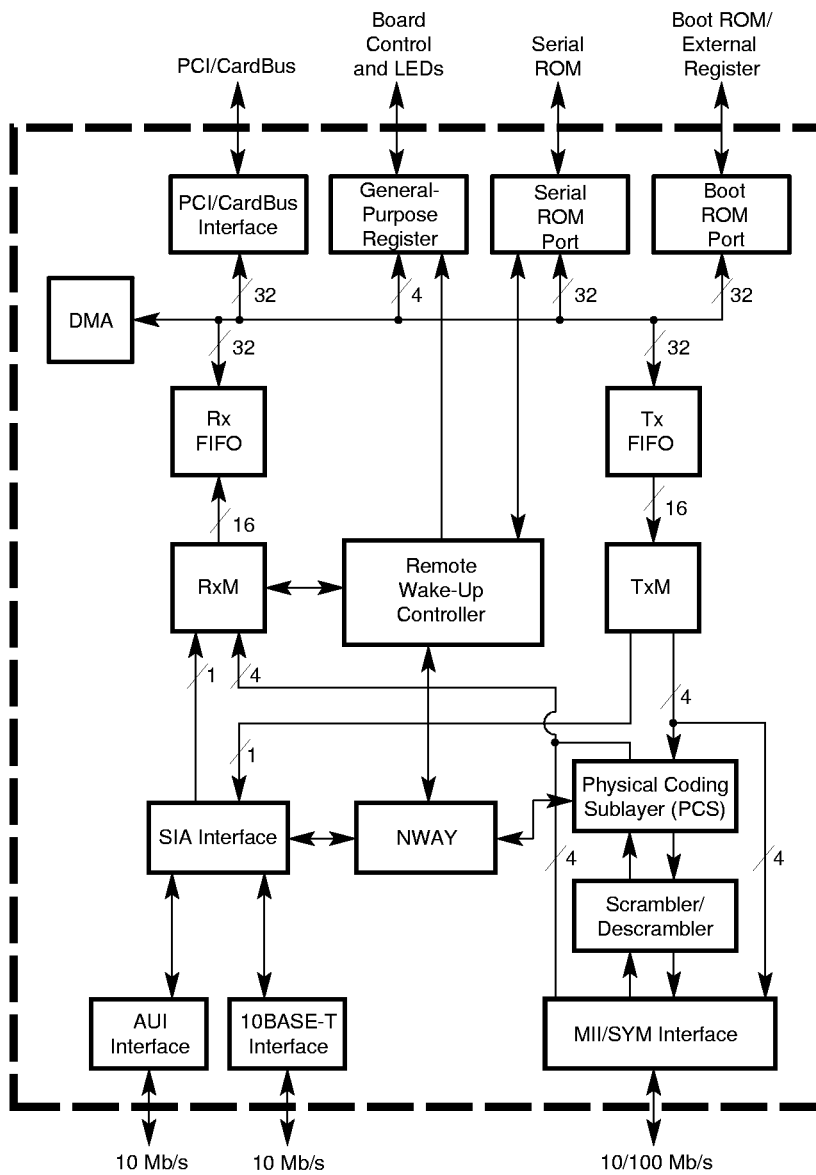
<sup>1</sup>Carrier-sense multiple access with collision detection

<sup>2</sup>Media access control

<sup>3</sup>This feature is not supported on the 21143-PA and the 21143-TA.

## Microarchitecture

Figure 1 21143 Block Diagram



FM-06117.A14

## 2 Pinout

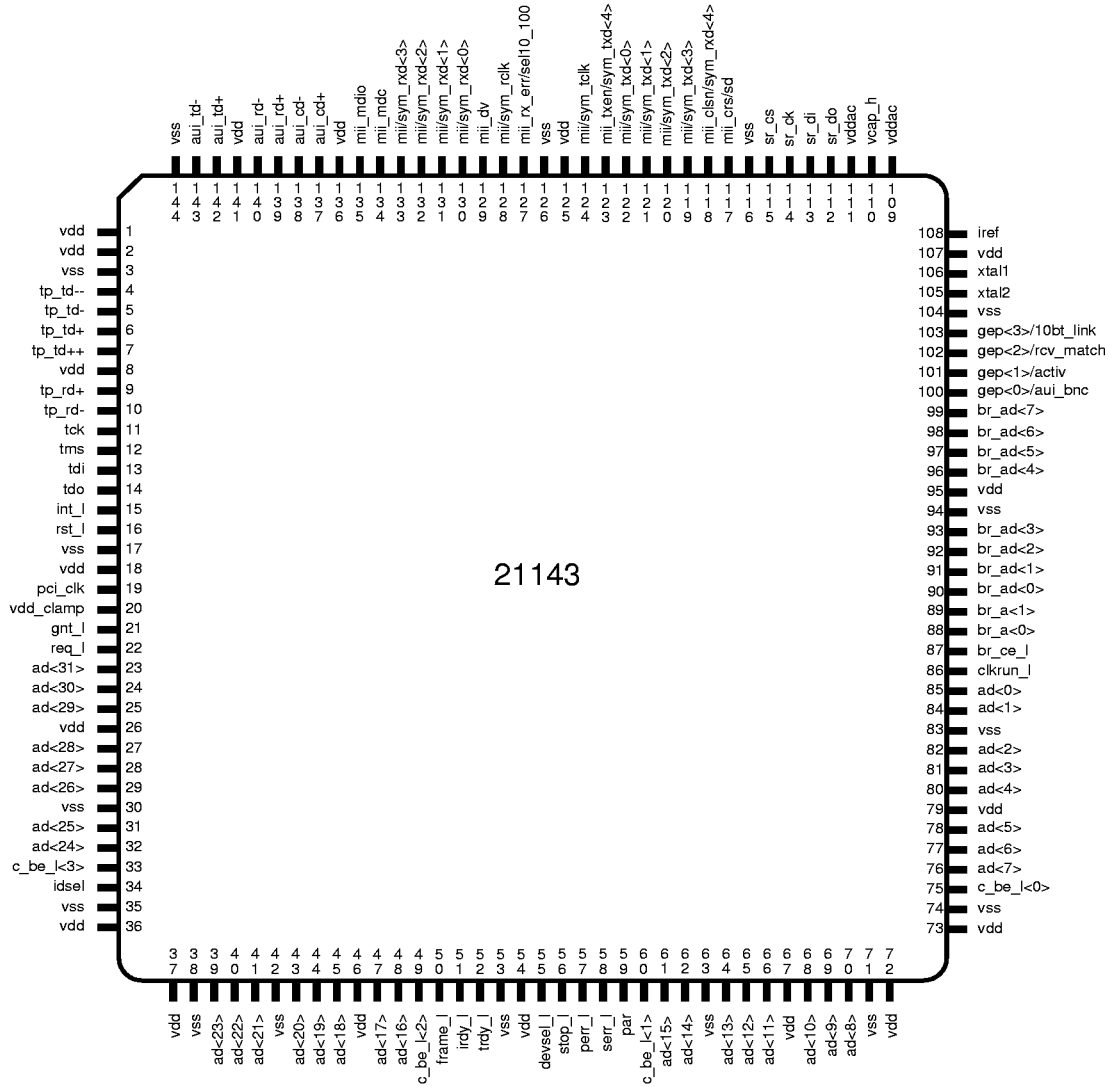
The 21143 is offered in two package styles: a 144-pin plastic quad flat pack (PQFP) and a 144-pin thin quad flat pack (TQFP). The tables in this section provide a description of the pins and their respective signal definitions.

Table 1 lists the tables in this section. Figure 2 shows the 21143 pinout for both the PQFP and TQFP package types.

**Table 1 Index to Pinout Tables**

<b>For this information...</b>	<b>Refer to...</b>
Logic signals	Table 2
Power pins	Table 3
Functional signals description	Table 4
Input pins	Table 5
Output pins	Table 6
Input/output pins	Table 7
Open drain pins	Table 8
Signal functions	Table 9

Figure 2 21143 Pinout Diagram (Top View)



LJ-04940.A14

## Signal Reference Tables

### 2.1 Signal Reference Tables

Table 2 provides an alphabetical list of the 21143 logic names and their pin numbers.

Table 3 provides a list of the 21143 power pin numbers.

**Table 2 Logic Signals**

*(Sheet 1 of 2)*

Signal	Pin Number	Signal	Pin Number	Signal	Pin Number
ad<0>	85	ad<24>	32	br_ce_l	87
ad<1>	84	ad<25>	31	c_be_l<0>	75
ad<2>	82	ad<26>	29	c_be_l<1>	60
ad<3>	81	ad<27>	28	c_be_l<2>	49
ad<4>	80	ad<28>	27	c_be_l<3>	33
ad<5>	78	ad<29>	25	clkrun_l	86
ad<6>	77	ad<30>	24	devsel_l	55
ad<7>	76	ad<31>	23	frame_l	50
ad<8>	70	au_i_cd-	138	gep<0>/au_i_bnc	100
ad<9>	69	au_i_cd+	137	gep<1>/activ	101
ad<10>	68	au_i_rd-	140	gep<2>/rcv_match	102
ad<11>	66	au_i_rd+	139	gep<3>/10bt_link	103
ad<12>	65	au_i_td-	143	gnt_l	21
ad<13>	64	au_i_td+	142	idsel	34
ad<14>	62	br_a<0>	88	int_l	15
ad<15>	61	br_a<1>	89	irdy_l	51
ad<16>	48	br_ad<0>	90	iref	108
ad<17>	47	br_ad<1>	91	mii_clsn/sym_rxd<4>	118
ad<18>	45	br_ad<2>	92	mii_crs/sd	117
ad<19>	44	br_ad<3>	93	mii_dv	129
ad<20>	43	br_ad<4>	96	mii_mdc	134
ad<21>	41	br_ad<5>	97	mii_mdio	135
ad<22>	40	br_ad<6>	98	mii/sym_rclk	128
ad<23>	39	br_ad<7>	99	mii_rx_err/sel10_100	127
mii/sym_rxd<0>	130	perr_l	57	tms	12

## Signal Reference Tables

**Table 2 Logic Signals**

(Sheet 2 of 2)

Signal	Pin Number	Signal	Pin Number	Signal	Pin Number
mii/sym_rxd<1>	131	req_l	22	tp_rd-	10
mii/sym_rxd<2>	132	rst_l	16	tp_rd+	9
mii/sym_rxd<3>	133	serr_l	58	tp_td-	5
mii/sym_tclk	124	sr_ck	114	tp_td--	4
mii/sym_txd<0>	122	sr_cs	115	tp_td+	6
mii/sym_txd<1>	121	sr_di	113	tp_td++	7
mii/sym_txd<2>	120	sr_do	112	trdy_l	52
mii/sym_txd<3>	119	stop_l	56	vcap_h	110
mii_txen/sym_txd<4>	123	tck	11	xtal1	106
par	59	tdi	13	xtal2	105
pci_clk	19	tdo	14	—	—

**Table 3 Power Pins**

Signal	Pin Number	Signal	Pin Number
vdd (3.3 V)	1, 2, 8, 18, 26, 36, 37, 46, 54, 67, 72, 73, 79, 95, 107, 125, 136, 141	vss (GND)	3, 17, 30, 35, 38, 42, 53, 63, 71, 74, 83, 94, 104, 116, 126, 144
vddac (3.3 V)	109, 111	—	—
vdd_clamp (5 V or 3.3 V)	20	—	—

## Signal Reference Tables

The functional grouping of each pin is listed in Section 2.3.

The following terms describe the 21143 pinout:

- **Address phase**

Address and appropriate bus commands are driven during this cycle.

- **Data phase**

Data and the appropriate byte enable codes are driven during this cycle.

- **\_l**

All pin names with the \_l suffix are asserted low.

The following pins in Table 4 have an internal pull-up:

**tms**

**tdi**

**br\_ce\_l**

**sr\_do**

**mii/sym\_tclk**

Pin **sr\_cs** has an internal pull-down.

Table 4 uses the following abbreviations:

I = Input

O = Output

I/O = Input/output

O/D = Open drain

P = Power

## Signal Reference Tables

Table 4 provides a functional description of each of the 21143 signals. These signals are listed alphabetically.

**Table 4 Functional Description of 21143 Signals**

*(Sheet 1 of 9)*

Signal	Type	Pin Number	Description
<b>ad&lt;31:0&gt;</b>	I/O	See Figure 2.	32-bit PCI address and data lines. Address and data bits are multiplexed on the same pins. During the first clock cycle of a transaction, the address bits contain a physical address (32 bits). During subsequent clock cycles, these same lines contain 32 bits of data. A 21143 bus transaction consists of an address phase followed by one or more data phases. The 21143 supports both read and write bursts (in master operation only). Little and big endian byte ordering can be used.
<b>au_i_cd-</b>	I	138	Attachment unit interface receive collision differential negative data.
<b>au_i_cd+</b>	I	137	Attachment unit interface receive collision differential positive data.
<b>au_i_rd-</b>	I	140	Attachment unit interface receive differential negative data.
<b>au_i_rd+</b>	I	139	Attachment unit interface receive differential positive data.
<b>au_i_td-</b>	O	143	Attachment unit interface transmit differential negative data.
<b>au_i_td+</b>	O	142	Attachment unit interface transmit differential positive data.
<b>br_a&lt;0&gt;</b>	O	88	Boot ROM address line bit 0. In a 256KB configuration, this pin also carries in two consecutive address cycles, boot ROM address bits 16 and 17.
<b>br_a&lt;1&gt;</b>	O	89	Boot ROM address line bit 1. This pin also latches the boot ROM address and control lines by the two external latches.

## Signal Reference Tables

**Table 4 Functional Description of 21143 Signals**

(Sheet 2 of 9)

Signal	Type	Pin Number	Description
<b>br_ad&lt;7:0&gt;</b>	I/O	See Figure 2.	Boot ROM address and data multiplexed lines bits 7 through 0. In two consecutive address cycles, these lines contain the boot ROM address pins 7 through 2, <b>oe_1</b> and <b>we_1</b> in the first cycle; and these lines contain boot ROM address pins 15 through 8 in the second cycle. During the data cycle, bits 7 through 0 contain data.
<b>br_ce_1</b>	O	87	Boot ROM or external register chip enable.
<b>c_be_1&lt;3:0&gt;</b>	I/O	See Figure 2.	Bits 0 through 3 of the bus command and byte enable lines. Bus command and byte enable are multiplexed on the same PCI pins. During the address phase of the transaction, these 4 bits provide the bus command. During the data phase, these 4 bits provide the byte enable. The byte enable determines which byte lines carry valid data. For example, bit 0 applies to byte 0, and bit 3 applies to byte 3.
<b>clkrun_1</b>	I/O O/D	86	CardBus clock run indicates the clock status. The host system asserts this signal to indicate normal operation of the clock. The host system deasserts <b>clkrun_1</b> when the clock is going to be slowed down to a nonoperational frequency. The 21143 samples <b>clkrun_1</b> and when the signal is found deasserted, the 21143 asserts <b>clkrun_1</b> , requesting that normal clock operation be maintained.
<b>devsel_1</b>	I/O	55	Device select is asserted by the target of the current bus access. When the 21143 is the initiator of the current bus access, it expects the target to assert <b>devsel_1</b> within 5 bus cycles, confirming the access. If the target does not assert <b>devsel_1</b> within the required bus cycles, the 21143 aborts the cycle. To meet the timing requirements, the 21143 asserts this signal in a medium speed (within 2 bus cycles).

## Signal Reference Tables

**Table 4 Functional Description of 21143 Signals**

(Sheet 3 of 9)

Signal	Type	Pin Number	Description
<b>frame_1</b>	I/O	50	The <b>frame_1</b> signal is driven by the 21143 (bus master) to indicate the beginning and duration of an access. The <b>frame_1</b> signal asserts to indicate the beginning of a bus transaction. While <b>frame_1</b> is asserted, data transfers continue. The <b>frame_1</b> signal deasserts to indicate that the next data phase is the final data phase transaction.
<b>gpc0&gt;/aui_bnc</b>	I/O	100	This pin can be configured by software to be: <ul style="list-style-type: none"> <li>• A general-purpose pin that performs either input or output functions. It can provide an interrupt when it is an input pin.</li> <li>• A control pin that provides an AUI (10BASE5) or BNC (10BASE2) select line. This pin is mainly used to enable the external BNC transceiver in 10BASE2 mode. When set, the 10BASE5 mode is selected. When reset, the 10BASE2 mode is selected.</li> </ul>
<b>gpc1&gt;/activ</b>	I/O	101	This pin can be configured by software to be: <ul style="list-style-type: none"> <li>• A general-purpose pin that performs either input or output functions. It can provide an interrupt when it is an input pin.</li> <li>• A status pin that provides an LED that indicates either receive or transmit activity.</li> </ul>
<b>gpc2&gt;/rcv_match</b>	I/O	102	This pin can be configured by software to be: <ul style="list-style-type: none"> <li>• A general-purpose pin that performs either input or output functions.</li> <li>• A status pin that provides an LED that indicates a receive packet has passed address recognition.</li> </ul>
<b>gpc3&gt;/10bt_link</b>	I/O	103	This pin can be configured by software to be: <ul style="list-style-type: none"> <li>• A general-purpose pin that performs either input or output functions.</li> <li>• A status pin that provides an LED that indicates that the 10BASE-T link integrity test has completed successfully after the link was down.</li> </ul>
<b>gnt_1</b>	I	21	Bus grant asserts to indicate to the 21143 that access to the bus is granted.

## Signal Reference Tables

**Table 4 Functional Description of 21143 Signals**

(Sheet 4 of 9)

Signal	Type	Pin Number	Description
<b>idsel</b>	I	34	Initialization device select asserts to indicate that the host is issuing a configuration cycle to the 21143.
<b>int_1</b>	O/D	15	Interrupt request asserts when one of the appropriate bits of CSR5 sets and causes an interrupt, provided that the corresponding mask bit in CSR7 is not asserted. Interrupt request deasserts by writing a 1 into the appropriate CSR5 bit. If more than one interrupt bit is asserted in CSR5 and the host does not clear all input bits, the 21143 deasserts <b>int_1</b> for one cycle to support edge-triggered systems. This pin must be pulled up by an external resistor.
<b>iref</b>	I	108	Current reference input for the analog phase-locked loop logic.
<b>irdy_1</b>	I/O	51	Initiator ready indicates the bus master's ability to complete the current data phase of the transaction. A data phase is completed on any rising edge of the clock when both <b>irdy_1</b> and target ready <b>trdy_1</b> are asserted. Wait cycles are inserted until both <b>irdy_1</b> and <b>trdy_1</b> are asserted together. When the 21143 is the bus master, <b>irdy_1</b> is asserted during write operations to indicate that valid data is present on the 32-bit <b>ad</b> lines. During read operations, the 21143 asserts <b>irdy_1</b> to indicate that it is ready to accept data.
<b>mii_clsn/ sym_rxd&lt;4&gt;</b>	I	118	In MII mode (CSR6<18>=1, CSR6<23>=0), this pin functions as the collision detect. When the external physical layer protocol (PHY) device detects a collision, it asserts this pin. In SYM mode (CSR6<18>=1, CSR6<23>=1), this pin functions as receive data. This line along with the four receive lines ( <b>sym_rxd&lt;4:0&gt;</b> ) provides five parallel data lines in symbol form. This data is controlled by an external physical layer medium-dependent (PMD) device and should be synchronized to the <b>sym_rclk</b> signal.

## Signal Reference Tables

**Table 4 Functional Description of 21143 Signals**

(Sheet 5 of 9)

Signal	Type	Pin Number	Description
<b>mii_crs/sd</b>	I	117	In MII mode this pin functions as the carrier sense and is asserted by the PHY when the media is active. In SYM mode this pin functions as the signal detect indication. It is controlled by an external PMD device.
<b>mii_dv</b>	I	129	Data valid is asserted by an external PHY when receive data is present on the <b>mii_rxd</b> lines and deasserted at the end of the packet. This signal should be synchronized with the <b>mii_rclk</b> signal.
<b>mii_mdc</b>	O	134	MII management data clock is sourced by the 21143 to the PHY devices as a timing reference for the transfer of information on the <b>mii_mdio</b> signal.
<b>mii_mdio</b>	I/O	135	MII management data input/output transfers control information and status between the PHY and the 21143.
<b>mii/sym_rclk</b>	I	128	Supports either the 25-MHz or 2.5-MHz receive clock. This clock is recovered by the PHY.
<b>mii_rx_err/ sel10_100</b>	I	127	In MII mode (CSR6<18>=1, CSR6<23>=0), this pin functions as receive error. It is asserted when a data decoding error is detected by an external PHY device. This signal is synchronized to <b>mii_rclk</b> and can be asserted for a minimum of one receive clock. When asserted during a packet reception, it sets the cyclic redundancy check (CRC) error bit in the receive descriptor (RDES0). In SYM mode (CSR6<23>=1), this pin functions as select 10/100. The signal <b>sel10_100</b> equals 1 when the 21143 is in 100-Mb/s SYM mode (CSR6<18>=1) and equals 0 when the 21143 is in 10BASE-T/AUI mode (CSR6<18>=1).
<b>mii/sym_rxd&lt;3:0&gt;</b>	I	See Figure 2.	Four parallel receive data lines. This data is driven by an external PHY that attached the media and should be synchronized with the <b>mii_rclk</b> signal.

## Signal Reference Tables

**Table 4 Functional Description of 21143 Signals**

(Sheet 6 of 9)

Signal	Type	Pin Number	Description
<b>mii/sym_tclk</b>	I	124	Supports the 25-MHz or 2.5-MHz transmit clock supplied by the external PMD device. This clock should always be active.
<b>mii/sym_txd&lt;3:0&gt;</b>	O	See Figure 2.	Four parallel transmit data lines. This data is synchronized to the assertion of the <b>mii_tclk</b> signal and is latched by the external PHY on the rising edge of the <b>mii_tclk</b> signal.
<b>mii_txen/ sym_txd&lt;4&gt;</b>	O	123	In MII mode, this pin functions as transmit enable. It indicates that a transmission is active on the MII port to an external PHY device. In SYM mode, this pin functions as transmit data. This line along with the four data transmit lines ( <b>sym_txd&lt;3:0&gt;</b> ) provides five parallel data lines in symbol form. The data is synchronized to the rising edge of the <b>sym_tclk</b> signal.
<b>par</b>	I/O	59	Parity is calculated by the 21143 as an even parity bit for the 32-bit <b>ad</b> and 4-bit <b>c_be_1</b> lines. During address and data phases, parity is calculated on all the <b>ad</b> and <b>c_be_1</b> lines whether or not any of these lines carry meaningful information.
<b>pci_clk</b>	I	19	The clock provides the timing for the 21143 related PCI bus transactions. All the bus signals are sampled on the rising edge of <b>pci_clk</b> . The clock frequency range is between 20 MHz and 33 MHz.
<b>perr_1</b>	I/O	57	Parity error asserts when a data parity error is detected. When the 21143 is the bus master and a parity error is detected, the 21143 asserts both CSR5 bit 13 (fatal bus error) and CFCS bit 24 (data parity report). Next, it completes the current data burst transaction, then stops operation. After the host clears the system error, the 21143 continues its operation. The 21143 asserts <b>perr_1</b> when a data parity error is detected in either a master-read or a slave-write operation. This pin must be pulled up by an external resistor.

## Signal Reference Tables

**Table 4 Functional Description of 21143 Signals**

(Sheet 7 of 9)

Signal	Type	Pin Number	Description
<b>req_l</b>	O	22	Bus request is asserted by the 21143 to indicate to the bus arbiter that it wants to use the bus.
<b>rst_l</b>	I	16	Resets the 21143 to its initial state. This signal must be asserted for at least 10 active PCI clock cycles. When in the reset state, all PCI output pins are put into tristate and all PCI O/D signals are floated.
<b>serr_l</b>	O/D	58	If an address parity error is detected and CFCS bit 8 ( <b>serr_l</b> enable) is enabled, 21143 asserts both <b>serr_l</b> (system error) and CFCS bit 30 (signal system error). When an address parity error is detected, system error asserts two clocks after the failing address. This pin must be pulled up by an external resistor.
<b>sr_ck</b>	O	114	Serial ROM clock signal.
<b>sr_cs</b>	O	115	Serial ROM chip-select signal.
<b>sr_di</b>	O	113	Serial ROM data-in signal.
<b>sr_do</b>	I	112	Serial ROM data-out signal.
<b>stop_l</b>	I/O	56	Stop indicator indicates that the current target is requesting the bus master to stop the current transaction. The 21143 responds to the assertion of <b>stop_l</b> when it is the bus master, either to disconnect, retry, or abort.
<b>tck</b>	I	11	JTAG clock shifts state information and test data into and out of the 21143 during JTAG test operations. If the JTAG port is unused, this pin should not be left unconnected.
<b>tdi</b>	I	13	JTAG data in is used to serially shift test data and instructions into the 21143 during JTAG test operations.
<b>tdo</b>	O	14	JTAG data out is used to serially shift test data and instructions out of the 21143 during JTAG test operations.

## Signal Reference Tables

**Table 4 Functional Description of 21143 Signals**

(Sheet 8 of 9)

Signal	Type	Pin Number	Description
<b>tms</b>	I	12	JTAG test mode select controls the state operation of JTAG testing in the 21143.
<b>tp_rd-</b>	I	10	Twisted-pair negative differential receive data from the twisted-pair lines.
<b>tp_rd+</b>	I	9	Twisted-pair positive differential receive data from the twisted-pair lines.
<b>tp_td-</b>	O	5	Twisted-pair negative differential transmit data. The positive and negative differential transmit data outputs are combined resistively outside the 21143 with equalization to compensate for intersymbol interference on the twisted-pair medium.
<b>tp_td- -</b>	O	4	
<b>tp_td+</b>	O	6	Twisted-pair positive differential transmit data. The positive and negative differential transmit data outputs are combined resistively outside the 21143 with equalization to compensate for intersymbol interference on the twisted-pair medium.
<b>tp_td+ +</b>	O	7	
<b>trdy_l</b>	I/O	52	<p>Target ready indicates the target agent's ability to complete the current data phase of the transaction.</p> <p>A data phase is completed on any clock when both <b>trdy_l</b> and <b>irdy_l</b> are asserted. Wait cycles are inserted until both <b>irdy_l</b> and <b>trdy_l</b> are asserted together.</p> <p>When the 21143 is the bus master, target ready is asserted by the bus slave on the read operation, which indicates that valid data is present on the <b>ad</b> lines. During a write cycle, it indicates that the target is prepared to accept data.</p>
<b>vcap_h</b>	I	110	Capacitor input for analog phase-locked loop logic.
<b>vdd</b>	P	See Figure 2.	3.3-V supply input voltage.
<b>vddac</b>	P	109, 111	Supplies +3.3-V input for analog phase-locked loop logic.

## Pin Tables

**Table 4 Functional Description of 21143 Signals**

(Sheet 9 of 9)

Signal	Type	Pin Number	Description
vdd_clamp	P	20	Supplies +5-V or +3.3-V reference for clamp logic.
vss	P	See Figure 2.	Ground pins.
xtal1	I	106	20-MHz crystal input, or crystal oscillator input.
xtal2	O	105	Crystal feedback output pin used for crystal connections only. If this pin is unused, then it should be unconnected

## 2.2 Pin Tables

This section contains four types of pin tables:

- Table 5 lists the input pins.
- Table 6 lists the output pins.
- Table 7 lists the input/output pins.
- Table 8 lists the open drain pins.

**Table 5 Input Pins**

(Sheet 1 of 2)

Signal	Active Level	Signal	Active Level
au_i_cd-	Low	mii/sym_tclk	—
au_i_cd+	High	pci_clk	—
au_i_rd-	Low	rst_l	Low
au_i_rd+	High	sr_do	High
gnt_l	Low	tck	—
idsel	High	tdi	—
iref	High	tms	High
mii_clsn/sym_rxd<4>	High	tp_rd-	Low
mii_crs/sd	High	tp_rd+	High

## Pin Tables

**Table 5 Input Pins**

(Sheet 2 of 2)

Signal	Active Level	Signal	Active Level
mii_dv	High	vcap_h	High
mii/sym_rclk	—	xtal1	—
mii/sym_rxd<3:0>	—	—	—

**Table 6 Output Pins**

Signal	Active Level	Signal	Active Level
au_i_td-	Low	sr_ck	—
au_i_td+	High	sr_cs	High
br_a<0>	High	sr_di	High
br_a<1>	High	tdo	High
br_ce_l	Low	tp_td-	Low
mii_mdc	—	tp_td- -	Low
mii/sym_txd<3:0>	—	tp_td+	High
mii_txen/sym_txd<4>	High	tp_td+ +	High
req_l	Low	xtal2	High

**Table 7 Input/Output Pins**

Signal	Active Level	Signal	Active Level
ad<31:0>	—	gcp<3>/10bt_link	—
br_ad<7:0>	—	irdy_l	Low
clkrun_l	Low	mii_mdio	—
c_be_l<3:0>	Low	mii_rx_err/sel10_100	—
devsel_l	Low	par	—
frame_l	Low	perr_l	Low
gcp<0>/au_i_bnc	—	stop_l	Low
gcp<1>/activ	—	trdy_l	Low
gcp<2>/rcv_match	—	—	—

**Table 8 Open Drain Pins**

Signal	Active Level	Signal	Active Level
int_l	Low	serr_l	Low

## Signal Grouping by Function

### 2.3 Signal Grouping by Function

Table 9 lists the signals according to their interface function.

**Table 9 Signal Functions**

(Sheet 1 of 2)

Interface	Function	Signals
PCI	Address and data	<b>ad&lt;31:0&gt;, par</b>
	Arbitration	<b>gnt_l, req_l</b>
	Bus command and byte enable	<b>c_be_l&lt;3:0&gt;</b>
	Device select	<b>devsel_l, idsel</b>
	Error reporting	<b>perr_l, serr_l</b>
	Interrupt	<b>int_l</b>
	System	<b>pci_clk, rst_l</b>
	Control signals	<b>frame_l, stop_l, irdy_l, trdy_l</b>
MII/SYM network port	Transmit data lines	<b>mii/sym_txd&lt;3:0&gt;</b>
	Receive data lines	<b>mii/sym_rxd&lt;3:0&gt;</b>
	Transmit, receive clocks	<b>mii/sym_tclk, mii/sym_rclk</b>
	Transmit enable	<b>mii_txen</b>
	Collision detect	<b>mii_clsn</b>
	Error reporting	<b>mii_rx_err/sel10_100</b>
	Data control	<b>mii_dv, mii_crs</b>
	MII management data clock	<b>mii_mdc</b>
	MII management data input/output	<b>mii_mdio</b>
	Signal detection	<b>sd</b>
	SYM mode data lines	<b>sym_rxd&lt;4&gt;, sym_txd&lt;4&gt;</b>
	SYM mode 10/100 select	<b>sel10_100</b>
CardBus	Clock status	<b>clkrun_l</b>

## Signal Grouping by Function

**Table 9 Signal Functions**

(Sheet 2 of 2)

<b>Interface</b>	<b>Function</b>	<b>Signals</b>
Test access port	JTAG test operations	<b>tck, tdi, tdo, tms</b>
Serial ROM port	Serial ROM	<b>sr_ck, sr_cs, sr_di, sr_do</b>
Boot ROM port	ROM interface	<b>br_a&lt;1:0&gt;, br_ad&lt;7:0&gt;, br_ce_l</b>
Power	3.3-V and 5.0-V supply input	<b>vdd, vddac, vdd_clamp</b>
	Ground	<b>vss</b>
General-purpose port and LEDs	General-purpose pins	<b>gep&lt;3:0&gt;</b>
	LED indicators	<b>activ, rcv_match, 10bt_link</b>
	10BASE5/10BASE2 select	<b>au_i_bnc</b>
Network connection	Analog phase-locked loop logic	<b>iref, vcap_h</b>
	AUI collision data	<b>au_i_cd-, au_i_cd+</b>
	AUI transmit and receive data	<b>au_i_rd-, au_i_rd+, au_i_td-, au_i_td+</b>
	Crystal oscillator	<b>xtal1, xtal2</b>
	Twisted-pair transmit and receive data	<b>tp_rd-, tp_rd+, tp_td-, tp_td-, tp_td+, tp_td+ +</b>

## Voltage Limit Ratings

# 3 Electrical and Environmental Specifications

This section contains the electrical and environmental specifications for the 21143.

**Caution:** Stresses greater than the maximum or less than the minimum ratings can cause permanent damage to the 21143. Exposure to the maximum or minimum ratings for extended periods of time lessen the reliability of the 21143.

## 3.1 Voltage Limit Ratings

Table 10 lists the voltage limit ratings.

**Table 10 Voltage Limit Ratings**

Parameter	Minimum	Maximum
Power supply voltage	3.0 V	3.6 V
<b>vdd_clamp</b> (5.0 V)	4.75 V	5.25 V
<b>vdd_clamp</b> (3.3 V) <sup>1</sup>	3.0 V	3.6 V
ESD protection voltage	—	2000 V

<sup>1</sup>In the 3.3-V signaling environment, **vdd\_clamp** must not be greater than **vdd** 0.3 V.

## 3.2 Temperature Limit Ratings

Table 11 lists the temperature limit ratings.

**Table 11 Temperature Limit Ratings**

Parameter	Minimum	Maximum
Storage temperature	−55°C (−67°F)	125°C (257°F)
Operating temperature	0°C (32°F)	70°C (158°F)

## Supply Current and Power Dissipation

### 3.3 Supply Current and Power Dissipation

The values in Table 12 are estimates based on a PCI clock frequency of 33 MHz and a network data rate of 10/100 Mb/s for MII.

**Table 12 Supply Current and Power Dissipation**

Mode	IDD <sup>1</sup> (mA)	Power <sup>1</sup> (mW)	IDD <sup>2</sup> (mA)	Power <sup>2</sup> (mW)
After power-up	54	178	—	—
Normal	150	495	230	828
Snooze	85	280	145	522
Sleep	25	82	115	414

<sup>1</sup>Typical: **vdd** = 3.3 V, Ta = 25°C

<sup>2</sup>Maximum: **vdd** = 3.6 V, Ta = 0°C

#### 3.3.1 PCI I/O Voltage Specifications

The 21143 meets the I/O voltage specifications listed in Table 13 and Table 14.

**Table 13 I/O Voltage Specifications for 5.0-V Levels**

Symbol	Parameter	Condition	Minimum	Maximum
V <sub>ih</sub>	Input high voltage	—	2.0 V	<b>vdd_clamp</b> + 0.5 V
V <sub>il</sub>	Input low voltage	—	-0.5 V	0.8 V
I <sub>i</sub> <sup>1</sup>	Input leakage current	0.5 V < V <sub>in</sub> < 2.7 V	—	±70 μA
V <sub>oh</sub>	Output high voltage	I <sub>out</sub> = -2 mA	2.4 V	—
V <sub>ol</sub> <sup>2</sup>	Output low voltage	I <sub>out</sub> = 3 mA, 6 mA	—	0.55 V
Cap <sup>3</sup>	Pin capacitance	—	5 pF	8 pF

<sup>1</sup>Input leakage currents include high-impedance output leakage for all bidirectional buffers with tristate outputs.

<sup>2</sup>Signals without pull-up resistors must have 3-mA low output current. Signals requiring pull-up resistors (including **frame\_1**, **trdy\_1**, **irdy\_1**, **devsel\_1**, **stop\_1**, **serr\_1**, and **perr\_1**) must have 6 mA.

<sup>3</sup>Parameter design guarantee.

## Supply Current and Power Dissipation

**Table 14 I/O Voltage Specifications for 3.3-V Levels**

Symbol	Parameter	Condition	Minimum	Maximum
$V_{ih}$	Input high voltage	—	$0.475 \cdot vdd\_clamp$	$vdd\_clamp + 0.5\text{ V}$
$V_{il}$	Input low voltage	—	-0.5 V	$0.325 \cdot vdd\_clamp$
$I_i^1$	Input leakage current	$0.0\text{ V} < V_{in} < vdd\_clamp$	—	$\pm 70\ \mu\text{A}$
$V_{oh}$	Output high voltage	$I_{out} = -500\ \mu\text{A}$	$0.9 \cdot vdd\_clamp$	—
$V_{ol}$	Output low voltage	$I_{out} = 1500\ \mu\text{A}$	—	$0.1 \cdot vdd\_clamp$
$Cap^2$	Pin capacitance	—	5 pF	8 pF

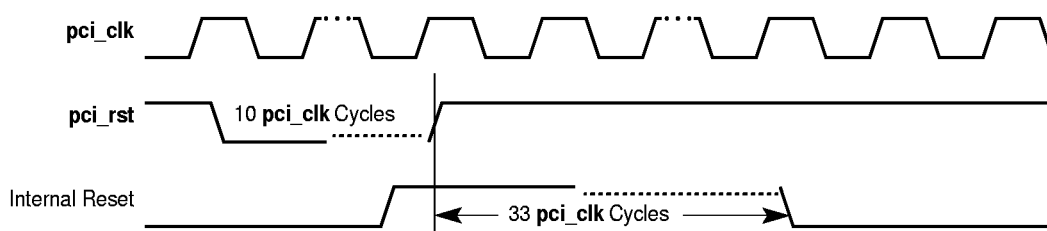
<sup>1</sup>Input leakage currents include high-impedance output leakage for all bidirectional buffers with tristate outputs.

<sup>2</sup>Parameter design guarantee.

### 3.3.2 PCI Reset

PCI reset (**pci\_rst**) is an asynchronous signal that must be active for at least 10 active PCI clock (**pci\_clk**) cycles. Figure 3 shows the PCI reset timing characteristics, and Table 15 lists the PCI reset signal limits.

**Figure 3 PCI Reset Timing Diagram**



LJ-03902.A14

**Table 15 PCI Reset Timing**

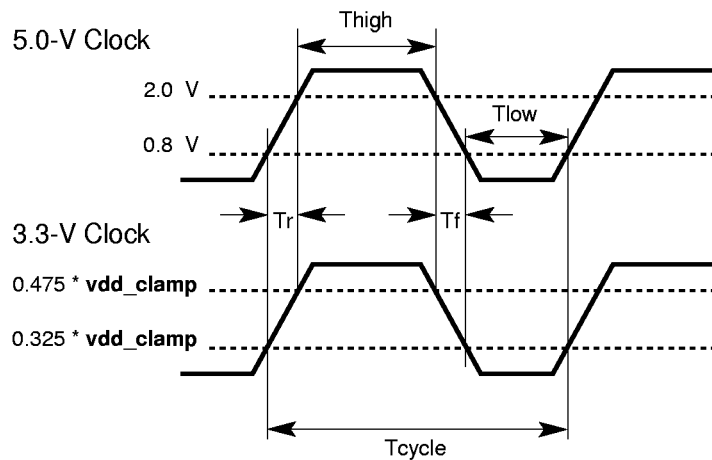
Symbol	Parameter	Minimum	Maximum	Condition
Trst	<b>pci_rst</b> pulse width	$10 \cdot T_{cycle}$	Not applicable	<b>pci_clk</b> active

## Supply Current and Power Dissipation

### 3.3.3 PCI Clock Specifications

The clock frequency range<sup>1</sup> for the PCI is between 20 MHz and 33 MHz. Figure 4 shows the PCI clock specification timing characteristics and the required measurement points for both the 5.0-V and 3.3-V signaling environments. Table 16 lists the frequency-derived clock specifications.

**Figure 4 PCI Clock Specification Timing Diagram**



LJ03910A.A14

**Table 16 PCI Clock Timing Specifications**

Symbol	Parameter	Minimum	Maximum
Tcycle	Cycle time	30 ns	50 ns
Thigh	<b>pci_clk</b> high time	11 ns	—
Tlow	<b>pci_clk</b> low time	11 ns	—
Tr/Tf <sup>1</sup>	<b>pci_clk</b> slew rate	1 V/ns	4 V/ns

<sup>1</sup>Rise and fall times are specified in terms of the edge rate measured in V/ns. Parameter design guarantee.

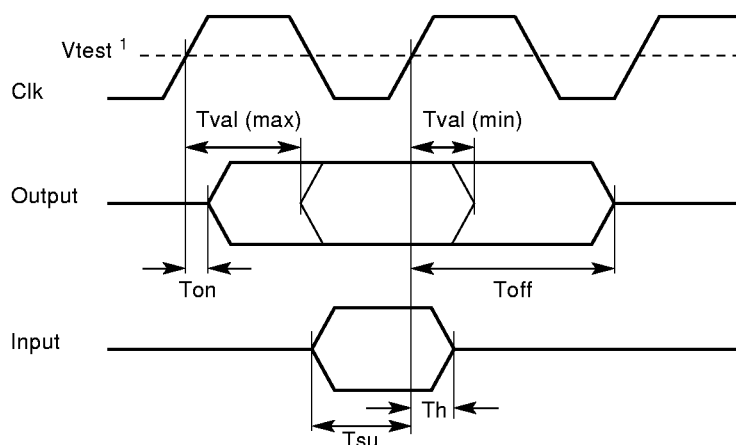
<sup>1</sup>The PCI clock frequency is from dc to 33 MHz; network operational with the PCI clock from 20 MHz to 33 MHz.

## Supply Current and Power Dissipation

### 3.3.4 Other PCI Signals

Figure 5 shows the timing diagram characteristics for other PCI signals and Table 17 lists their timing specifications. This timing is identical to the timing for the general-purpose register signals.

**Figure 5 Timing Diagram for Other PCI Signals**



<sup>1</sup>  $V_{test}$  is 1.5 V in a 5.0-V signaling environment and is  $0.4 * v_{dd\_clamp}$  in a 3.3-V signaling environment.

LJ04719A.A14

**Table 17 Other PCI Signals' Timing Specifications**

Symbol	Parameter	Minimum	Maximum
$T_{val}^1$	clk-to-signal valid delay	2 ns	11 ns
$T_{on}^2$	Float-to-active delay from clk	2 ns	—
$T_{off}^2$	Active-to-float delay from clk	—	28 ns
$T_{su}$	Input signal valid setup time before clk	7 ns	—
$T_h$	Input signal hold time from clk	0 ns	—

<sup>1</sup>Load for this measurement is as specified in *PCI Local Bus Specification*, Revision 2.0 and *PCI Local Bus Specification*, Revision 2.1.

<sup>2</sup>Parameter design guarantee.

## AUI and Twisted-Pair DC Specifications

### 3.4 AUI and Twisted-Pair DC Specifications

Table 18 lists the dc specifications for the AUI and twisted-pair parts of the SIA.

**Table 18 AUI and Twisted-Pair DC Specifications**

Symbol	Definition	Condition	Minimum	Maximum	Unit
<b>AUI Pins</b>					
$V_{od}$	Transmit differential output voltage ( <b>au<sub>i</sub>_td±</b> )	78 Ω termination	±550	±1200	mV
$V_{odi}^1$	Transmit differential output idle voltage ( <b>au<sub>i</sub>_td±</b> )	78 Ω termination	-40	+40	mV
$I_{odi}^1$	Transmit differential output idle current ( <b>au<sub>i</sub>_td±</b> )	78 Ω termination	-1	+1	mA
$V_{asq}^{+1}$	Differential positive squelch threshold ( <b>au<sub>i</sub>_rd±</b> )	—	175	275	mV
$V_{asq}^{-1}$	Differential negative squelch threshold ( <b>au<sub>i</sub>_rd±</b> and <b>au<sub>i</sub>_cd±</b> )	—	-275	-175	mV
$V_{odu}^1$	Transmit differential output undershoot voltage on return to zero ( <b>au<sub>i</sub>_td±</b> )	78 Ω termination	—	-100	mV
<b>Twisted-Pair Interface Pins</b>					
$V_{toh}$	Output high voltage ( <b>tp<sub>i</sub>_td±</b> and <b>tp<sub>i</sub>_td±±</b> )	$I_{oh} = -25$ mA	2.5	<b>vdd</b>	V
$V_{tol}$	Output low voltage ( <b>tp<sub>i</sub>_td±</b> and <b>tp<sub>i</sub>_td±±</b> )	$I_{ol} = 25$ mA	<b>vss</b>	0.5	V
$V_{tsq}^{+1}$	Differential positive squelch threshold ( <b>tp<sub>i</sub>_rd±</b> )	—	300	520	mV
$V_{tsq}^{-1}$	Differential negative squelch threshold ( <b>tp<sub>i</sub>_rd±</b> )	—	-520	-300	mV
$V_{tdif}^1$	Differential input voltage range ( <b>tp<sub>i</sub>_rd±</b> )	—	-3.1	3.1	V

<sup>1</sup>Parameter design guarantee.

## Serial Interface Attachment Specifications

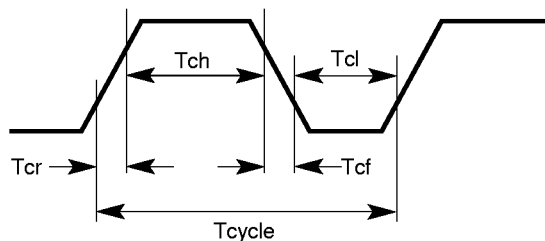
### 3.5 Serial Interface Attachment Specifications

This section describes the dc specifications and timing limits of the SIA unit.

#### 3.5.1 Serial Clock Timing

Figure 6 shows the serial clock (TTL or CMOS) timing characteristics, and Table 19 lists the serial clock timing specifications.

**Figure 6 Serial Clock (XTAL) Timing Diagram**



LJ-04101.A14

**Table 19 Serial Clock (XTAL) Timing Specifications**

Symbol	Parameter	Minimum	Maximum
$T_{cr}^1$	Rise time	—	4 ns
$T_{cf}^1$	Fall time	—	4 ns
$T_{cycle}$	Cycle time	49.995 ns	50.005 ns
$T_{ch}$	Clock high time	$0.4 * T_{cycle}$	$0.6 * T_{cycle}$
$T_{cl}$	Clock low time	$0.4 * T_{cycle}$	$0.6 * T_{cycle}$

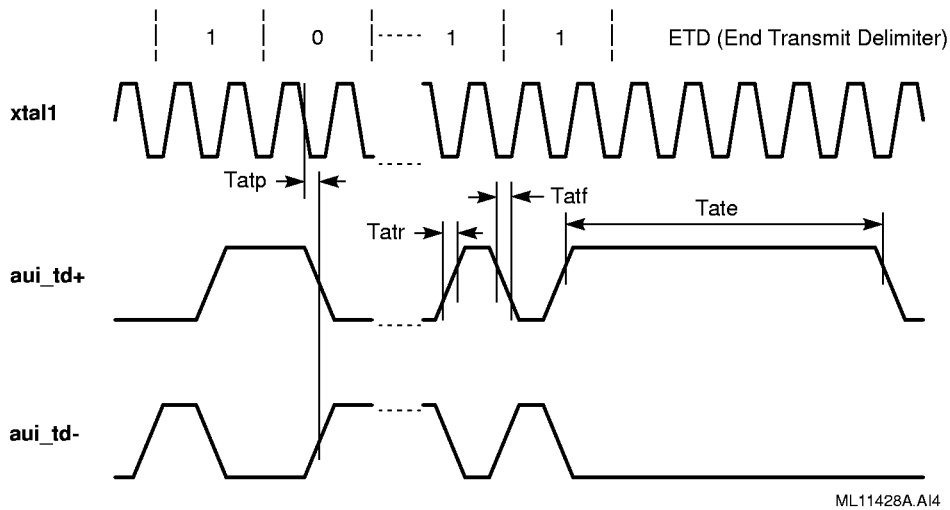
<sup>1</sup>Parameter design guarantee.

## Serial Interface Attachment Specifications

### 3.5.2 Internal SIA Mode AUI Timing—Transmit

Figure 7 shows the internal SIA transmit timing characteristics for the AUI, and Table 20 lists the internal SIA transmit timing limits for the AUI.

**Figure 7 Internal SIA Mode AUI Timing Diagram—Transmit**



ML11428A.A14

**Table 20 Internal SIA Mode AUI Timing Specifications—Transmit**

Symbol	Definition	Minimum	Maximum	Unit
T <sub>atp</sub>	<b>aui_td+</b> , <b>aui_td-</b> propagation delay from <b>xtal1</b> fall	—	30	ns
T <sub>atr</sub> <sup>1</sup>	<b>aui_td+</b> , <b>aui_td-</b> rise time	2	8	ns
T <sub>atf</sub> <sup>1</sup>	<b>aui_td+</b> , <b>aui_td-</b> fall time	2	8	ns
T <sub>atm</sub> <sup>1</sup>	<b>aui_td+</b> , <b>aui_td-</b> rise and fall time mismatch (not shown)	—	1	ns
T <sub>ate</sub>	<b>aui_td±</b> end transmit delimiter length	345	405	ns

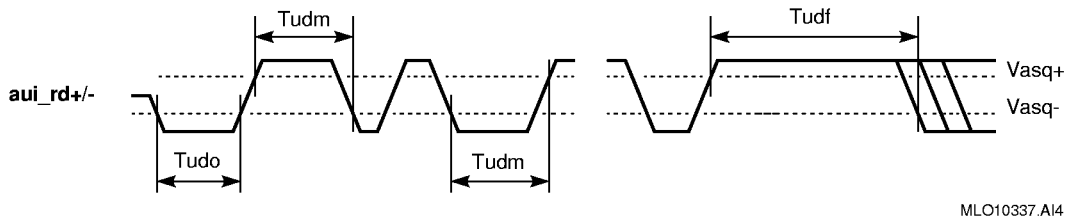
<sup>1</sup>Parameter design guarantee.

## Serial Interface Attachment Specifications

### 3.5.3 Internal SIA Mode AUI Timing—Receive

Figure 8 shows the internal SIA receive timing characteristics for the AUI, and Table 21 lists the internal SIA receive timing limits for the AUI.

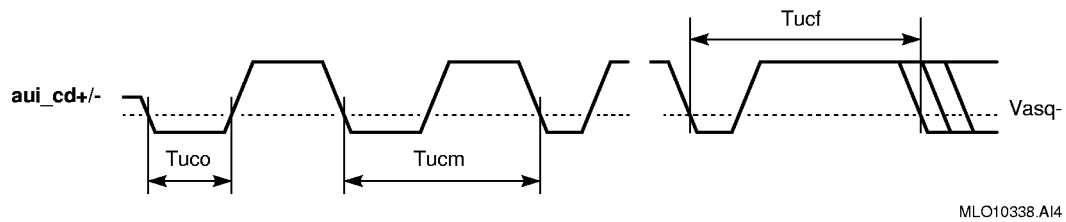
Figure 8 Internal SIA Mode AUI Timing Diagram—Receive



### 3.5.4 Internal SIA Mode AUI Timing—Collision

Figure 9 shows the internal SIA collision timing characteristics for the AUI, and Table 21 lists the internal SIA collision timing limits for the AUI.

Figure 9 Internal SIA Mode AUI Timing Diagram—Collision



## Serial Interface Attachment Specifications

**Table 21 Internal SIA Mode AUI Timing Specifications—Receive and Collision**

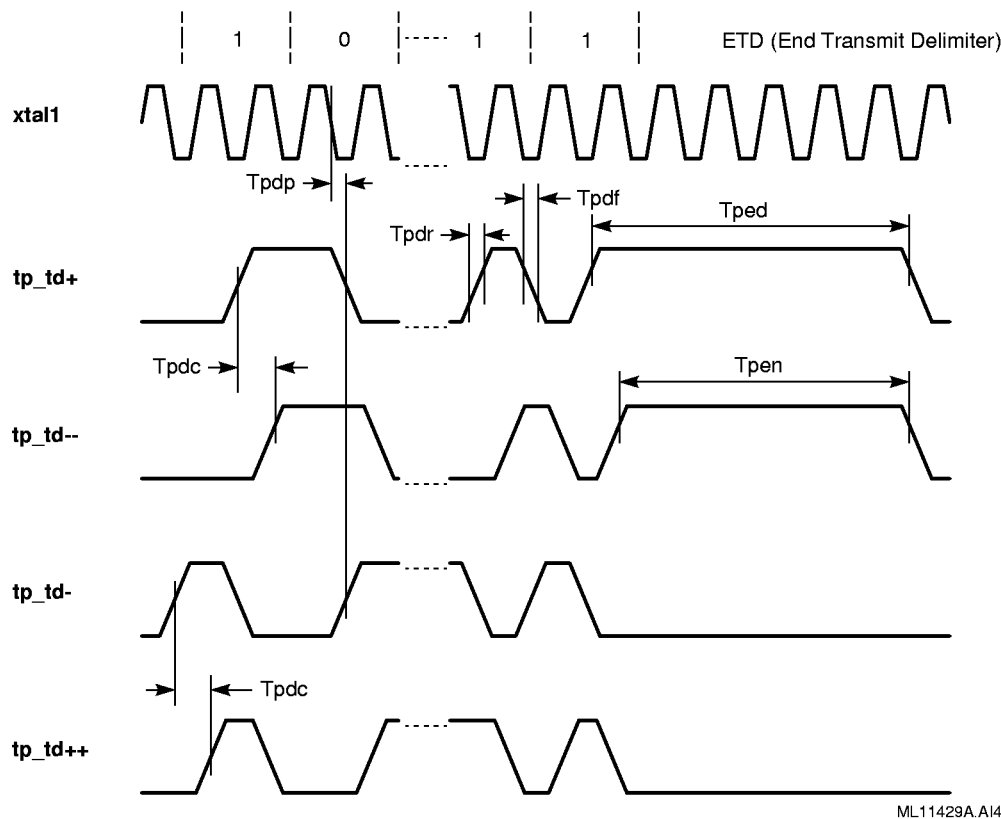
Symbol	Definition	Minimum	Maximum	Unit
Tudo	<b>au<sub>i</sub>_rd<sub>±</sub></b> start of frame pulse width	15	20	ns
Tudm	<b>au<sub>i</sub>_rd<sub>±</sub></b> delay between opposite squelch crossings not recognized as end of packet	—	140	ns
Tudf	<b>au<sub>i</sub>_rd<sub>±</sub></b> delay from last squelch crossing recognized as end of packet	150	—	ns
Tuco	<b>au<sub>i</sub>_cd<sub>±</sub></b> start of collision pulse width	20	25	ns
Tucm	<b>au<sub>i</sub>_cd<sub>±</sub></b> delay between squelch crossings not recognized as end of collision	—	140	ns
Tucf	<b>au<sub>i</sub>_cd<sub>±</sub></b> delay from last squelch crossing recognized as end of collision	150	—	ns

### 3.5.5 Internal SIA Mode 10BASE-T Interface Timing—Transmit

Figure 10 shows the internal SIA transmit timing characteristics for the 10BASE-T interface, and Table 22 lists the internal SIA transmit limits.

## Serial Interface Attachment Specifications

**Figure 10 Internal SIA Mode 10BASE-T Interface Timing Diagram—Transmit**



**Table 22 Internal SIA Mode 10BASE-T Interface Timing Specifications—Transmit**

Symbol	Definition	Minimum	Maximum	Unit
Tpdp	<b>tp_td+</b> , <b>tp_td-</b> – propagation delay from <b>xtal1</b> fall	—	30	ns
Tpdr <sup>1</sup>	<b>tp_td+</b> , <b>tp_td++</b> , <b>tp_td-</b> , <b>tp_td-</b> – rise time	2	8	ns
Tpdf <sup>1</sup>	<b>tp_td+</b> , <b>tp_td++</b> , <b>tp_td-</b> , <b>tp_td-</b> – fall time	2	8	ns
Tpdm <sup>1</sup>	<b>tp_td+</b> , <b>tp_td++</b> , <b>tp_td-</b> , <b>tp_td-</b> – rise and fall time mismatch (not shown)	—	1	ns
Tpdc	<b>tp_td+</b> to <b>tp_td-</b> – and <b>tp_td-</b> to <b>tp_td++</b> delay	46	54	ns
Tped	<b>tp_td±</b> end transmit delimiter length	295	355	ns
Tpen	<b>tp_td+/-</b> – end transmit delimiter length	245	305	ns

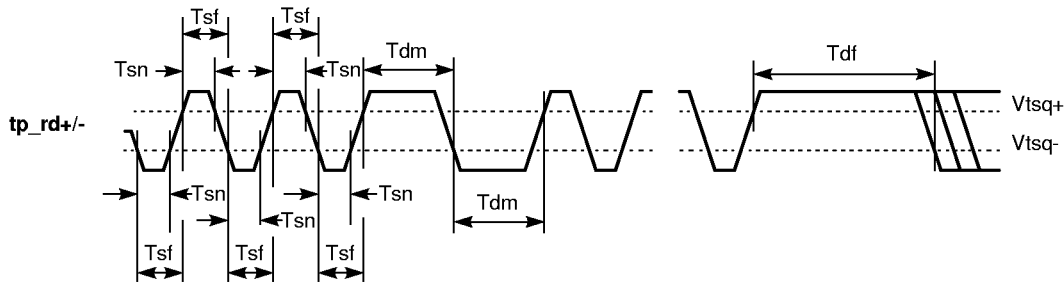
<sup>1</sup>Parameter design guarantee.

## Serial Interface Attachment Specifications

### 3.5.6 Internal SIA Mode 10BASE-T Interface Timing—Receive

Figure 11 shows the internal SIA receive timing characteristics for the 10BASE-T interface, and Table 23 lists the internal SIA receive limits for the 10BASE-T interface.

Figure 11 Internal SIA Mode 10BASE-T Interface Timing Diagram—Receive



MLO10340.A4

Table 23 Internal SIA Mode 10BASE-T Interface Timing Specifications—Receive

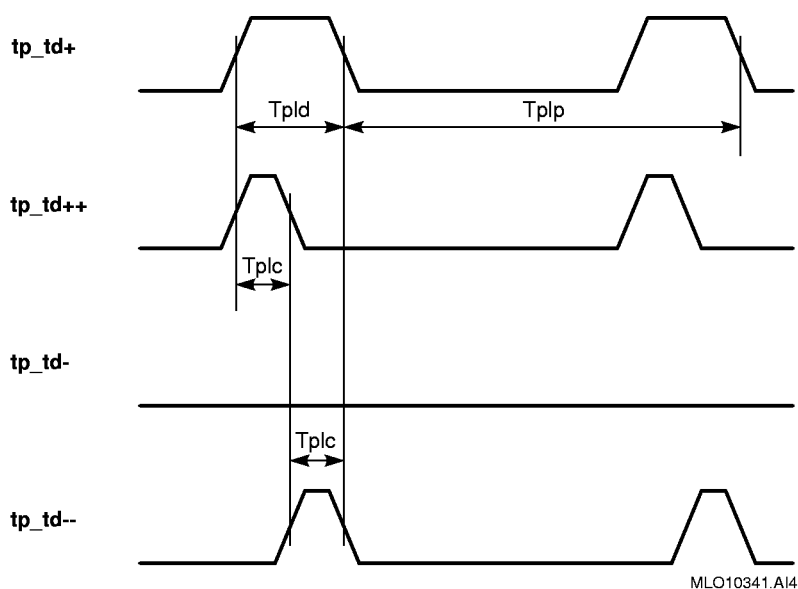
Symbol	Definition	Minimum	Maximum	Unit
$T_{sn}$	$tp_{rd\pm}$ start of frame pulse width during smart squelch operation	15	20	ns
$T_{sf}$	$tp_{rd\pm}$ maximum delay between opposite squelch crossings not to turn smart squelch off	140	150	ns
$T_{dm}$	$tp_{rd\pm}$ delay between opposite squelch crossings not recognized as end of packet	—	140	ns
$T_{df}$	$tp_{rd\pm}$ delay from last squelch crossing recognized as end of packet	150	—	ns

## Serial Interface Attachment Specifications

### 3.5.7 Internal SIA Mode 10BASE-T Interface Timing—Idle Link Pulse

Figure 12 shows the internal SIA idle link pulse timing characteristics for the 10BASE-T interface, and Table 24 lists the internal SIA idle link pulse limits for the 10BASE-T interface.

**Figure 12 Internal SIA Mode 10BASE-T Interface Timing Diagram—Idle Link Pulse**



**Table 24 Internal SIA Mode 10BASE-T Interface Timing Specifications—Idle Link Pulse**

Symbol	Definition	Minimum	Maximum	Unit
Tpld	<b>tp_td+</b> idle link pulse width	80	120	ns
Tplc	<b>tp_td++</b> and <b>tp_td--</b> idle link pulse width	40	60	ns
Tplp	Idle link pulse period	8	24	ms

## MII Interface Specifications

### 3.6 MII Interface Specifications

Table 25 lists the specifications for the MII interface.

**Table 25 MII Interface**

Symbol	Definition	Condition	Minimum	Maximum	Unit
$V_{oh}$	Output high voltage	$I_{oh} = -4 \text{ mA}$	2.4	—	V
$V_{ol}$	Output low voltage	$I_{ol} = 4 \text{ mA}$	—	0.4	V
$V_{ih}$	Input high voltage	—	2.0	—	V
$V_{il}$	Input low voltage	—	—	0.8	V
$I_{in}$	Input current	$V_{in} = V_{cc} \text{ or } vss$	-10.0	10.0	$\mu\text{A}$
$I_{oz}$	Maximum tristate output leakage current	$V_{in} = \mathbf{vdd} \text{ or } vss$	-10.0	10.0	$\mu\text{A}$

### 3.7 MII/SYM Port Timing

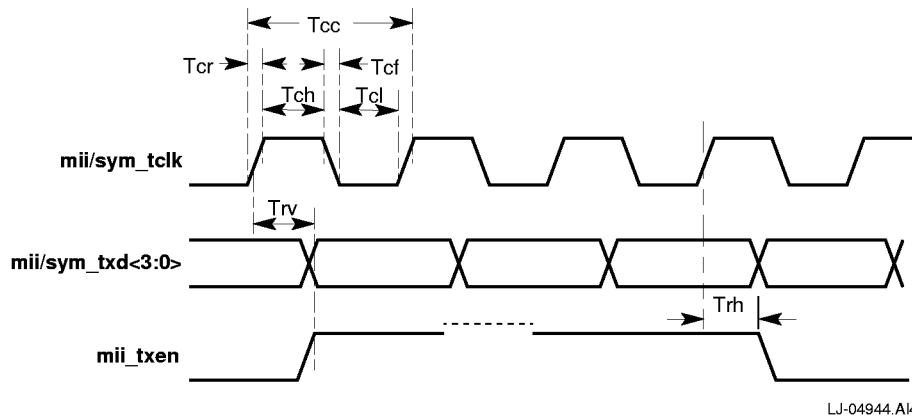
This section describes the MII/SYM port timing limits.

#### 3.7.1 MII/SYM 10/100-Mb/s and 10-Mb/s Timing—Transmit

Figure 13 shows the MII/SYM port transmit timing characteristics, and Table 26 lists the MII/SYM port transmit timing limits.

## MII/SYM Port Timing

Figure 13 MII/SYM Port Timing Diagram—Transmit



LJ-04944.A14

Table 26 MII/SYM Port Timing Limits—Transmit

Symbol	Definition	Minimum	Typical	Maximum	Unit
$T_{cc}^1$	<b>mii/sym_tclk</b> cycle	—	$40t^3$	—	ns
$T_{ch}$	<b>mii/sym_tclk</b> high time	$14t^3$	—	$26t^3$	ns
$T_{cl}$	<b>mii/sym_tclk</b> low time	$14t^3$	—	$26t^3$	ns
$T_{cr}$	<b>mii/sym_tclk</b> rise time	—	8	—	ns
$T_{cf}$	<b>mii/sym_tclk</b> fall time	—	8	—	ns
$T_{rv}^2$	<b>mii_telk</b> rise to <b>mii_txen</b> valid time or <b>mii/sym_tclk</b> rise to <b>mii/sym_txd</b> valid time	—	—	20	ns
$T_{rh}$	<b>mii_txen</b> hold after <b>mii_telk</b> rise time	5	—	—	ns

<sup>1</sup> $\pm 50$  parts per million.

<sup>2</sup>The transmit data (**mii/sym\_txd**) and transmit enable (**mii\_txen**) output pins are driven internally from the rising edge of **mii/sym\_tclk**.

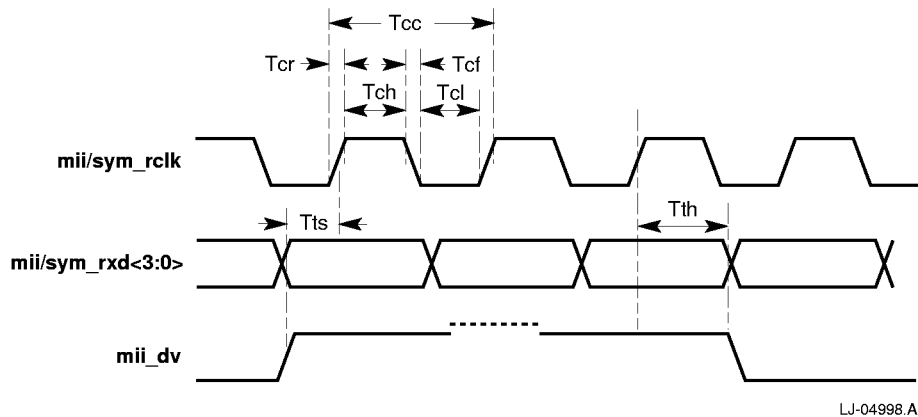
<sup>3</sup> $t=1$  for 100-Mb/s operation;  $t=10$  for 10-Mb/s operation.

## MII/SYM Port Timing

### 3.7.2 MII/SYM 10/100-Mb/s Timing—Receive

Figure 14 shows the MII/SYM port receive timing characteristics, and Table 27 lists the MII/SYM port receive timing limits.

**Figure 14 MII/SYM Port Timing Diagram—Receive**



LJ-04998.A14

**Table 27 MII/SYM Port Timing Limits—Receive**

Symbol	Definition	Minimum	Typical	Maximum	Unit
T <sub>cc</sub> <sup>1</sup>	<b>mii/sym_rclk</b> cycle time	—	40t <sup>3</sup>	—	ns
T <sub>c</sub>	<b>mii/sym_rclk</b> high time	14t <sup>3</sup>	—	26t <sup>3</sup>	ns
T <sub>cl</sub>	<b>mii/sym_rclk</b> low time	14t <sup>3</sup>	—	26t <sup>3</sup>	ns
T <sub>cr</sub>	<b>mii/sym_rclk</b> rise time	—	8	—	ns
T <sub>cf</sub>	<b>mii/sym_rclk</b> fall time	—	8	—	ns
T <sub>ts</sub> <sup>2</sup>	<b>mii/sym_rxd</b> setup (both rise and fall transactions) to <b>mii/sym_rclk</b> rise time or <b>mii_dv</b> setup (both rise and fall transactions) to <b>mii_rclk</b> rise time	8	—	—	ns
T <sub>th</sub>	<b>mii/sym_rxd</b> hold (both rise and fall transactions) after <b>mii/sym_rclk</b> rise time or <b>mii_dv</b> hold (both rise and fall transactions) after <b>mii_rclk</b> rise time	10	—	—	ns

<sup>1</sup>±50 parts per million.

<sup>2</sup>The receive data (**mii/sym\_rxd**) and data valid (**mii\_dv**) input pins are latched internally on the rising edge of **mii/sym\_rclk**.

<sup>3</sup>t=1 for 100-Mb/s operation; t=10 for 10-Mb/s operation.

## MII/SYM Port Timing

### 3.7.3 SYM 10/100-Mb/s Timing—Signal Detect

Figure 15 shows the SYM port signal detect timing characteristics, and Table 28 lists the SYM port signal detect timing limits.

Figure 15 SYM Port Timing Diagram—Signal Detect

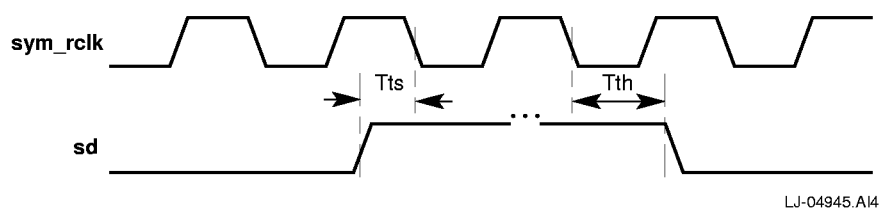


Table 28 SYM Port Timing Limits—Signal Detect

Symbol	Definition	Minimum	Maximum	Units
$T_{ts}^1$	<b>sd</b> setup (both rise and fall transactions) to <b>sym_rclk</b> fall time	10	—	ns
$T_{th}^1$	<b>sd</b> hold (both rise and fall transactions) after <b>sym_rclk</b> fall time	12	—	ns

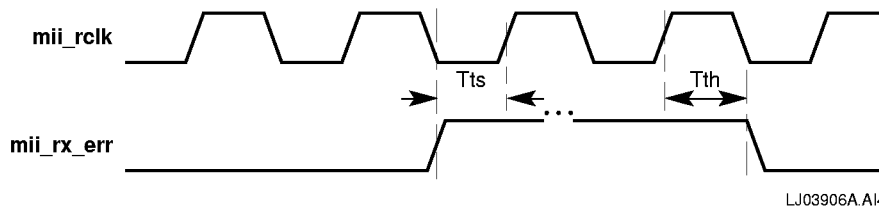
<sup>1</sup>Input signal detect (**sd**) is latched internally on the falling edge of **sym\_rclk**.

## MII/SYM Port Timing

### 3.7.4 MII 10/100-Mb/s Timing—Receive Error

Figure 16 shows the MII port receive error timing characteristics, and Table 29 lists the MII port receive error timing limits.

**Figure 16 MII Port Timing Diagram—Receive Error**



**Table 29 MII Port Timing Limits—Receive Error**

Symbol	Definition	Minimum	Maximum	Unit
$T_{ts}^1$	<b>mii_rx_err</b> setup (both rise and fall transactions) to <b>mii_rclk</b> rise time	10	—	ns
$T_{th}^1$	<b>mii_rx_err</b> hold (both rise and fall transactions) after <b>mii_rclk</b> rise time	10	—	ns

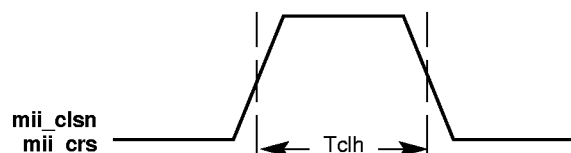
<sup>1</sup>Input signal detect (**mii\_rx\_err**) is latched internally on the falling edge of **mii\_rclk**.

## Boot ROM and Serial ROM Port Specification

### 3.7.5 MII 10/100-Mb/s Timing—Carrier Sense and Collision

Figure 17 shows the MII port carrier sense and collision timing characteristics, and Table 30 lists the MII port carrier sense and collision timing limits.

**Figure 17 MII Port Timing Diagram—Carrier Sense and Collision**



LJ-03929.A14

**Table 30 MII Port Timing Limits—Carrier Sense and Collision**

Symbol	Definition	Minimum	Maximum	Unit
$T_{chl}$	<code>mii_crs</code> , <code>mii_clsn</code> high time	20	—	ns

## 3.8 Boot ROM and Serial ROM Port Specification

Table 31 lists the dc specifications for the boot ROM and serial ROM ports. These specifications apply in any mode in which the ports are used.

**Table 31 Boot ROM and Serial ROM Port DC Specifications**

Symbol	Definition	Condition	Minimum	Maximum	Unit
$V_{oh}$	Output high voltage	$I_{oh} = -4$ mA	2.4	—	V
$V_{ol}$	Output low voltage	$I_{ol} = 4$ mA	—	0.4	V
$V_{ih}$	Input high voltage	—	2.0	—	V
$V_{il}$	Input low voltage	—	—	0.8	V
$I_{oz}^1$	Maximum tristate output leakage current	$V_{out} = vdd$ or $vss$	-10	10	$\mu$ A

<sup>1</sup>For `sr_do` and `br_ce_1`, the maximum value is 1000.0  $\mu$ A.

## 3.9 Boot ROM Port Timing

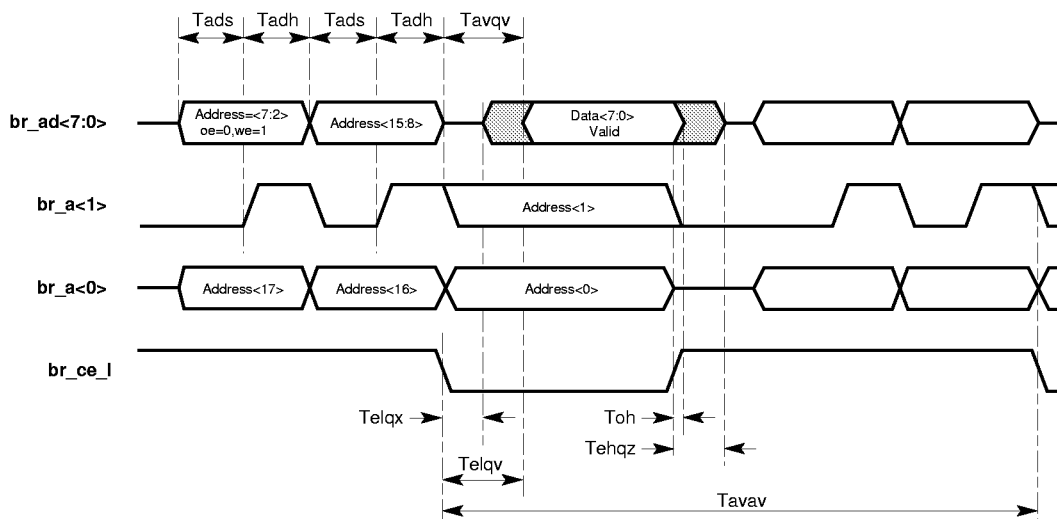
This section describes the boot ROM port timing.

## Boot ROM Port Timing

### 3.9.1 Boot ROM Read Timing

Figure 18 shows the boot ROM read timing characteristics, and Table 32 lists the boot ROM read timing limits.

**Figure 18 Boot ROM Read Timing Diagram**



LJ-04941.A14

**Table 32 Boot ROM Read Timing Specifications**

Symbol	Parameter	Minimum	Maximum	Unit
Tavav	Read cycle time	240	—	ns
Tavqv	Address to output delay	—	240	ns
Telqv	<b>br_ce_l</b> to output delay	—	240	ns
Telqx <sup>1</sup>	<b>br_ce_l</b> to output low impedance	0	—	ns
Tehqz <sup>1</sup>	<b>br_ce_l</b> going high to output high impedance	—	55	ns
Toh	Output hold from <b>br_ce_l</b> change	0	—	ns
Tads	Address setup to latch enable high	30	—	ns
Tadh	Address hold from latch enable high	30	—	ns

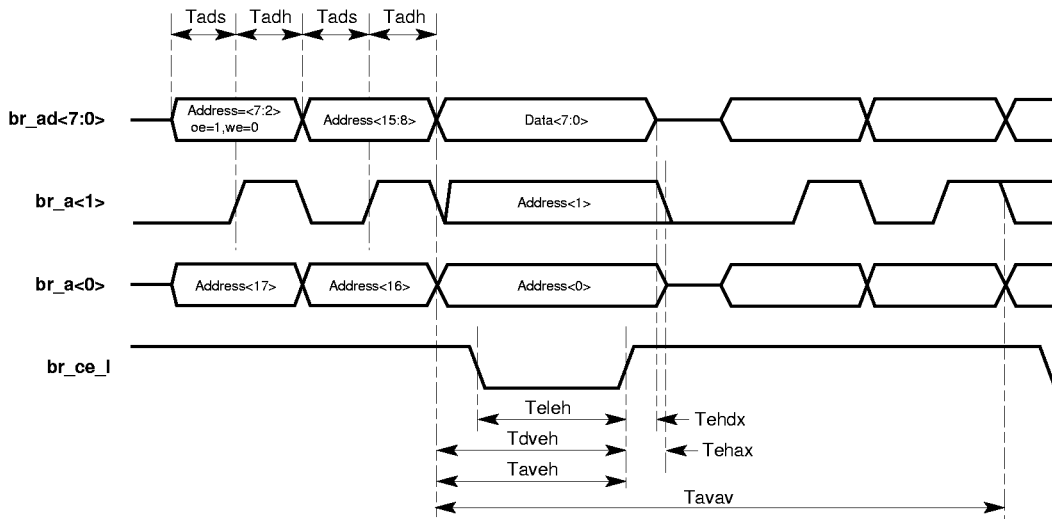
<sup>1</sup>Parameter design guarantee.

## Boot ROM Port Timing

### 3.9.2 Boot ROM Write Timing

Figure 19 shows the boot ROM write timing characteristics, and Table 33 lists the boot ROM write timing limits.

Figure 19 Boot ROM Write Timing Diagram



LJ-04999.A14

Table 33 Boot ROM Write Timing Specifications

Symbol <sup>1</sup>	Parameter	Minimum	Unit
Ttav	Write cycle time	240	ns
Teleh	<b>br_ce_1</b> pulse width	70	ns
Taveh	Address setup to <b>br_ce_1</b> going high	50	ns
Tdveh	Data setup to <b>br_ce_1</b> going high	50	ns
Tehdx	Data hold from <b>br_ce_1</b> going high	10	ns
Tehax	Address hold from <b>br_ce_1</b> high	15	ns
Tads	Address setup to latch enable high	30	ns
Tadh	Address hold from latch enable high	30	ns

<sup>1</sup>There are no maximum specifications.

## Serial ROM Port Timing

### 3.10 Serial ROM Port Timing

Figure 20 shows the serial ROM port timing, and Table 34 lists the characteristics. This timing is identical to the timing for the MII management signals (**mii\_mdio** and **mii\_mdc**).

Figure 20 Serial ROM Port Timing Diagram

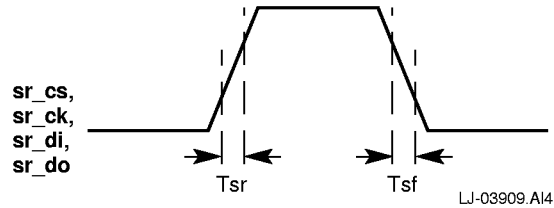


Table 34 Serial ROM Port Timing Characteristics

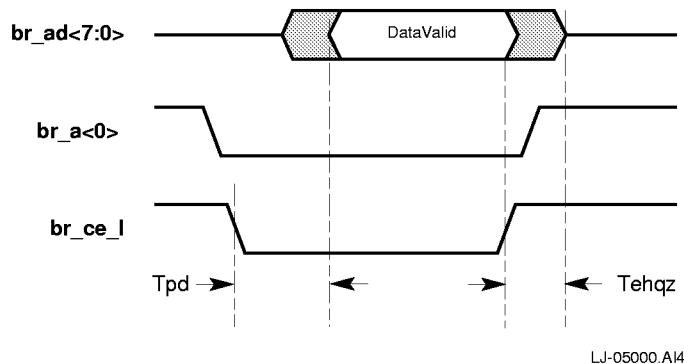
Symbol <sup>1</sup>	Definition	Maximum	Unit
$T_{sr}$	Rise time	10	ns
$T_{sf}$	Fall time	10	ns

<sup>1</sup>There are no minimum specifications.

### 3.11 External Register Timing

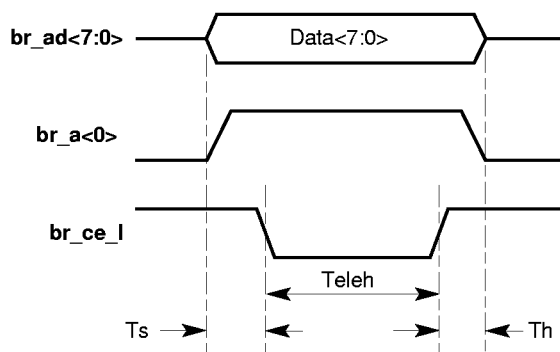
Figure 21 shows the external register read timing characteristics, and Figure 22 shows the write timing characteristics. Table 35 lists the external register timing specifications for both read and write operations.

Figure 21 External Register Read Timing Diagram



## Joint Test Action Group—Test Access Port

Figure 22 External Register Write Timing Diagram



LJ-05001.A14

Table 35 External Register Timing Specifications

Symbol	Parameter	Minimum	Maximum	Unit
$T_{eleh}$	<b>br_ce_l</b> pulse width	120	—	ns
<b>Read Timing</b>				
$T_{pd}$	<b>br_ce_l</b> low to <b>br_ad&lt;7:0&gt;</b> valid high	—	20	ns
$T_{ehqz}^1$	<b>br_ce_l</b> high to <b>br_ad&lt;7:0&gt;</b> high impedance	—	20	ns
<b>Write Timing</b>				
$T_s$	Data setup time prior to <b>br_ce_l</b>	30	—	ns
$T_h$	Data hold after <b>br_ce_l</b> high	30	—	ns

<sup>1</sup>Parameter design guarantee.

### 3.12 Joint Test Action Group—Test Access Port

This section provides the joint test action group (JTAG) test access port specifications.

## Joint Test Action Group—Test Access Port

### 3.12.1 JTAG DC Specifications

Table 36 lists the dc specifications for the JTAG pins.

**Table 36 JTAG DC Specifications**

Symbol	Definition	Condition	Minimum	Maximum	Unit
$V_{oh}$	Output high voltage	$I_{oh} = -4 \text{ mA}$	2.4	—	V
$V_{ol}$	Output low voltage	$I_{ol} = 4 \text{ mA}$	—	0.4	V
$V_{ih}$	Input high voltage	—	2.0	—	V
$V_{il}$	Input low voltage	—	—	0.8	V
$I_{ip}$	Input leakage current on pins with internal pull-ups ( <b>tdi</b> and <b>tms</b> )	$0.0 < V_{in} < v_{dd}$	—	+20/–1000 <sup>1</sup>	$\mu\text{A}$
$I_{oz}$	Tristate output leakage current ( <b>tdo</b> )	$0.0 < V_{out} < v_{dd}$	—	$\pm 20$	$\mu\text{A}$

<sup>1</sup>For pins **tdi** and **tms** that have internal pull-ups, the leakage current can get to 1.0 mA when  $V_{in} = 0 \text{ V}$ .

### 3.12.2 JTAG Boundary-Scan Timing

Figure 23 shows the JTAG boundary-scan timing, and Table 37 lists the interface signal timing relationships.

## Joint Test Action Group—Test Access Port

Figure 23 JTAG Boundary-Scan Timing Diagram

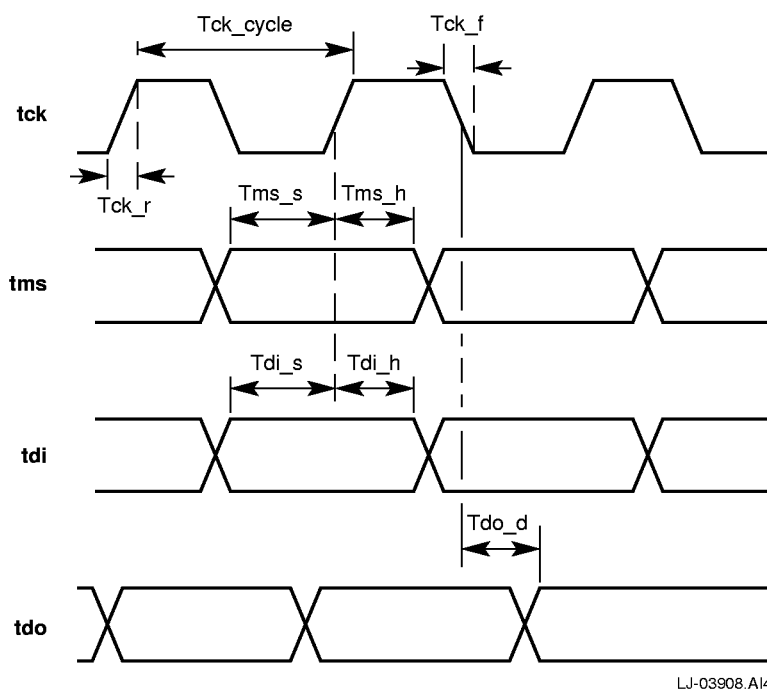


Table 37 JTAG Interface Signal Timing Relationships

Symbol	Parameter	Minimum	Maximum	Unit
Tms_s	<b>tms</b> setup time	20	—	ns
Tms_h	<b>tms</b> hold time	5	—	ns
Tdi_s	<b>tdi</b> setup time	20	—	ns
Tdi_h	<b>tdi</b> hold time	5	—	ns
Tdo_d	<b>tdo</b> delay time	—	20	ns
Tck_r <sup>1</sup>	<b>tck</b> rise time	—	3	ns
Tck_f <sup>1</sup>	<b>tck</b> fall time	—	3	ns
Tck_cycle	<b>tck</b> cycle time	90	—	ns

<sup>1</sup>Parameter design guarantee.

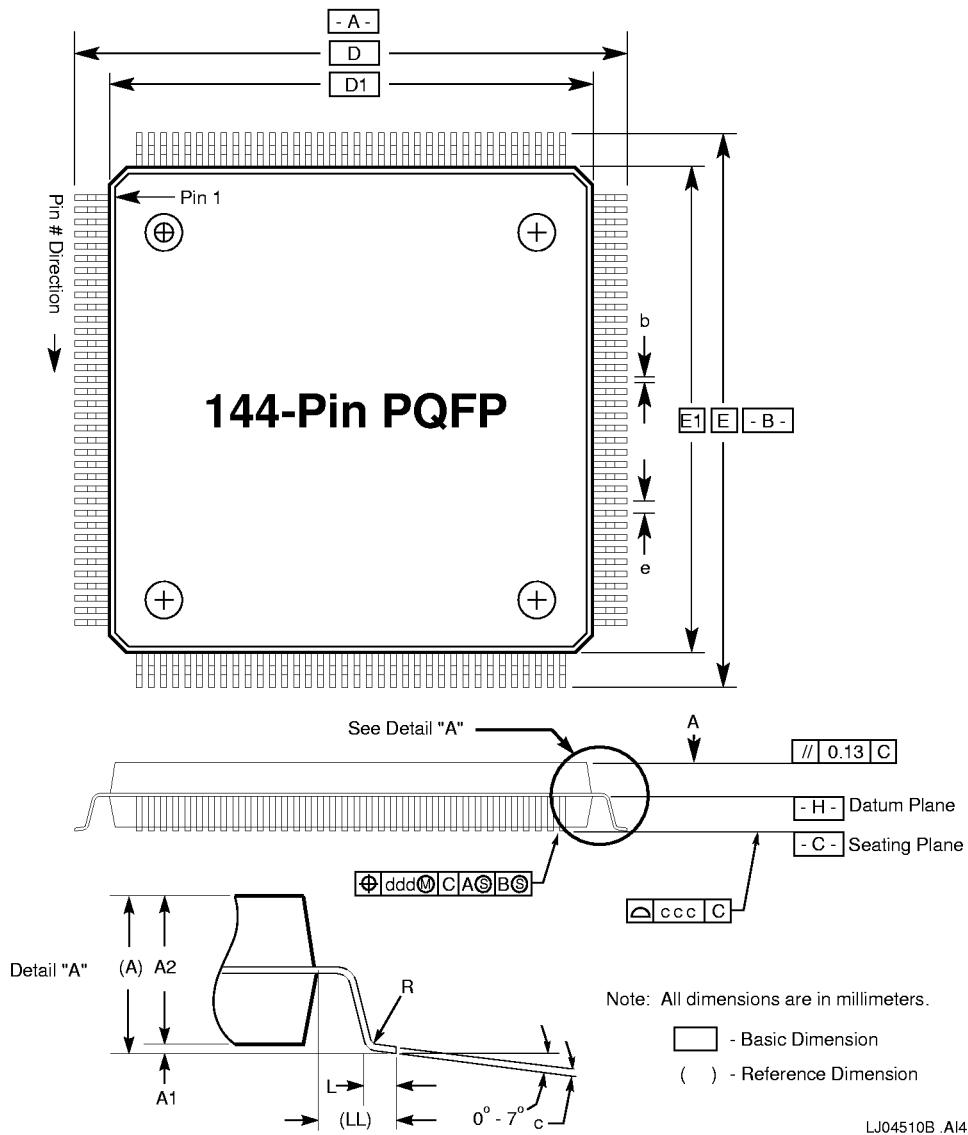
## 4 Mechanical Specifications

The 21143 is contained in either a 144-pin PQFP package type or a 144-pin TQFP package type.

Figure 24 shows the mechanical layout of the PQFP, and Table 38 lists the PQFP package dimensions in millimeters.

Figure 25 shows the mechanical layout of the TQFP, and Table 39 lists the TQFP package dimensions in millimeters.

Figure 24 144-Pin PQFP Package



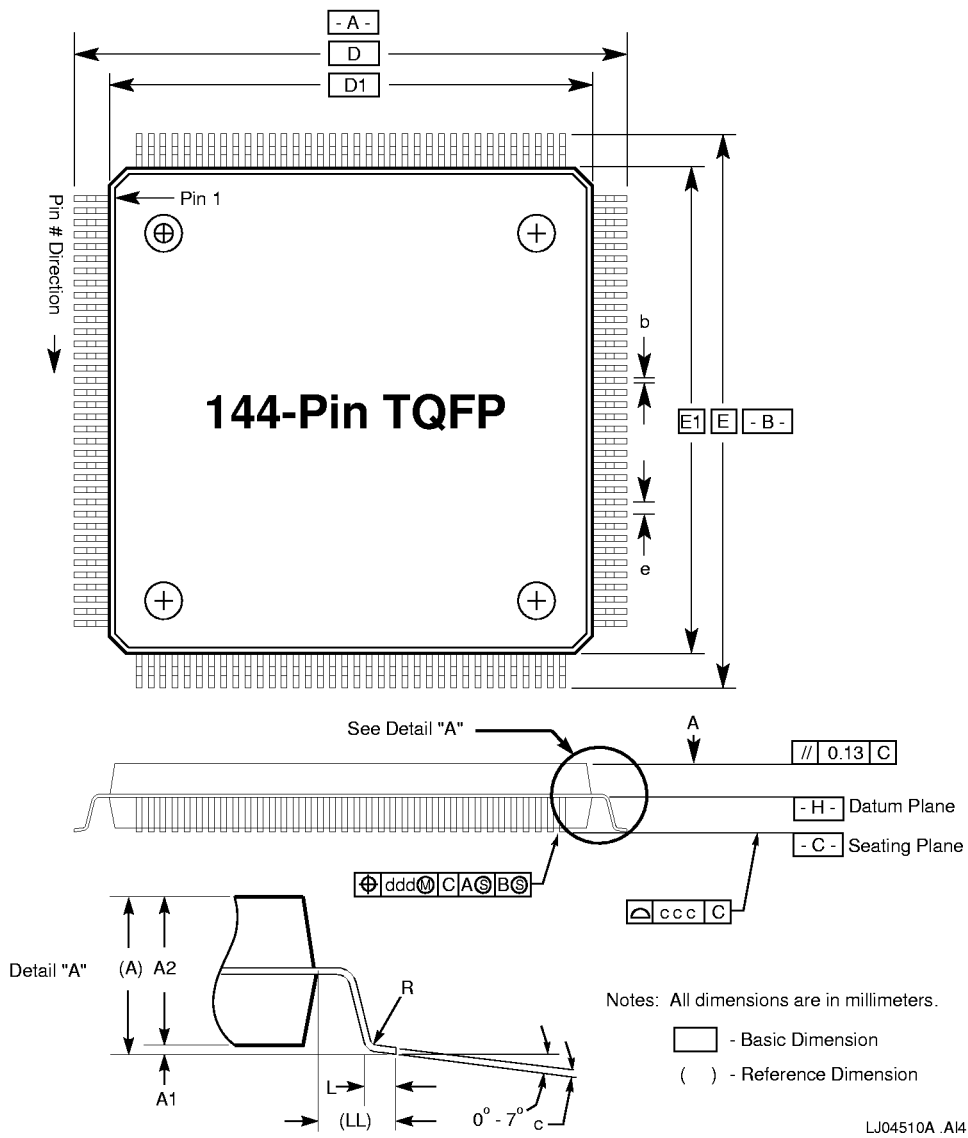
**Table 38 144-Pin PQFP Package Dimensions**

Symbol	Dimension	Value (mm)
LL	Lead length	1.60 reference <sup>1</sup>
e	Lead pitch	0.65 BSC <sup>2</sup>
L	Foot length	0.65 minimum to 1.03 maximum
A	Package overall height	4.1 maximum
A1	Package standoff height	0.25 minimum
A2	Package thickness	3.17 minimum to 3.67 maximum
b	Lead width	0.22 minimum to 0.38 maximum
c	Lead thickness	0.12 minimum to 0.23 maximum
ccc	Coplanarity	0.10
ddd	Lead skew	0.13
D	Package overall width	31.20 BSC
D1	Package width	28.00 BSC
E	Package overall length	31.20 BSC
E1	Package length	28.00 BSC
R	Ankle radius	0.13 minimum to 0.30 maximum

<sup>1</sup>The value for this measurement is for reference only.

<sup>2</sup>ANSI Y14.5M–1982 American National Standard Dimensioning and Tolerancing, Section 1.3.2, defines Basic Dimension (BSC) as: A numerical value used to describe the theoretically exact size, profile, orientation, or location of a feature or datum target. It is the basis from which permissible variations are established by tolerances on other dimensions, in notes, or in feature control frames.

Figure 25 144-Pin TQFP Package



**Table 39 144-Pin TQFP Package Dimensions**

Symbol	Dimension	Value (mm)
LL	Lead length	1.00 reference <sup>1</sup>
e	Lead pitch	0.50 BSC <sup>2</sup>
L	Foot length	0.45 minimum to 0.75 maximum
A	Package overall height	1.60 maximum
A1	Package standoff height	0.05 minimum
A2	Package thickness	1.35 minimum to 1.45 maximum
b	Lead width	0.17 minimum to 0.27 maximum
c	Lead thickness	0.09 minimum to 0.20 maximum
ccc	Coplanarity	0.08
ddd	Lead skew	0.08
D	Package overall width	22.00 BSC
D1	Package width	20.00 BSC
E	Package overall length	22.00 BSC
E1	Package length	20.00 BSC
R	Ankle radius	0.08 minimum to 0.20 maximum

<sup>1</sup>The value for this measurement is for reference only.

<sup>2</sup>ANSI Y14.5M–1982 American National Standard Dimensioning and Tolerancing, Section 1.3.2, defines Basic Dimension (BSC) as: A numerical value used to describe the theoretically exact size, profile, orientation, or location of a feature or datum target. It is the basis from which permissible variations are established by tolerances on other dimensions, in notes, or in feature control frames.

## Support, Products, and Documentation

To view current product update and errata revision information, please visit the DIGITAL Semiconductor World Wide Web Internet site. You may also visit this website for technical support, a *DIGITAL Semiconductor Product Catalog*, or help deciding which documentation best meets your needs:

**<http://www.digital.com/semiconductor>**

You can also contact the DIGITAL Semiconductor Information Line or the DIGITAL Semiconductor Customer Technology Center for support.

---

**For documentation and general information:**

---

**DIGITAL Semiconductor Information Line**

United States and Canada: 1-800-332-2717  
Outside North America: 1-510-490-4753  
Electronic mail address: semiconductor@digital.com

---

---

**For technical support, product updates, and errata documentation:**

---

**DIGITAL Semiconductor Customer Technology Center**

Phone (U.S. and international): 1-978-568-7474  
Fax: 1-978-568-6698  
Electronic mail address: ctc@hlo.mts.dec.com

---

## DIGITAL Semiconductor Products

To order the DIGITAL Semiconductor 21143 PCI/CardBus 10/100-Mb/s Ethernet LAN Controller and the DIGITAL Semiconductor 21143 evaluation board kits, contact your local distributor. The following tables list some of the semiconductor products available from DIGITAL Semiconductor.

**Note:** The following products and order numbers might have been revised. For the latest versions, contact your local distributor.

Chips	Order Number
DIGITAL Semiconductor 21143 PCI/CardBus 10/100-Mb/s Ethernet LAN Controller (PQFP package)	21143-PC
DIGITAL Semiconductor 21143 PCI/CardBus 10/100-Mb/s Ethernet LAN Controller (TQFP package)	21143-TC
DIGITAL Semiconductor 21140A PCI Fast Ethernet LAN Controller	21140-AF

Evaluation board kits include an evaluation board, and can include a complete design kit, an installation kit, or an accessories kit.

Evaluation Board Kits	Order Number
DIGITAL Semiconductor 21143 PCI Evaluation Board Kit	21A43-03
DIGITAL Semiconductor 21140A 10/100BASE-TX Evaluation Board Kit	21A40-TX

## DIGITAL Semiconductor Documentation

The following table lists some of the available DIGITAL Semiconductor documentation.

Title	Order Number
DIGITAL Semiconductor 21143 PCI/CardBus 10/100-Mb/s Ethernet LAN Controller Product Brief	EC-QWC2A-TE
DIGITAL Semiconductor 21143 PCI/CardBus 10/100-Mb/s Ethernet LAN Controller Hardware Reference Manual	EC-QWC4E-TE
Using the DIGITAL Semiconductor 21143 Boot ROM, Serial ROM, and External Register: An Application Note	EC-QYZ1A-TE

<b>Title</b>	<b>Order Number</b>
DIGITAL Semiconductor 21143 Connection to the Network Using MII-based Physical Layer Devices: An Application Note	EC-QXY7A-TE
DIGITAL Semiconductor 21140A PCI Fast Ethernet LAN Controller Product Brief	EC-QN7MB-TE
DIGITAL Semiconductor 21140A PCI Fast Ethernet LAN Controller Data Sheet	EC-QN7PF-TE
DIGITAL Semiconductor 21140A PCI Fast Ethernet LAN Controller Hardware Reference Manual	EC-QN7NF-TE

### Third-Party Documentation

You can order the following third-party documentation directly from the vendor.

<b>Title</b>	<b>Vendor</b>
PCI Local Bus Specification, Revision 2.0	PCI Special Interest Group
PCI Local Bus Specification, Revision 2.1	1-800-433-5177 (U.S.)
PCI BIOS Specification, Revision 2.0	1-503-797-4207 (International)
PCI BIOS Specification, Revision 2.1	1-503-234-6762 (Fax)
Institute of Electrical and Electronics Engineers (IEEE) 802.3 and 1149.1	The Institute of Electrical and Electronics Engineers, Inc. 1-800-701-4333 (U.S.) 1-908-981-0060 (International) 1-908-981-9667 (Fax)