

PLEASE CHECK WWW.MOLEX.COM FOR LATEST PART INFORMATION

Part Number: [73415-1060](#)
Status: **Active**
Overview: MCX Subminiature RF Connectors
Description: MCX Edge Mount PCB Jack Receptacle

Documents:

[Drawing \(PDF\)](#) [RoHS Certificate of Compliance \(PDF\)](#)

General

| | |
|-----------------|--|
| Product Family | RF/Coax Connectors |
| Series | 73415 |
| Comments | Edge Mount |
| Overview | MCX Subminiature RF Connectors |
| Product Name | MCX |
| Style | PCB |
| UPC | 800756039237 |
| Wire/Cable Type | N/A |

Physical

| | |
|-----------------------|-----------------------|
| Cable Attachment | N/A |
| Gender | Jack |
| Keying to Mating Part | None |
| Net Weight | 1.141/g |
| Orientation | Right Angle |
| PCB Mounting | Edge Mount |
| Packaging Type | Embossed Tape on Reel |
| Panel Mount | No |
| Panel Mount Method | N/A |
| Reverse Polar | No |

Electrical

| | |
|-----------|-----|
| Impedance | 50# |
|-----------|-----|

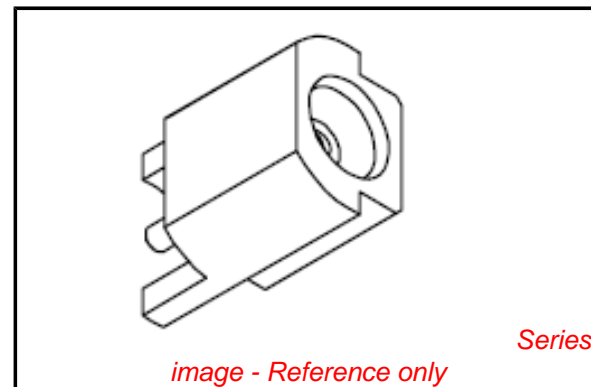
Solder Process Data

| | |
|--|------------------------------|
| Duration at Max. Process Temperature (seconds) | 10 |
| Lead-free Process Capability | SMC & Wave Capable (TH only) |
| Max. Cycles at Max. Process Temperature | 2 |
| Process Temperature max. C | 260 |

Material Info

Reference - Drawing Numbers

| | |
|---------------|----------------------------|
| Sales Drawing | SD-73366-633, SD-73415-106 |
|---------------|----------------------------|



EU RoHS

RoHS Compliant RF Product

REACH SVHC

Not Reviewed

Low-Halogen Status

Low-Halogen

China RoHS



Pb

Need more information on product environmental compliance?

Email productcompliance@molex.com
 For a multiple part number RoHS Certificate of Compliance, [click here](#)

Please visit the [Contact Us](#) section for any non-product compliance questions.

Search Parts in this Series

[73415Series](#)