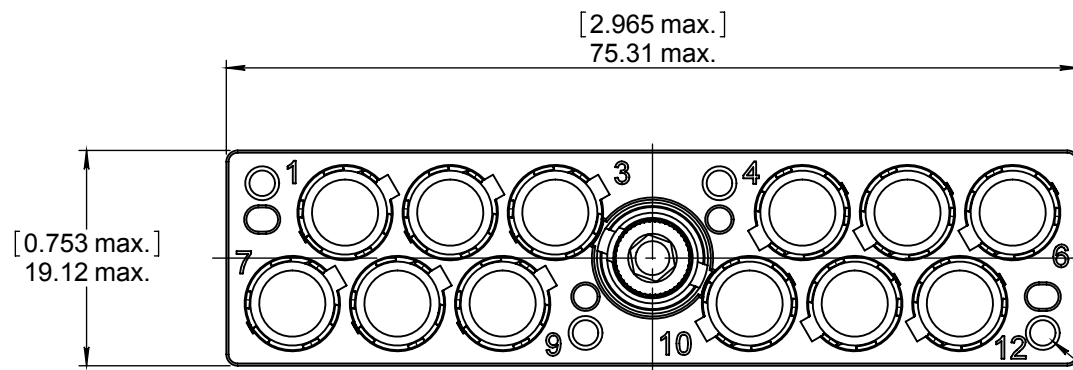
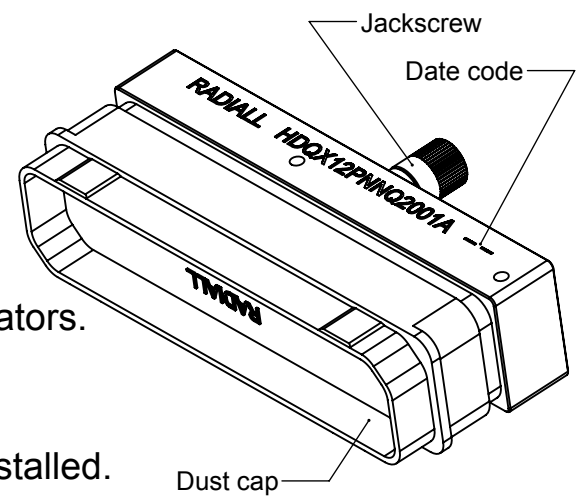
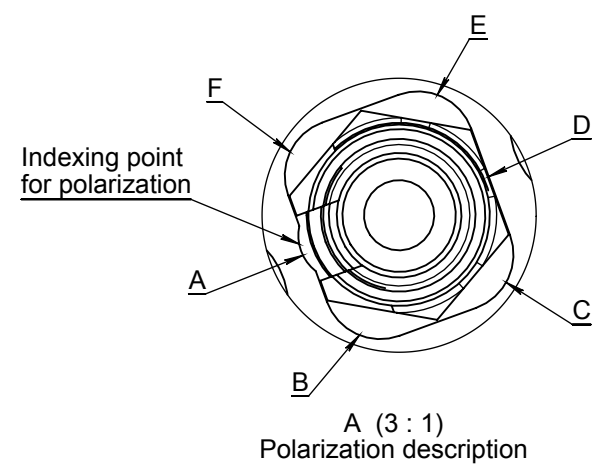
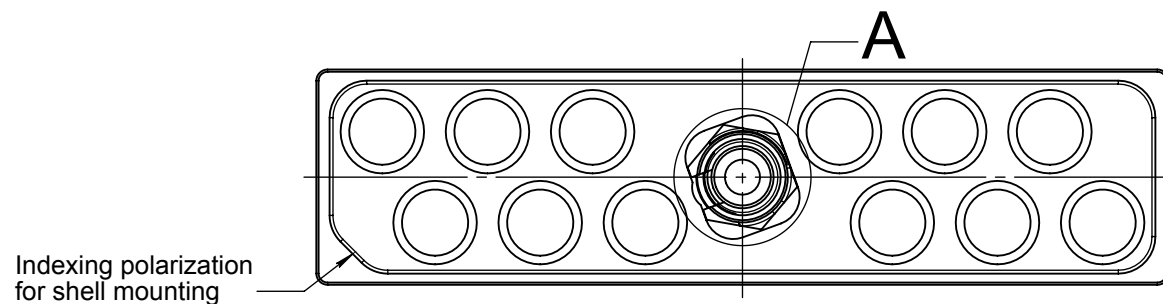
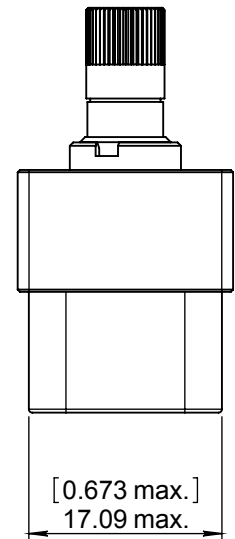
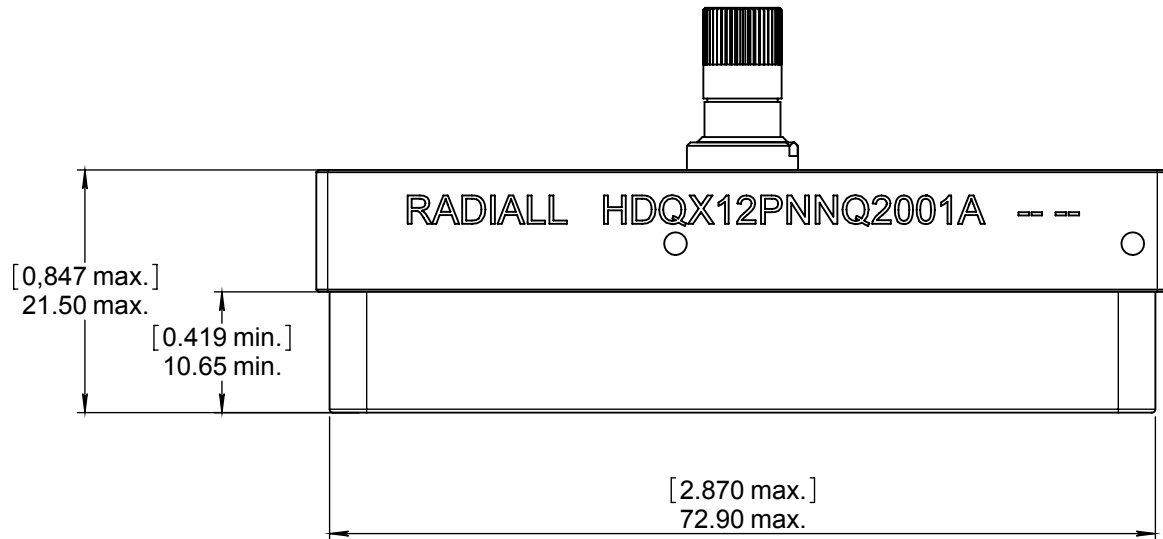


**Series**  
**HDQX**
**PLUG CONNECTOR**  
 WITH 12 SIZE 8 RR/RR CRIMP SOCKET QUADRAX CONTACTS FOR NF24Q100 CABLE

**Issue:**  
 Dec 21, 2015

**Page**  
**1/1**

 4 Self-locking threads for strain relief only  
 For 4-40 UNC 2A screws

**MATERIALS & FINISHES :**

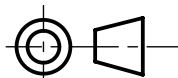
- SHELL: Aluminum alloy, Nickel plated.
- CONTACT RETENTION CLIPS: Copper alloy, Nickel plated.
- QUADRAX : Copper alloy, gold over nickel plated, PTFE for quadrax insulators.
- JACKSCREW: Stainless steel.

**DELIVERED WITH :**

- 12 size 8 RR/RR Crimp Socket quadrax contacts, P/N: 620 075 050 ; uninstalled.
- Jackscrew ,P/N: 617 612 801, installed in A polarization

**NOTE :**

- If a locking device has to be mounted, use MIAC 17 00003.

**DIMENSIONS : mm (inch are given for information only)**


Estimated weight : 112 g

This document contains proprietary information and such information shall not be disclosed to any third party for any purpose whatsoever or used for manufacturing purposes without prior written agreement from RADIAL. This information is given as an indication. In the continual goal to improve our products, we reserve the right to make any modifications judged necessary.

4112\_9311

<b>CREATION</b>				
<b>PEN:</b>				
<b>NOM: PAILOT N.</b>				
<b>DATE: Dec 21, 2015</b>	/	/	/	/
<b>APPR.: VIEIRA D.</b>	Issue	Revisions	Name	Approved

HDQX12PNNQ2001AEN

RADIAL PROPRIETARY INFORMATION