

LED GRAPHIC DISPLAY UNIT

Stanley LED graphic displays made with super bright LEDs guarantee a bright and clear display. Including 144, 160, 240, Stanley provides 2digit type LED such as 64, 96 and 4 digit type LED mini modules such as 32, 40 and many other different kinds of LEDs.

DESCRIPTION OF PART NO.

LMD 04 A - C RG -

OUTER DIMENSIONS	No. of Dot	TYPE	EMITTED COLOR	DUTY	SUFFIX
04 : 64	256 (16X16)	C : Chip	4 : 1/4 duty		
06 : 96		L : Lamp	8 : 1/8 duty		
09 : 144			Green	16 : 1/16 duty	
10 : 160			(Bicolor)	S : Static	
15 : 240					

LED Mini Module

MM 12 16 C - RG 4 - L

OUTER DIMENSIONS	No. of Dot	Type	EMITTED COLOR	No. of Digit	SUFFIX
12 : 1.2 inch (32mm)	256 (16X16)	C : Chip	4 : 4		
15 : 1.5 inch (40mm)			RG : Red, Green		
			(Bicolor)		

CHARACTERISTICS BY COLOR

Emitted Color	Peak Wavelength λ p	Operating Temp. (Topr.)			Storage Temp. Tstg.		
		TYP.	If	LMD Series	MM Series※1	LMD Series	MM Series※1
Bicolor	Red	660	20	-20~+45	-5~+45	-30~+80	-20~+70
	Green	570	20				
Units	nm		mA	°C			

※1 When being used, the temperature of case should below 70°C.

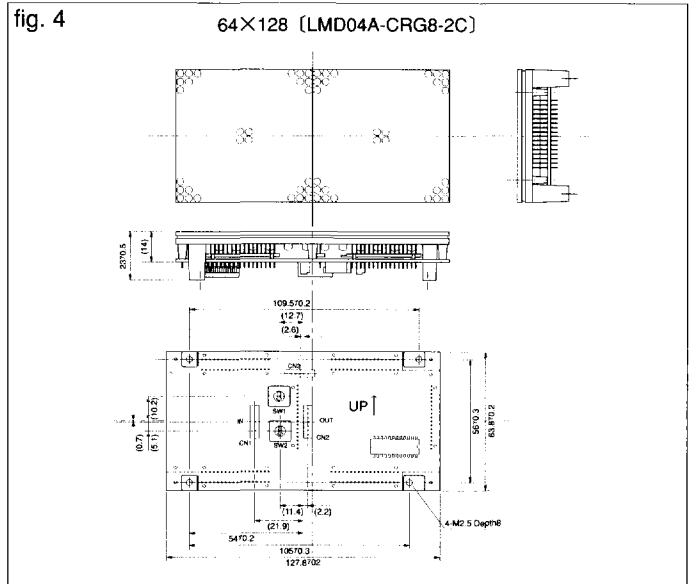
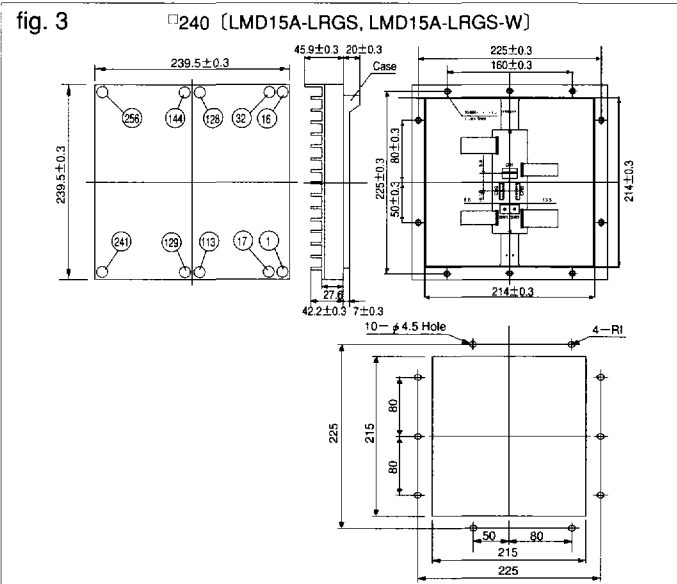
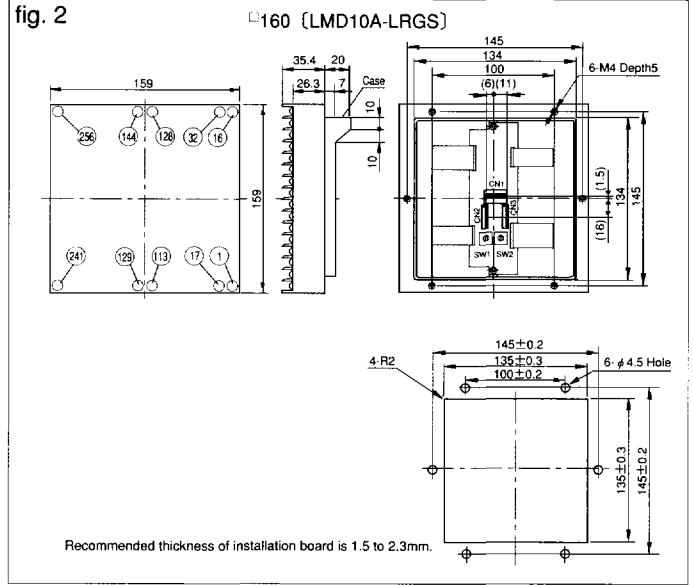
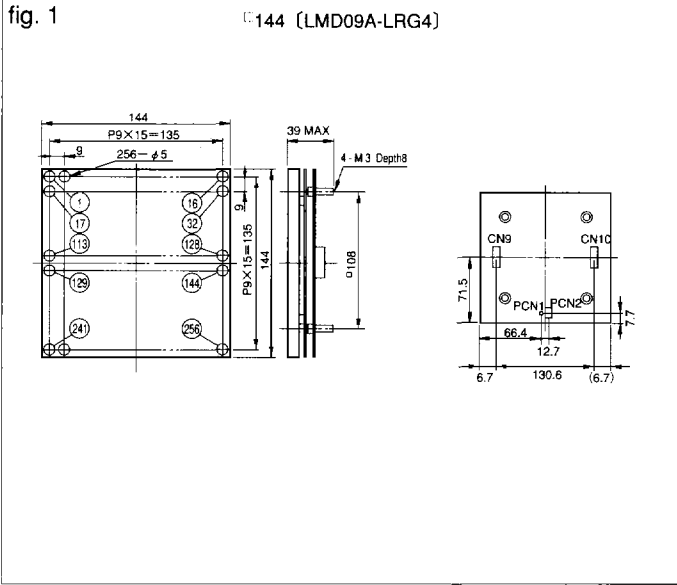
CHARACTERISTICS BY SHAPE

Ta=25°C

Size W×H	Shape	Part No.	Emitted Color	Dot Size	Dot Pitch	Dot Format	Logic Circuit		Display Circuit		Luminosity TYP.	Viewing Angle MIN.	Data Transmission Speed MAX.	Driving Method	fig
							Input Volt. Vcc1	Current Consumption Icc1MAX.	Input Volt. Vcc2	Current Consumption Icc2MAX.					
□144		LMD09A-LRG4	Red	5.0	9	16×16	5±0.25	150	5±0.25	4.0	150	90	2.0	1/4 Duty Drive	1
			Green								250				
□160		LMD10A-LRGS	Red	7.5	10	16×16	5±0.25	300	2.75 ±0.25	10.5	1800	80	2.0	Static Drive	2
			Green								800				
□240		LMD15A-LRGS	Red	12	15	16×16	5±0.25	600	5±0.25	10.1	2400	30	10	Static Drive	3
			Green								1500				
□240		LMD15A-LRGS-W	Red	12	15	16×16	5±0.25	600	5±0.25	10.1	1800	60	10	Static Drive	3
			Green								1200				
64 × 128		LMD04A-CRG8-2C	Red	3	4	16×32	5±0.25	100	3.25 ±0.25	5.0	120	90	1.0	1/8 Duty Drive	4
			Green								200				
64 × 128		LMD04A-CRG16-2L	Red	3	4	16×32	5±0.25	120	3±0.25	3.6	90	120	2.0	1/16 Duty Drive	5
			Green								135				
64 × 128		LMD04A-CRG16-2CL	Red	3	4	16×32	5±0.25	120	3±0.25	3.6	100	90	2.0	1/16 Duty Drive	5
			Green								150				
96 × 192		LMD06A-CRG16-2L	Red	4.8	6	16×32	5±0.25	150	3±0.25	3.6	90	120	2.0	1/16 Duty Drive	6
			Green								100				
32 × 128		MM1216C-RG4-L	Red	1.6	2	16×64	5±0.25	120	3±0.25	2.4	70	120	10	1/16 Duty Drive	7
			Green								100				
40 × 160		MM1516C-RG4-L	Red	1.8	2.5	16×64	5±0.25	500	3±0.25	3.7	55	120	7.5	1/16 Duty Drive	8
			Green								65				
mm	Units			mm	mm	dot	V	mA	V	A	cd/m²	deg	MHz		

● -2 : 2 digit type ● -2C : 2 digit clear see type

▼MODULE DIMENSIONS Unit : mm



LED GRAPHIC DISPLAY UNIT



▼MODULE DIMENSIONS Unit : mm

