

EASY FIT STRAIGHT PLUG CLAMP TYPE FOR CORRUGATED CABLES (2 piece design)

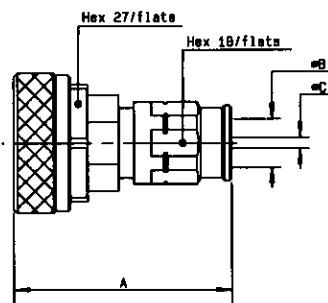
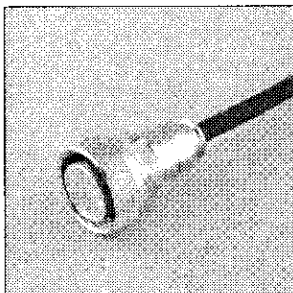


Fig 1

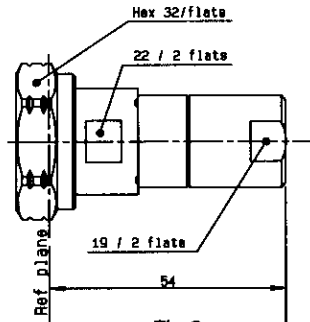


Fig 2

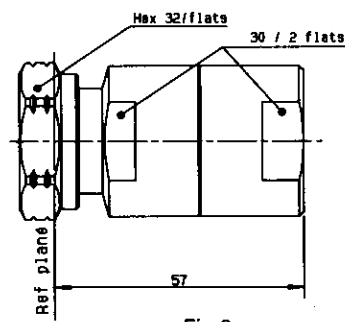


Fig 3

cable	part number	fig.	dimension			capt. center cont.	assembly	finish	note
			A	B	C				
1/4" spiraled	R185 030 200	1	47	7.95	4.7	yes	M02	Silver+BBR	
1/2" annealed	R185 031 000	2				yes	M08	Silver	multi piece design
1/2" spiraled	R185 031 200	1	49	14	8.8	yes	M02	Silver+BBR	
3/8" spiraled	R185 032 200	1	49	11	7.1	yes	M02	Silver+BBR	
7/8" annealed	R185 033 000	3				yes	M07	Silver	

STRAIGHT PLUG SOLDER TYPE FOR SEMI RIGID CABLES

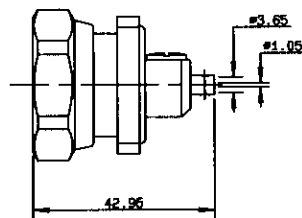
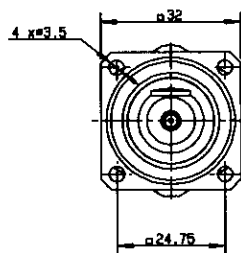
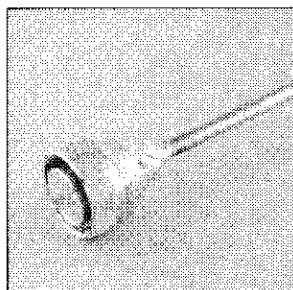


Fig 1

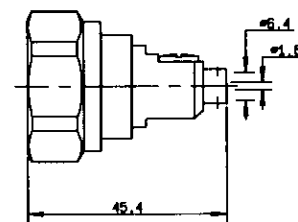


Fig 2

cable	part number	fig	panel	capt. center cont.	assembly	finish	note
.141"	R185 102 400*	1	P10	yes	M13	Silver	square flange
.250"	R185 054 020*	2		yes	M12	Silver	

* Manufactured upon request

Note : standard packaging = 20 pieces. For unit packaging, add "W" after the P/N.