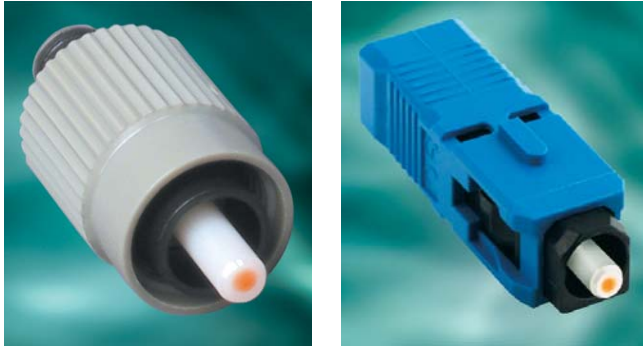




8308 SC and 8208 FC

Hot Melt Connectors

Ultra High Temp Single-mode



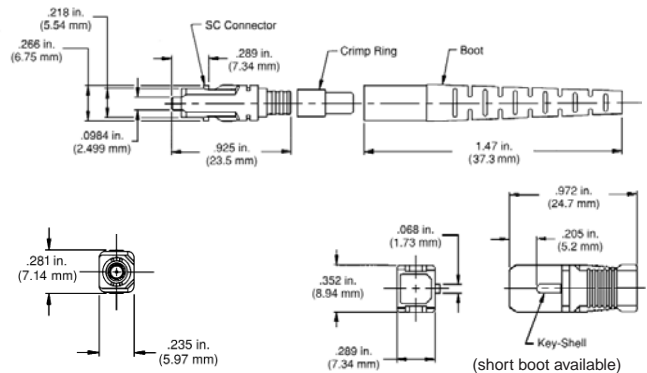
3M SC and FC Ultra High Temp Hot Melt Connectors are the first connectors in the industry to be truly field mountable and meet Telcordia environmental specifications for single-mode telephony.

Think of the headaches that you have with managing cable assembly inventories and the logistics of ordering the correct length. These problems can be solved by pulling the cable first and then terminating the connector at the frame. 3M's Hot Melt connectors can now be used in telephony applications to make central office and outside plant installations neat and easy.

3M™ Ultra High Temp Hot Melt Connectors have been tested to 100°C (212°F) and can be used in even the hottest outdoor environments.

3M's years of experience with preloaded adhesive in fiber optic connectors has enabled the development of a connector with all the advantages of Hot Melt, including the ability to reheat and reposition the fiber in the termination process. This is an easy-to-install field-mount connector with no additional internal splice and the proven fiber retention of Hot Melt connectors.

SC Connector



Features

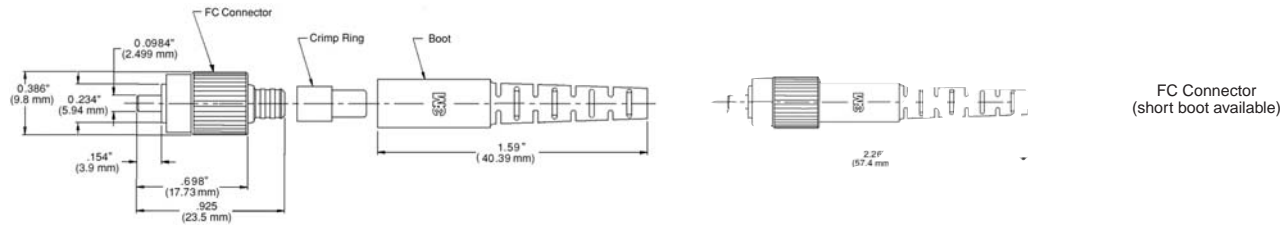
- Designed to meet Telcordia GR-326-CORE, Issue 3 single-mode environmental specifications and exceeds TIA/EIA 568-B.3 standard
- Ease of use on site
- Allows custom length cable assemblies to be built on site
- No pre-polished stub with internal splice
- Proven adhesive for fiber retention
- <0.2dB change at 100°C (212°F)
- 3M field-polishing process produces -55 dB reflection
- Pre-loaded adhesive
- Re-heatable adhesive
- Red dot of adhesive

Benefits

- Meets or exceeds telephone and data industry requirements for long-term reliability, except as noted below*
- Quick termination in <2 minutes; High-yield
- Enhances cable management in CO or network
- Eliminates quality inspection for cable slack
- Reduces cable assembly inventory
- Single fiber interface provides low loss
- Not dependent on mechanical retention alone
- Stable in outside plant environment
- Reliable in high-speed transmission
- No epoxy mess; no pot life
- Allows fiber repositioning; High-yield
- Easier to see when polishing is complete

* SC connectors pass all of the mechanical tests in Telcordia GR-326, except transmission under applied tensile load at a 90° pull of 3.3 lbs. or greater. This is consistent with other SC connectors that adhere to the NTT standard boot design. Transmission returns to the original readings as soon as the load is released.

FC Connector



Specifications

Product Number	8308 SC and 8208 FC
Operating and Storage Temperature	-40°C to 100°C (-40°F to 212°F)
Insertion Loss* (one mated pair)	<0.2 dB typical
Reflection*	<-55 dB typical
Mating Durability (500 matings)	<0.2 dB change
Proof Test	
Straight Pull	<0.2 dB increase @ 15 lbs.
Side Pull	<0.2 dB increase @ 7.5 lbs.
Testing Specification	Telcordia GR-326-CORE, TIA/EIA 568.B
Materials and Identification	
Ferrule	Zirconia Ceramic
Housing Body	Engineered Resin
Boot	Thermoplastic Elastomer
Flame Retardancy	UL-94 V-0
Adhesive	Red dot on ferrule

*Single-mode connectors tested at 1310 nm and 1550 nm

Ordering Information

Model Number	Description	MOQ	Packaging
8308-U	SC SM UHT Hot Melt Connector, blue boot	60 each	1/bag, 60/carton
8308-U1K	SC SM UHT Hot Melt Connector, Bulk, blue boot	1,000 each	1,000/carton
8208-U	FC SM UHT Hot Melt Connector, blue boot	60 each	1/bag, 60/carton
8208-U1K	FC SM UHT Hot Melt Connector, Bulk, blue boot	1,000 each	1,000/carton
Kits and Accessories			
6355	Hot Melt Termination Kit for 3M ST, FC, SC Hot Melt Connectors, 120V	1 each	Kit
6351	Hot Melt Termination Kit for 3M ST, FC, SC Hot Melt Connectors, 230V	1 each	Kit
6355-U	UHT Hot Melt Upgrade Kit	1 each	Kit
05-00053	Soft Polishing Pad	1	1/carton
661X-0.5S	0.5 µm Diamond Lapping Film	5 sheets	5 shts/pkg 100/carton
863X-0.02S	0.02 µm Lapping Film	50 sheets	50 shts/carton
6850-A	Hot Melt Polishing Machine	1 Kit	Kit

Important Notice

All statements, technical information, and recommendations related to 3M's products are based on information believed to be reliable, but the accuracy or completeness is not guaranteed. Before using this product, you must evaluate it and determine if it is suitable for your intended application. You assume all risks and liability associated with such use. Any statements related to the product which are not contained in 3M's current publications, or any contrary statements contained on your purchase order shall have no force or effect unless expressly agreed upon, in writing, by an authorized officer of 3M.



Telecom Enterprise Department 3M Telecommunications

6801 River Place Blvd.
Austin, TX 78726-9000
800-695-0447
FAX 800-626-0329
www.3MTelecommunications.com

Warranty; Limited Remedy; Limited Liability.

This product will be free from defects in material and manufacture for a period of 1 year from the date of purchase. **3M MAKES NO OTHER WARRANTIES INCLUDING, BUT NOT LIMITED TO, ANY IMPLIED WARRANTY OF MERCHANTABILITY OR FITNESS FOR A PARTICULAR PURPOSE.** If this product is defective within the warranty period stated above, your exclusive remedy shall be, at 3M's option, to replace or repair the 3M product or refund the purchase price of the 3M product. **Except where prohibited by law, 3M will not be liable for any loss or damage arising from this 3M product, whether direct, indirect, special, incidental or consequential regardless of the legal theory asserted.**

Patented U.S. and in foreign countries

3M is a trademark of 3M Company.



Minimum 10%
Post-Consumer Fiber

Printed in USA.

© 3M 2003 80-6111-3196-4