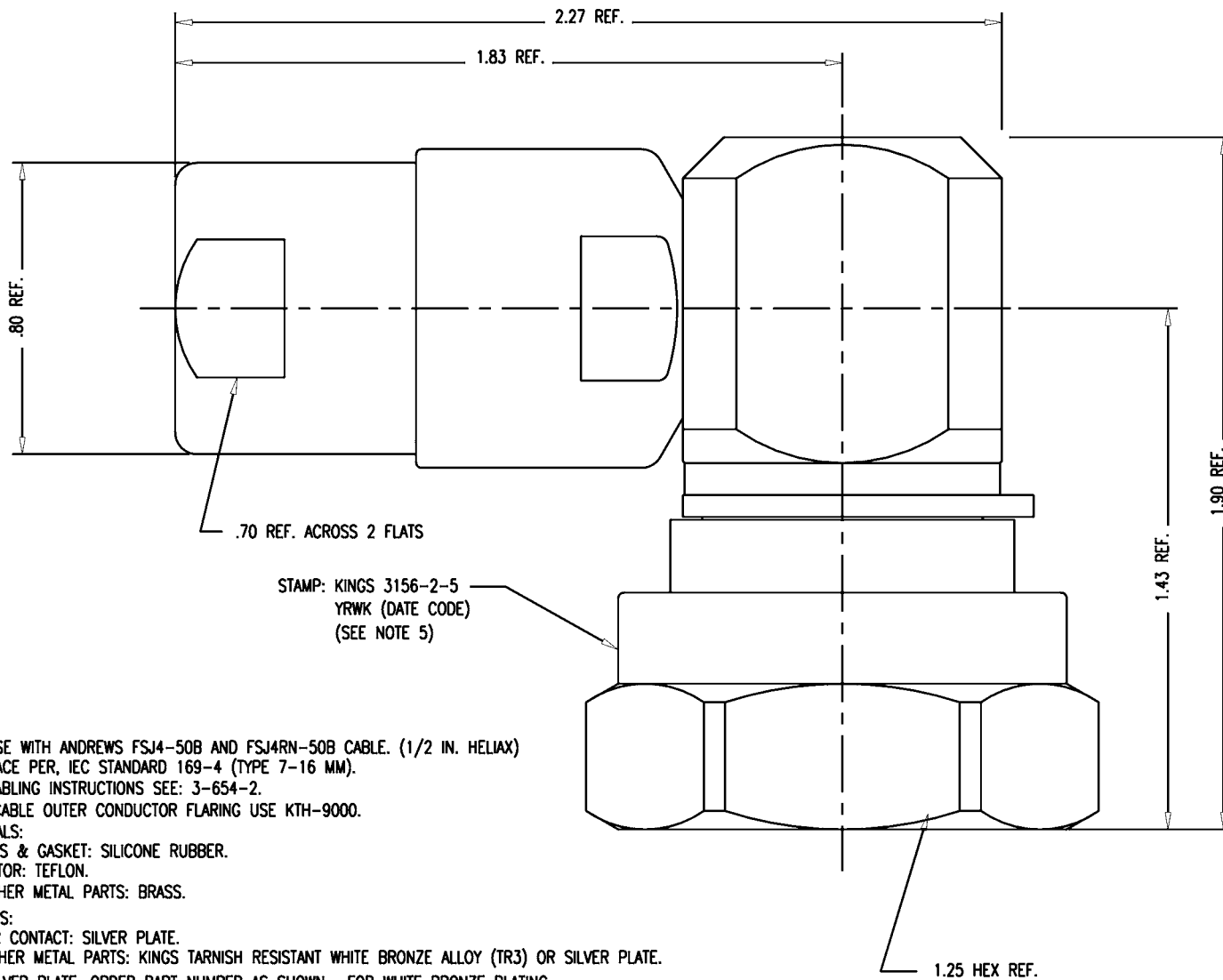


SD



## NOTES:

1. FOR USE WITH ANDREWS FSJ4-50B AND FSJ4RN-50B CABLE. (1/2 IN. HELIAX)
2. INTERFACE PER, IEC STANDARD 169-4 (TYPE 7-16 MM).
3. FOR CABLING INSTRUCTIONS SEE: 3-654-2.
- 3A. FOR CABLE OUTER CONDUCTOR FLARING USE KTH-9000.
4. MATERIALS:  
O RINGS & GASKET: SILICONE RUBBER.  
INSULATOR: TEFLON.  
ALL OTHER METAL PARTS: BRASS.
5. FINISHES:  
CENTER CONTACT: SILVER PLATE.  
ALL OTHER METAL PARTS: KINGS TARNISH RESISTANT WHITE BRONZE ALLOY (TR3) OR SILVER PLATE.  
FOR SILVER PLATE, ORDER PART NUMBER AS SHOWN. FOR WHITE BRONZE PLATING, ADD "MJ3" SUFFIX TO THE PART NUMBER SHOWN, FOR EXAMPLE 3156-2-5 MJ3.
6. ELECTRICAL CHARACTERISTICS:  
NOMINAL IMPEDANCE: 50 OHMS.  
FREQUENCY RANGE: DC TO 6.0 GHz.  
OPERATING VOLTAGE: 1000 VRMS.

## REVISIONS

ISSUE	CHANGES
0	ER 38187 HVN 01/22/01
1	CN 38377 A HVN 08/14/01
2	CN 38442 E TML 11/29/01

3156-2-5

3156-2-5S

SCALE 3:1

APPROX SURFACE AREA

USED ON

REF:

7-16, PL ANG.

DRAWN HVN DATE 03/05/01

DESIGN LJ DATE 10/01/97

APPR. DATE

**KINGS**  
ELECTRONICS CO., INC.  
ROCK HILL, SOUTH CAROLINA 29730

3156-2-5

SD