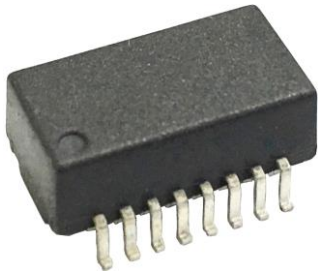


BXRT Series



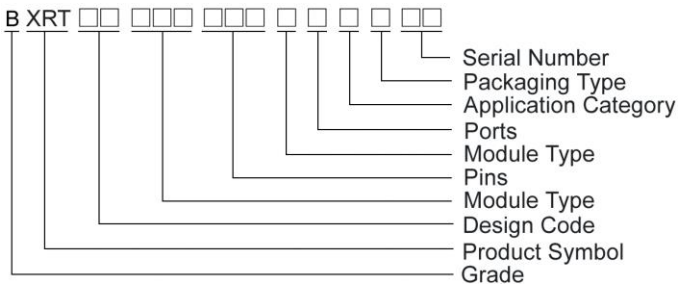
Features

- Compliant and peak reflow temperature rating 245°C
- Meets IEEE802.3 specification
- Comply with ROHS & Halogen Free requirements
- Excellent common mode noise suppression

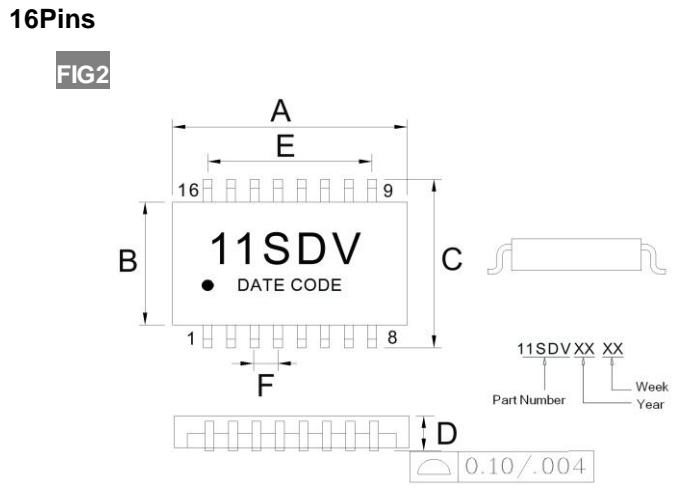
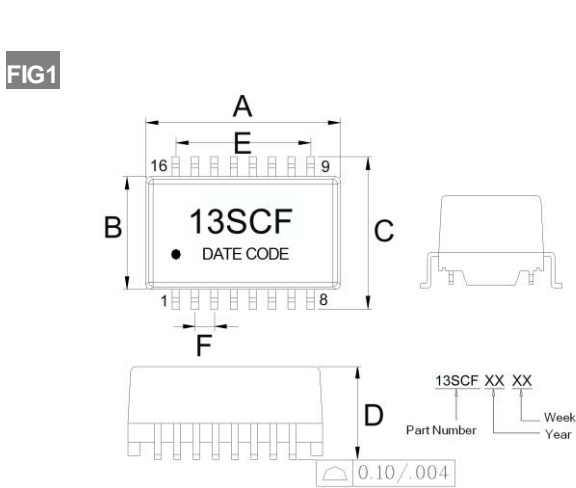
Applications

- Ethernet Application
- Power of Ethernet Application

Product Identification



Mechanical Dimension

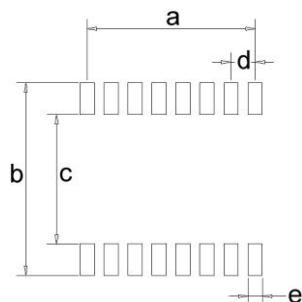


Dimensions in mm

TYPE	FIG	A	B	C	D	E	F
BXRT00DIS016M13SCF	1	12.80±0.25	6.90±0.25	9.30±0.25	5.65±0.25	8.89±0.25	1.27±0.25
BXRT00DIS016M11SDV	2	12.70±0.25	7.00±0.25	9.60±0.25	2.00±0.25	8.89±0.25	1.27±0.25
BXRT00DIS016M11SDQ	1	12.80±0.25	6.90±0.25	9.30±0.25	5.65±0.25	8.89±0.25	1.27±0.25
BXRT00DIS016M11SDW	1	12.80±0.25	6.9±0.25	9.30±0.25	5.65±0.25	8.89±0.25	1.27±0.25
BXRT00DIS016M13SCH	1	12.80±0.25	6.90±0.25	9.30±0.25	5.65±0.25	8.89±0.25	1.27±0.25
BXRT00DIS016M13SCJ	1	12.80±0.25	6.90±0.25	9.30±0.25	5.65±0.25	8.89±0.25	1.27±0.25
BXRT00DIS016M13SCK	1	12.80±0.25	6.90±0.25	9.30±0.25	5.65±0.25	8.89±0.25	1.27±0.25

Ethernet Discrete Lan Transformer Single Port – BXRT Series

Suggested Land Pattern



Dimensions in mm

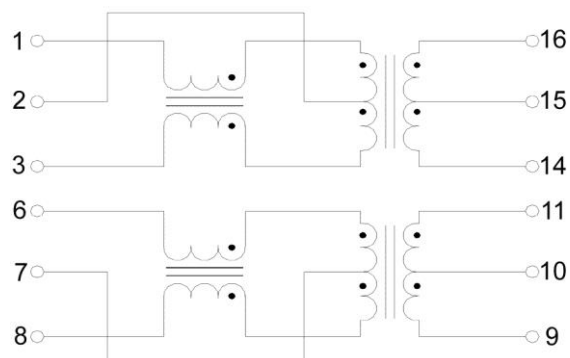
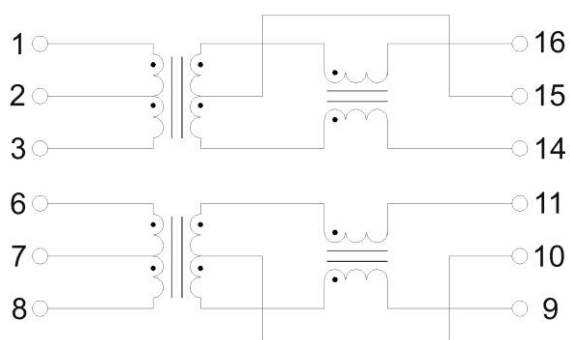
TYPE	a	b	c	d	e
BXRT00DIS016M13SCF	8.89	10.5	7.1	1.27	0.76
BXRT00DIS016M11SDV	8.89	10.7	6.9	1.27	0.76
BXRT00DIS016M11SDQ	8.89	10.5	7.1	1.27	0.76
BXRT00DIS016M11SDW	8.89	10.5	7.1	1.27	0.76
BXRT00DIS016M13SCH	8.89	10.5	7.1	1.27	0.76
BXRT00DIS016M13SCJ	8.89	10.5	7.1	1.27	0.76
BXRT00DIS016M13SCK	8.89	10.5	7.1	1.27	0.76

Schematics

BXRT00DIS016M13SCF、11SDV、11SDQ、11SDW

BXRT00DIS016M13SCJ、13SCK

BXRT00DIS016M13SCH



Ethernet Discrete Lan Transformer Single Port – BXRT Series

Electrical Characteristics

Part Number	Data Rate	Turns Ratio (±5%)		OCL (uH Min) @ 100KHz/0.1V with 8mA DC Bias	C _{www} (pF Max)	L.L (uH Max)	DCR (Ω Max)		HI-POT
	Base-T	TX	RX				1-3/6-8	16-14/11-9	
BXRT00DIS016M13SCF	10/100	1CT:1CT	1CT:1CT	350	28	0.5	1.1		AC1500V/1mA
BXRT00DIS016M11SDW	10/100	1CT:1CT	1CT:1CT	350	28	0.5	0.9	1.1	AC1500V/1mA
BXRT00DIS016M13SCH	10/100	1CT:1CT	1CT:1CT	350	28	0.5	1.1	0.9	AC1500V/1mA
BXRT00DIS016M13SCJ	10/100	1CT:1CT	1CT:1CT	350	28	0.5	1.1		AC1500V/1mA
BXRT00DIS016M13SCK	10/100	1CT:1CT	1CT:1CT	350	28	0.5	0.9	1.1	AC1500V/1mA

Part Number	Insertion Loss (dB Max)		Return Loss (dB Min)			Cross talk (dB Min)				DCMR (dB Min)			
	0.3	1-100	30	60	80	0.3	30	60	60-100	30	50	60	100
	MHz												
BXRT00DIS016M13SCF	-1.15		-18	-14	-12	-45			-33	-40	-	-35	-30
BXRT00DIS016M11SDW	-1.15		-18	-14	-12	-45			-35	-40	-	-35	-30
BXRT00DIS016M13SCH	-1.15		-18	-14	-12	-45			-33	-40	-	-35	-30
BXRT00DIS016M13SCJ	-	-1.2	-	-	-	-	-45	-40	-37	-43	-	-37	-33
BXRT00DIS016M13SCK	-1.15		-18	-14	-12	-45			-33	-40	-	-35	-30

- Operating temperature range - 40°C ~ 85°C
- Storage temperature range - 40°C ~ 85°C
- Electrical Specification @25°C, Humidity 65% RH

Part Number	Data Rate	Turns Ratio (±5%)		OCL (uH Min) @ 100KHz/0.1V with 8mA DC Bias	C _{www} (pF Max)	L.L (uH Max)	DCR (Ω Max)	HI-POT
	Base-T	TX	RX				Pin(1-3/6-8)	
BXRT00DIS016M11SDV	10/100	1CT:1CT	1CT:1CT	350	15	0.4	0.9	AC1500V/1mA
BXRT00DIS016M11SDQ	10/100	1CT:1CT	1CT:1CT	350	28	0.5	0.9	AC1500V/1mA

Part Number	Insertion Loss (dB Max)	Return Loss (dB Min)						Cross talk (dB Min)		DCMR (dB Min)		
	0.3-100	0.3	30	40	50	60	80	0.3-60	60-100	0.3-30	60	60-100
	MHz											
BXRT00DIS016M11SDV	-1.1	-18	-15.5	-13.5	-10		-33		-33		-26	
BXRT00DIS016M11SDQ	-1.15	-	-18	-	-	-14	-12	-45	-33	-40	-35	-30

- Operating temperature range 0°C ~ 70°C
- Storage temperature range - 25°C ~ 85°C
- Electrical Specification @25°C, Humidity 65% RH

Ethernet Discrete Lan Transformer Single Port – BXRT Series

Mechanical Dimension

24Pins

FIG1

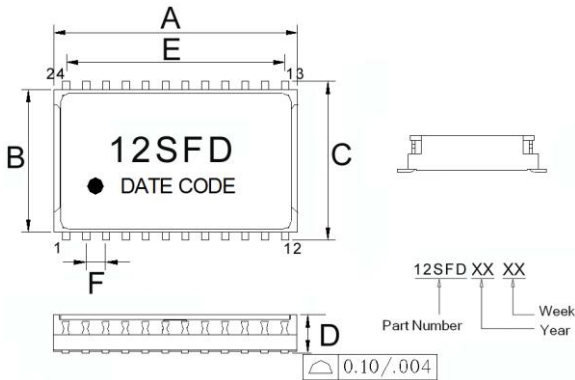


FIG2

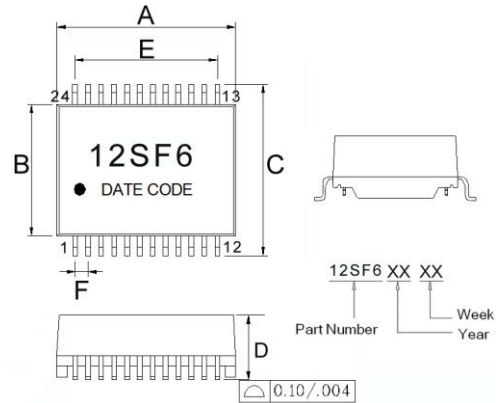
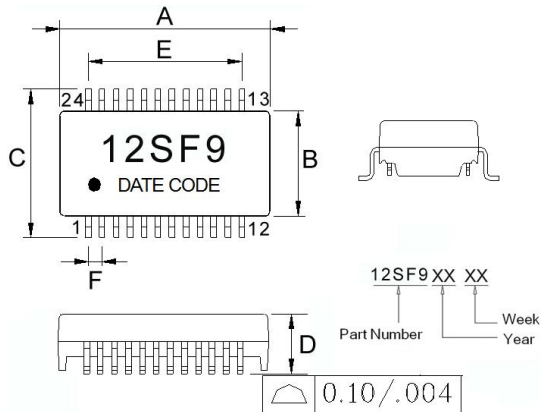


FIG3



Dimensions in mm

TYPE	FIG	A	B	C	D	E	F
BXRT00DIS024M12SFD	1	15.6±0.25	8.5±0.25	9.47±0.25	2.3±0.25	13.97±0.25	1.27±0.25
BXRT00DIS024M12SF2	3	15.1±0.25	7.1±0.25	10±0.25	4±0.25	11±0.25	1±0.25
BXRT00DIS024M12SF6	2	17.55±0.25	12.2±0.25	15.9±0.25	6±0.25	13.97±0.25	1.27±0.25
BXRT00DIS024M12SFC	1	15.6±0.25	8.5±0.25	9.47±0.25	2.3±0.25	13.97±0.25	1.27±0.25
BXRT00DIS024M12SF9	3	15.1±0.25	7.1±0.25	10±0.25	4±0.25	11±0.25	1±0.25
BXRT00DIS024M12SFA	3	15.1±0.25	7.1±0.25	10±0.25	4±0.25	11±0.25	1±0.25
BXRT00DIS024M12SFJ	3	15.1±0.25	7.1±0.25	10±0.25	4±0.25	11±0.25	1±0.25
BXRT00DIS024M12SFH	1	15.6±0.25	8.5±0.25	9.47±0.25	2.3±0.25	13.97±0.25	1.27±0.25
BXRT00DIS024M14SFA	2	17.55±0.25	12.2±0.25	15.9±0.25	6±0.25	13.97±0.25	1.27±0.25
BXRT00DIS024M14SFC	3	15.1±0.25	7.1±0.25	10±0.25	4±0.25	11±0.25	1±0.25
BXRT00DIS024M14SF2	2	17.55±0.25	12.2±0.25	15.9±0.25	6±0.25	13.97±0.25	1.27±0.25
BXRT00DIS024M14SF7	2	17.55±0.25	12.2±0.25	15.9±0.25	6±0.25	13.97±0.25	1.27±0.25
BXRT00DIS024M14SDA	3	15.1±0.25	7.1±0.25	10±0.25	4±0.25	11±0.25	1±0.25
BXRT00DIS024M14SDW	2	17.55±0.25	12.2±0.25	15.9±0.25	6±0.25	13.97±0.25	1.27±0.25
BXRT00DIS024M17SCF	2	17.55±0.25	12.2±0.25	15.9±0.25	6±0.25	13.97±0.25	1.27±0.25
BXRT00DIS024M17SCN	3	15.1±0.25	7.1±0.25	10±0.25	4±0.25	11±0.25	1±0.25
BXRT00DIS024M17SCM	2	17.55±0.25	12.2±0.25	15.9±0.25	6±0.25	13.97±0.25	1.27±0.25
BXRT00DIS024M17SCP	2	17.55±0.25	12.2±0.25	15.9±0.25	6±0.25	13.97±0.25	1.27±0.25

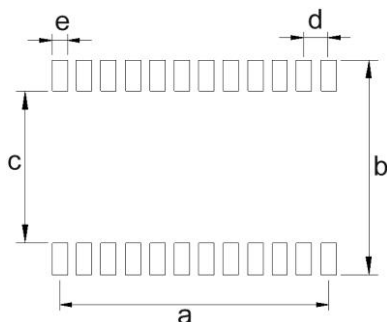
Ethernet Discrete Lan Transformer Single Port – BXRT Series

Dimensions in mm

TYPE	FIG	A	B	C	D	E	F
BXRT00DIS024M1ASCK	2	17.55±0.25	12.2±0.25	15.9±0.25	6±0.25	13.97±0.25	1.27±0.25
BXRT00DIS024M1ASCL	2	17.55±0.25	12.2±0.25	15.9±0.25	6±0.25	13.97±0.25	1.27±0.25
BXRT00DIS024M1CSC6	2	17.55±0.25	12.2±0.25	15.9±0.25	6±0.25	13.97±0.25	1.27±0.25
BXRT00DIS024M1DSCL	2	17.55±0.25	12.2±0.25	15.9±0.25	6±0.25	13.97±0.25	1.27±0.25
BXRT00DIS024M1DSCM	2	17.55±0.25	12.2±0.25	15.9±0.25	6±0.25	13.97±0.25	1.27±0.25
BXRT00DIS024M1DSCP	2	17.55±0.25	12.2±0.25	15.9±0.25	6±0.25	13.97±0.25	1.27±0.25
BXRT00DIS024M1DSCQ	2	17.55±0.25	12.2±0.25	15.9±0.25	6±0.25	13.97±0.25	1.27±0.25
BXRT00DIS024M1GSCA	2	17.55±0.25	12.2±0.25	15.9±0.25	6±0.25	13.97±0.25	1.27±0.25
BXRT00DIS024M1HSCA	2	17.55±0.25	12.2±0.25	15.9±0.25	6±0.25	13.97±0.25	1.27±0.25
BXRT00DIS024M1HSCG	2	17.55±0.25	12.2±0.25	15.9±0.25	6±0.25	13.97±0.25	1.27±0.25
BXRT00DIS024M1HSCP	2	17.55±0.25	12.2±0.25	15.9±0.25	6±0.25	13.97±0.25	1.27±0.25

Ethernet Discrete Lan Transformer Single Port – BXRT Series

Suggested Land Pattern



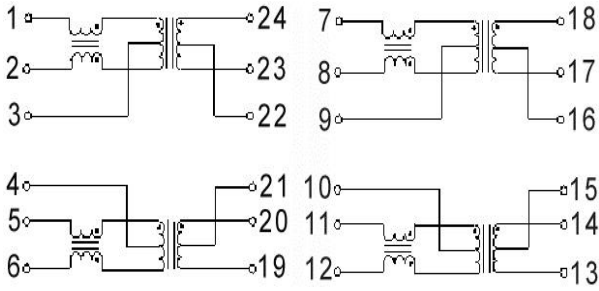
Dimensions in mm

TYPE	a	b	c	d	e
BXRT00DIS024M12SFD	13.97	10.5	7.4	1.27	0.8
BXRT00DIS024M12SF2	11	10.7	8	1	0.6
BXRT00DIS024M12SF6	13.97	17	11.92	1.27	0.76
BXRT00DIS024M12SFC	13.97	10.5	7.4	1.27	0.8
BXRT00DIS024M12SF9	11	10.7	8	1	0.6
BXRT00DIS024M12SFA	11	10.7	8	1	0.6
BXRT00DIS024M12SFJ	11	10.7	8	1	0.6
BXRT00DIS024M12SFH	13.97	10.5	7.4	1.27	0.8
BXRT00DIS024M14SFA	13.97	17	11.92	1.27	0.76
BXRT00DIS024M14SFC	11	10.7	8	1	0.6
BXRT00DIS024M14SF2	13.97	17	11.92	1.27	0.76
BXRT00DIS024M14SF7	13.97	17	11.92	1.27	0.76
BXRT00DIS024M14SDA	11	10.7	8	1	0.6
BXRT00DIS024M14SDW	13.97	17	11.92	1.27	0.76
BXRT00DIS024M17SCF	13.97	17	11.92	1.27	0.76
BXRT00DIS024M17SCN	11	10.7	8	1	0.6
BXRT00DIS024M17SCM	13.97	17	11.92	1.27	0.76
BXRT00DIS024M17SCP	13.97	17	11.92	1.27	0.76
BXRT00DIS024M1ASCK	13.97	17	11.92	1.27	0.76
BXRT00DIS024M1CSC6	13.97	17	11.92	1.27	0.76
BXRT00DIS024M1DSCL	13.97	17	11.92	1.27	0.76
BXRT00DIS024M1DSCM	13.97	17	11.92	1.27	0.76
BXRT00DIS024M1DSCP	13.97	17	11.92	1.27	0.76
BXRT00DIS024M1DSCQ	13.97	17	11.92	1.27	0.76
BXRT00DIS024M1GSCA	13.97	17	11.92	1.27	0.76
BXRT00DIS024M1HSCA	13.97	17	11.92	1.27	0.76
BXRT00DIS024M1HSCG	13.97	17	11.92	1.27	0.76
BXRT00DIS024M1HSCP	13.97	17	11.92	1.27	0.76
BXRT00DIS024M1ASCL	13.97	17	11.92	1.27	0.76

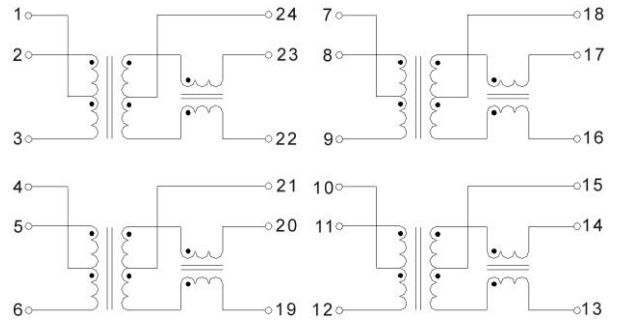
Ethernet Discrete Lan Transformer Single Port – BXRT Series

Schematics

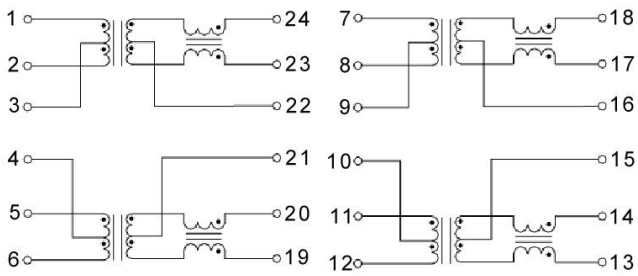
BXRT00DIS024M12SFD、12SFH



**BXRT00DIS024M12SF2、12SF6、12SFJ、14SC7、14SFC、
BXRT00DIS024M17SCM、1ASCK、1DSCL、1HSCA**



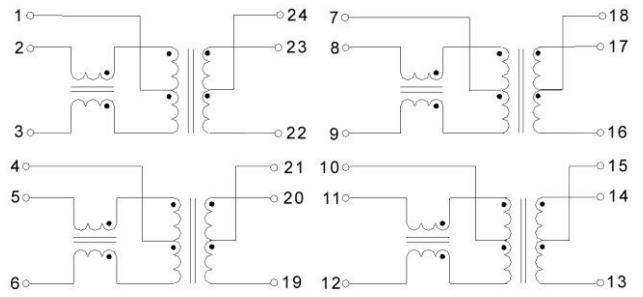
BXRT00DIS024M12SFC



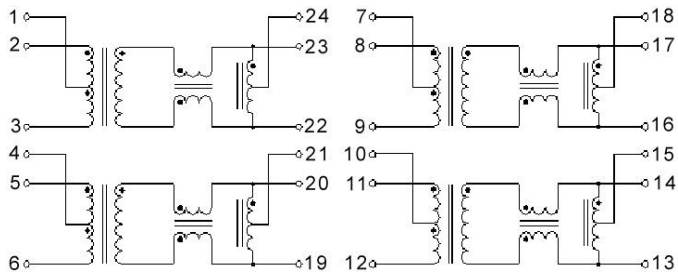
BXRT00DIS024M12SF9、12SFA、14SFA、14SDA、14SDW、17SCN

BXRT00DIS024M17SCP、1CSC6、1DSCM、1DSCP、1DSCQ

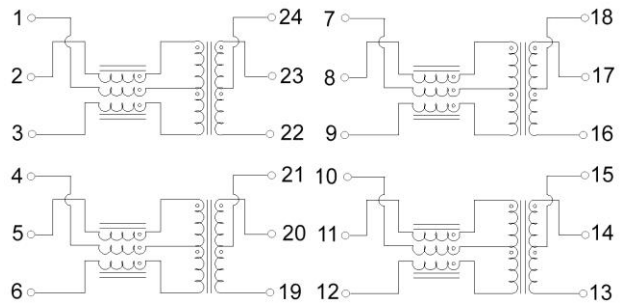
BXRT00DIS024M1GSCA、1HSCG、1HSCP、1ASCL



BXRT00DIS024M14SF2



BXRT00DIS024M17SCF



Ethernet Discrete Lan Transformer Single Port – BXRT Series

Electrical Characteristics

Part Number	Data Rate	Turns Ratio (±5%)		OCL (uH Min) @ 100KHz/0.1V	C _{w/w} (pF Max)	L.L (uH Max)	DCR (Ω Max)	HI-POT
	Base-T	TX	RX					
BXRT00DIS024M12SFD	1000	1CT:1CT	1CT:1CT	350	15	0.4	1.0	AC1500V/1mA
BXRT00DIS024M12SFA	1000	1CT:1CT	1CT:1CT	350	28	0.5	1.2	AC1500V/1mA
BXRT00DIS024M14SFA	1000	1CT:1CT	1CT:1CT	350	28	0.5	1.2	AC1500V/1mA
BXRT00DIS024M14SFC	1000	1CT:1CT	1CT:1CT	350	28	0.5	1.2	AC1500V/1mA
BXRT00DIS024M14SF2	1000	1CT:1CT	1CT:1CT	350	28	0.5	1.2	AC1500V/1mA
BXRT00DIS024M14SDA	1000	1CT:1CT	1CT:1CT	350	-	-	-	AC1500V/1mA
BXRT00DIS024M14SDW	1000	1CT:1CT	1CT:1CT	350	40	0.5	1.4	AC1500V/1mA

Part Number	Insertion Loss (dB Max)	Return Loss (dB Min)					Cross talk (dB Min)				DCMR (dB Min)				
	1-100	1-30	40	50	60-80	100	1	30	60	100	1	30	60	60-100	100
	MHz														
BXRT00DIS024M12SFD	-1.0	-18	-16	-14.08	-12.5	-10	-33				-35			-33	-
BXRT00DIS024M12SFA	-1.0	-18	-16	-14.08	-12.5	-10	-33				-	-40	-35	-	-30
BXRT00DIS024M14SFA	-1.0	-18	-16	-14.08	-12.5	-10	-	-45	-38	-33	-	-43	-37	-	-33
BXRT00DIS024M14SFC	-1.0	-18	-16	-14.08	-12.5	-10	-33				-	-40	-35	-	-30
BXRT00DIS024M14SF2	-1.0	-18	-16	-14.08	-12.5	-10	-45	-38	-33	-	-43	-37	-	-33	
BXRT00DIS024M14SDA	-1.0	-18	-14	-13	-12	-10	-42	-35	-32	-	-43	-37	-	-33	
BXRT00DIS024M14SDW	-1.5	-16		-10+20Log(F/80)			-30				-	-	-	-	-

- Operating temperature range - 40°C ~ 85°C
- Storage temperature range - 40°C ~ 85°C
- Electrical Specification @25°C, Humidity 65% RH

Ethernet Discrete Lan Transformer Single Port – BXRT Series

Electrical Characteristics

Part Number	Data Rate	Turns Ratio (±5%)		OCL (uH Min) @ 100KHz/0.1V	C _{ww} (pF Max)	L.L (uH Max)	DCR (Ω Max)	HI-POT
	Base-T	TX	RX					
BXRT00DIS024M12SF2	1000	1CT:1CT	1CT:1CT	350	28	0.5	1.2	AC1500V/1mA
BXRT00DIS024M12SF6	1000	1CT:1CT	1CT:1CT	350	28	0.5	1.2	AC1500V/1mA
BXRT00DIS024M12SFC	1000	1CT:1CT	1CT:1CT	350	25	0.4	1.0	AC1500V/1mA
BXRT00DIS024M12SF9	1000	1CT:1CT	1CT:1CT	350	28	0.5	1.2	AC1500V/1mA
BXRT00DIS024M14SF7	1000	1CT:1CT	1CT:1CT	350	28	0.5	1.2	AC1500V/1mA
BXRT00DIS024M12SFJ	1000	1CT:1CT	1CT:1CT	350	28	0.5	1.2	AC1500V/1mA
BXRT00DIS024M12SFH	1000	1CT:1CT	1CT:1CT	350	25	0.4	1.0	AC1500V/1mA

Part Number	Insertion Loss (dB Max)	Return Loss (dB Min)						Cross talk (dB Min)				DCMR (dB Min)			
	1-100	1-30	40	50	60	80	100	1	30	60	100	1-30	30	60	100
	MHz														
BXRT00DIS024M12SF2	-1.0	-18	-16	-14.08	-12.5	-10	-33	-	-40	-35	-30	-	-40	-35	-30
BXRT00DIS024M12SF6	-1.0	-16	-14.09	-12.5	-10	-8.07	-	-45	-38	-33	-	-43	-37	-33	-
BXRT00DIS024M12SFC	-1.0	-18	-16	-14.08	-12.5	-10	-33	-35	-	-33	-	-35	-	-33	-
BXRT00DIS024M12SF9	-1.0	-18	-16	-14.08	-12.5	-10	-33	-	-40	-35	-30	-	-40	-35	-30
BXRT00DIS024M14SF7	-1.0	-18	-16	-14.08	-12.5	-10	-	-45	-38	-33	-	-43	-37	-33	-
BXRT00DIS024M12SFJ	-1.0	-18	-16	-14.08	-12.5	-10	-33	-	-40	-35	-30	-	-40	-35	-30
BXRT00DIS024M12SFH	-1.0	-18	-16	-14.08	-12.5	-10	-33	-35	-	-33	-	-35	-	-33	-

- Operating temperature range 0°C ~ 70°C
- Storage temperature range - 25°C ~ 85°C
- Electrical Specification @25°C, Humidity 65% RH

Ethernet Discrete Lan Transformer Single Port – BXRT Series

Electrical Characteristics

Part Number	Data Rate	Turns Ratio (±5%)		OCL (uH Min) @ 100KHz/0.1V	C _{w/w} (pF Max)	L.L (uH Max)	DCR (Ω Max)	HI-POT
	Base-T	TX	RX					
BXRT00DIS024M17SCF	2.5G	1CT:1CT	1CT:1CT	180	-	-	-	AC1500V/1mA
BXRT00DIS024M17SCN	2.5G	1CT:1CT	1CT:1CT	180	28	0.5	0.9	AC1500V/1mA
BXRT00DIS024M17SCM	2.5G	1CT:1CT	1CT:1CT	180	28	0.5	0.9	AC1500V/1mA
BXRT00DIS024M17SCP	2.5G	1CT:1CT	1CT:1CT	180	28	0.5	0.9	AC1500V/1mA
BXRT00DIS024M1ASCK	2.5G	1CT:1CT	1CT:1CT	180	28	0.5	0.9	AC1500V/1mA
BXRT00DIS024M1CSC6	2.5G/5G	1CT:1CT	1CT:1CT	180	28	0.5	1.0	AC1500V/1mA
BXRT00DIS024M1DSCL	2.5G	1CT:1CT	1CT:1CT	180	28	0.5	0.9	AC1500V/1mA
BXRT00DIS024M1DSCM	2.5G/5G	1CT:1CT	1CT:1CT	180	28	0.5	1.0	AC1500V/1mA
BXRT00DIS024M1ASCL	2.5G	1CT:1CT	1CT:1CT	180	28	0.5	0.9	AC1500V/1mA
BXRT00DIS024M1DSCP	2.5G/5G	1CT:1CT	1CT:1CT	180	28	0.5	0.9	AC1500V/1mA
BXRT00DIS024M1DSCQ	2.5G/5G	1CT:1CT	1CT:1CT	180	28	0.5	1.0	AC1500V/1mA
BXRT00DIS024M1GSCA	10G	1CT:1CT	1CT:1CT	100	28	0.5	1.0	AC1500V/1mA
BXRT00DIS024M1HSCA	10G	1CT:1CT	1CT:1CT	120	28	0.5	1.0	AC1500V/1mA
BXRT00DIS024M1HSCG	10G	1CT:1CT	1CT:1CT	120	28	0.5	1.0	AC1500V/1mA
BXRT00DIS024M1HSCP	10G	1CT:1CT	1CT:1CT	120	28	0.5	1.0	AC1500V/1mA

Part Number	Insertion Loss (dB Max)							Return Loss (dB Min)					
	1	50	100	125	250	400	500	1	40	125	250	400	500
	MHz												
BXRT00DIS024M17SCF	-0.5	-1.0	-1.5	-	-	-	-20	-20+12.5*log ₁₀ (f/40)	-	-	-	-	-
BXRT00DIS024M17SCN	-0.5	-1.0	-	-	-	-	-20	-(20-10 log ₁₀ (f/40))	-	-	-	-	-
BXRT00DIS024M17SCM	-0.5	-1.0	-	-	-	-	-16	-(16-10 log ₁₀ (f/40))	-	-	-	-	-
BXRT00DIS024M17SCP	-1.0	-1.5	-	-	-	-	-16	-(16-10 log ₁₀ (f/40))	-	-	-	-	-
BXRT00DIS024M1ASCK	-0.5	-1.0	-	-	-	-	-16	-(16-10 log ₁₀ (f/40))	-	-	-	-	-
BXRT00DIS024M1CSC6	-1.0	-2.0	-	-	-	-	-16	-(16-10 log ₁₀ (f/40))	-	-	-	-	-
BXRT00DIS024M1DSCL	-1.0	-2.0	-	-	-	-	-16	-(16-10 log ₁₀ (f/40))	-	-	-	-	-
BXRT00DIS024M1DSCM	-1.0	-2.0	-	-	-	-	-16	-(16-10 log ₁₀ (f/40))	-	-	-	-	-
BXRT00DIS024M1ASCL	-1.0	-1.5	-	-	-	-	-16	-(16-10 log ₁₀ (f/40))	-	-	-	-	-
BXRT00DIS024M1DSCP	-1.0	-2.0	-	-	-	-	-16	-(16-10 log ₁₀ (f/40))	-	-	-	-	-
BXRT00DIS024M1DSCQ	-1.0	-2.0	-	-	-	-	-16	-(16-10 log ₁₀ (f/40))	-	-	-	-	-
BXRT00DIS024M1GSCA	-1.0	-1.5	-2.0	-	-	-18	-18	-(18-10 log ₁₀ (f/40))	-	-	-	-(8-30 log ₁₀ (f/400))	-
BXRT00DIS024M1HSCA	-1.0	-1.5	-2.0	-	-	-18	-18	-(18-10 log ₁₀ (f/40))	-	-	-	-(8-30 log ₁₀ (f/400))	-
BXRT00DIS024M1HSCG	-1.0	-1.5	-2.0	-	-	-18	-18	-(18-10 log ₁₀ (f/40))	-	-	-	-(8-30 log ₁₀ (f/400))	-
BXRT00DIS024M1HSCP	-1.0	-1.5	-2.0	-	-	-18	-18	-(18-10 log ₁₀ (f/40))	-	-	-	-(8-30 log ₁₀ (f/400))	-

Please be sure to request approval specifications that provide further details of the products. Kindly note that the content of these specifications are subject to change or may be discontinued without prior notice. This product may not be designed/used in medical or high risk applications without Chilisin approval. Please contact our sales department before ordering.

Ethernet Discrete Lan Transformer Single Port – BXRT Series

Electrical Characteristics

Part Number	Cross talk (dB Min)						DCMR (dB Min)														
	1-100MHz						100	125	150	200	250	500	1	30	125	200	250	500			
BXRT00DIS024M17SCF	-30								-20	-	-			-45+f/35							
BXRT00DIS024M17SCN	$20 \log_{10} \left[10^{\frac{35.3 - 15 \log_{10}(f/100)}{-20}} + 2 \times 10^{\frac{43 - 20 \log_{10}(f/100)}{-20}} \right]$						-30		-	-	-48		-(44-19.2 log ₁₀ (f/50))			-	-	-			
BXRT00DIS024M17SCM							-30		-	-	-48		-(44-19.2 log ₁₀ (f/50))			-	-	-			
BXRT00DIS024M17SCP							-30		-	-	-48		-(44-19.2 log ₁₀ (f/50))			-	-	-			
BXRT00DIS024M1ASCK							-30		-	-	-48		-(44-19.2 log ₁₀ (f/50))			-	-	-			
BXRT00DIS024M1CSC6							-30			-	-48		-(44-19.2 log ₁₀ (f/50))				-				
BXRT00DIS024M1DSC1							-30			-	-48		-(44-19.2 log ₁₀ (f/50))				-				
BXRT00DIS024M1DSCM							-30			-	-48		-(44-19.2 log ₁₀ (f/50))				-				
BXRT00DIS024M1ASCL							-30		-	-	-48		-(44-19.2 log ₁₀ (f/50))			-	-	-			
BXRT00DIS024M1DSCP							-30			-	-48		-(44-19.2 log ₁₀ (f/50))				-				
BXRT00DIS024M1DSCQ							-30			-	-48		-(44-19.2 log ₁₀ (f/50))				-				
BXRT00DIS024M1GSCA							-40						-30			-30			-22		
BXRT00DIS024M1HSCA							-40						-30			-30			-22		
BXRT00DIS024M1HSCG	-40						-30			-30			-22								
BXRT00DIS024M1HSCP	-40						-30			-30			-22								

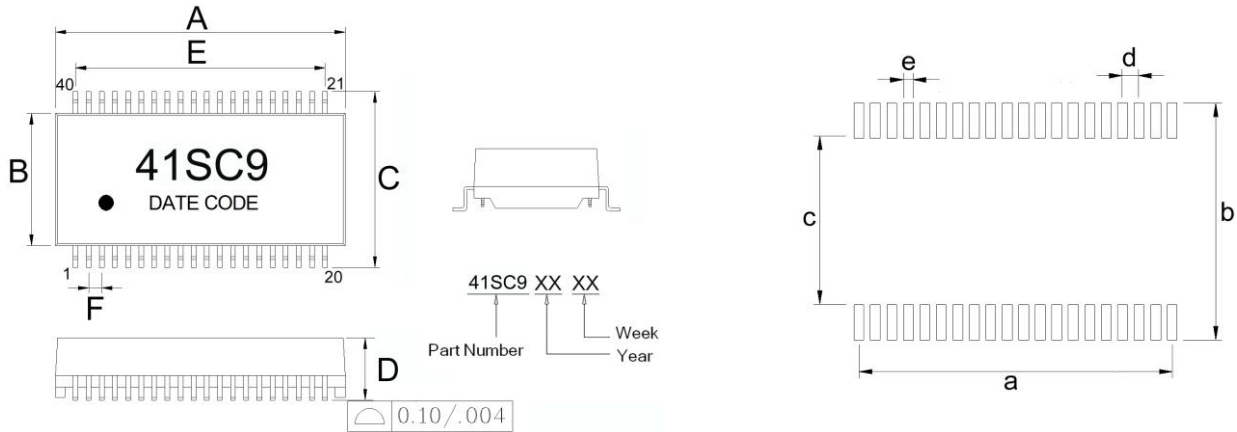
- Operating temperature range - 40°C ~ 85°C
- Storage temperature range - 40°C ~ 85°C
- Electrical Specification @25°C, Humidity 65% RH

Ethernet Discrete Lan Transformer Single Port – BXRT Series

Mechanical Dimension

Suggested Land Pattern

40Pins

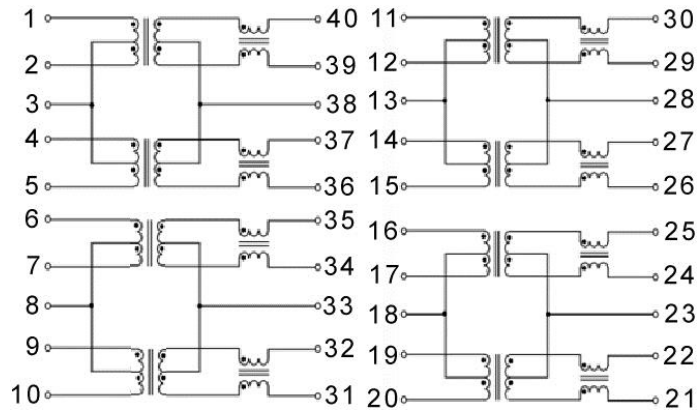


Dimensions in mm

TYPE	A	B	C	D	E	F	a	b	c	d	e
BXRT00DIS040M41SC9	28±0.25	12.1±0.25	16.1±0.25	5.7±0.25	24.13±0.25	1.27	24.13	17	11.92	1.27	0.76
BXRT00DIS040M41SCA	28±0.25	12.1±0.25	16.1±0.25	5.7±0.25	24.13±0.25	1.27	24.13	17	11.92	1.27	0.76

Schematics

BXRT00DIS040M41SC9、41SCA



Ethernet Discrete Lan Transformer Quad Port – BXRT Series

Electrical Characteristics

Part Number	Data Rate	Turns Ratio (±5%)		OCL (uH Min) @ 100KHz/0.1V with 8mA DC Bias	C _{www} (pF Max)	L.L (uH Max)	DCR (Ω Max)	HI-POT
	Base-T	TX	RX					
BXRT00DIS040M41SCA	10/100	1CT:1CT	1CT:1CT	350	56	0.4	1.2	AC1500V/1mA

Part Number	Insertion Loss (dB Max)	Return Loss (dB Min)				Cross talk (dB Min)		DCMR (dB Min)		
	0.3-100	0.3-30	30-60	60-80	0.3-60	60-100	60	100	200	
	MHz									
BXRT00DIS040M41SCA	-1.15	-16	-12	-10	-40	-33	-37	-28	-25	

- Operating temperature range - 40°C ~ 85°C
- Storage temperature range - 40°C ~ 85°C
- Electrical Specification @25°C, Humidity 65% RH

Part Number	Data Rate	Turns Ratio (±5%)		OCL (uH Min) @ 100KHz/0.1V with 8mA DC Bias	C _{www} (pF Max)	L.L (uH Max)	DCR (Ω Max)	HI-POT
	Base-T	TX	RX					
BXRT00DIS040M41SC9	10/100	1CT:1CT	1CT:1CT	350	56	0.4	1.2	AC1500V/1mA

Part Number	Insertion Loss (dB Max)	Return Loss (dB Min)				Cross talk (dB Min)		DCMR (dB Min)		
	0.3-100	0.3-30	30-60	60-80	0.3-60	60-100	60	100	200	
	MHz									
BXRT00DIS040M41SC9	-1.15	-16	-12	-10	-40	-33	-37	-28	-25	

- Operating temperature range 0°C ~ 70°C
- Storage temperature range - 25°C ~ 85°C
- Electrical Specification @25°C, Humidity 65% RH

Ethernet Discrete Lan Transformer Single Port – BXRT Series

Mechanical Dimension

Suggested Land Pattern

48Pins

FIG1

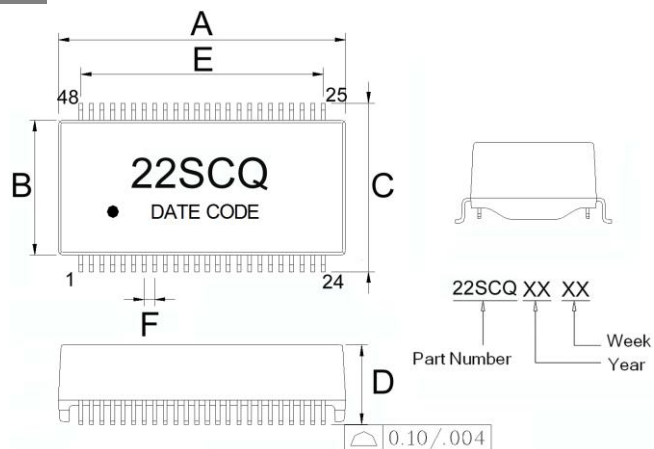
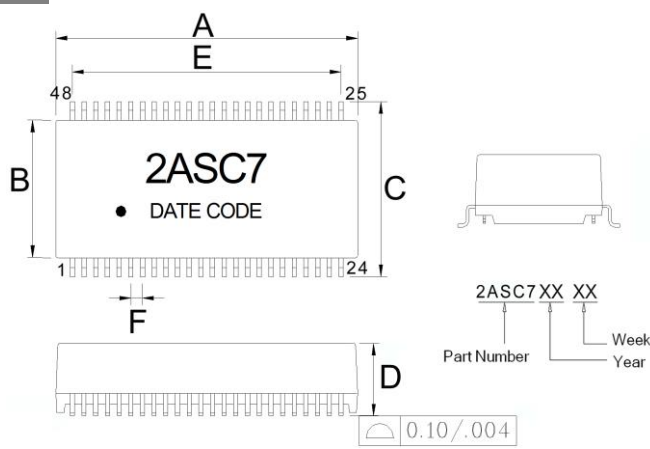


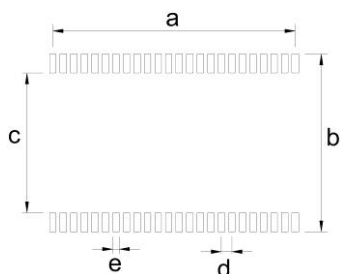
FIG2



Dimensions in mm

TYPE	FIG	A	B	C	D	E	F
BXRT00DIS048M22SCQ	1	27.8±0.25	12.2±0.25	15.2±0.25	7.2±0.25	23.46±0.25	1.02±0.25
BXRT00DIS048M24SCC	2	32.8±0.25	13.8±0.25	17.6±0.25	7.3±0.25	29.21±0.25	1.27±0.25
BXRT00DIS048M24SCD	1	27.8±0.25	12.2±0.25	15.2±0.25	7.2±0.25	23.46±0.25	1.02±0.25
BXRT00DIS048M24SCJ	1	27.8±0.25	12.2±0.25	15.2±0.25	7.2±0.25	23.46±0.25	1.02±0.25
BXRT00DIS048M24SCK	1	27.8±0.25	12.2±0.25	15.2±0.25	7.2±0.25	23.46±0.25	1.02±0.25
BXRT00DIS048M24SCL	1	27.8±0.25	12.2±0.25	15.2±0.25	7.2±0.25	23.46±0.25	1.02±0.25
BXRT00DIS048M27SC7	1	27.8±0.25	12.2±0.25	15.2±0.25	7.2±0.25	23.46±0.25	1.02±0.25
BXRT00DIS048M2ASC5	1	27.8±0.25	12.2±0.25	15.2±0.25	7.2±0.25	23.46±0.25	1.02±0.25
BXRT00DIS048M2ASC7	2	32.8±0.25	13.8±0.25	17.6±0.25	7.3±0.25	29.21±0.25	1.27±0.25
BXRT00DIS048M2DSC9	1	27.8±0.25	12.2±0.25	15.2±0.25	7.2±0.25	23.46±0.25	1.02±0.25
BXRT00DIS048M2DSC6	2	32.8±0.25	13.8±0.25	17.6±0.25	7.3±0.25	29.21±0.25	1.27±0.25
BXRT00DIS048M2GSC2	2	32.8±0.25	13.8±0.25	17.6±0.25	7.3±0.25	29.21±0.25	1.27±0.25
BXRT00DIS048M2GSC3	2	32.8±0.25	13.8±0.25	17.6±0.25	7.3±0.25	29.21±0.25	1.27±0.25

Suggested Land Pattern



Dimensions in mm

TYPE	a	b	c	d	e
BXRT00DIS048M22SCQ	23.46	15.9	12.5	1.02	0.64
BXRT00DIS048M24SCC	29.21	18.5	13.42	1.27	0.76
BXRT00DIS048M24SCD	23.46	15.9	12.5	1.02	0.64
BXRT00DIS048M24SCJ	23.46	15.9	12.5	1.02	0.64

Ethernet Discrete Lan Transformer Single Port – BXRT Series

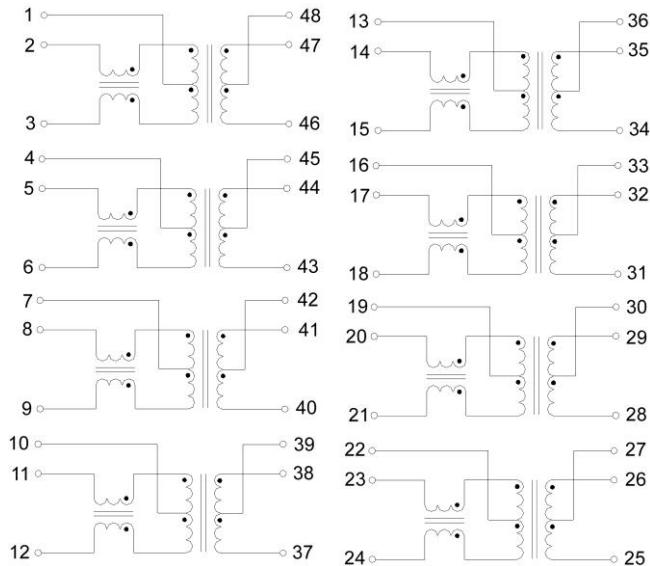
Dimensions in mm

TYPE	a	b	c	d	e
BXRT00DIS048M24SCK	23.46	15.9	12.5	1.02	0.64
BXRT00DIS048M24SCL	23.46	15.9	12.5	1.02	0.64
BXRT00DIS048M27SC7	23.46	15.9	12.5	1.02	0.64
BXRT00DIS048M2ASC5	23.46	15.9	12.5	1.02	0.64
BXRT00DIS048M2ASC7	29.21	18.5	13.42	1.27	0.76
BXRT00DIS048M2DSC9	23.46	15.9	12.5	1.02	0.64
BXRT00DIS048M2DSC6	29.21	18.5	13.42	1.27	0.76
BXRT00DIS048M2GSC2	29.21	18.5	13.42	1.27	0.76
BXRT00DIS048M2GSC3	29.21	18.5	13.42	1.27	0.76

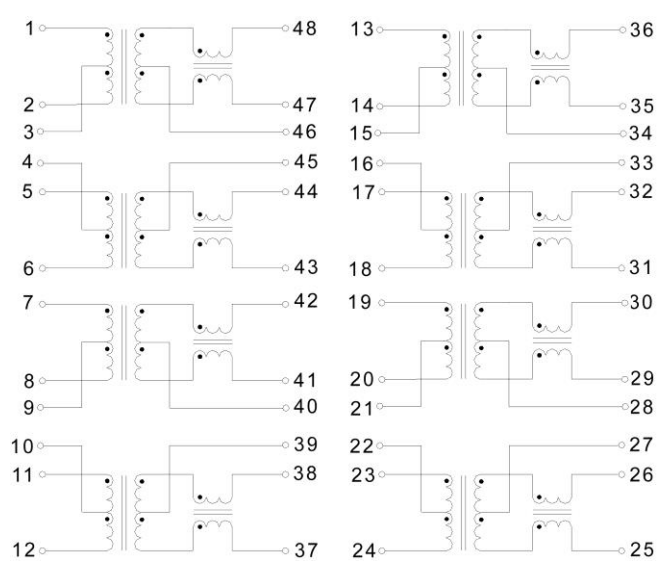
Schematics

BXRT00DIS048M22SCQ、24SCK、27SC7、2ASC5

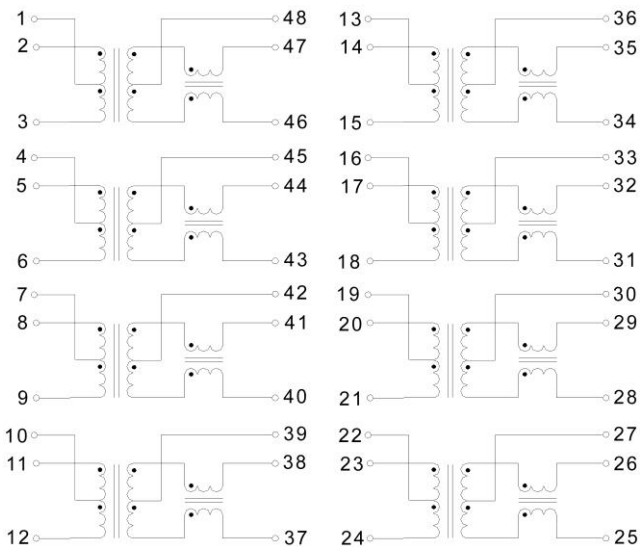
BXRT00DIS048M2ASC7、2DSC9、2DSC6、2GSC3



BXRT00DIS048M24SCC



BXRT00DIS048M24SCD、24SCJ、24SCL、2GSC2



Ethernet Discrete Lan Transformer Dual Port – BXRT Series

Electrical Characteristics

Part Number	Data Rate	Turns Ratio (±5%)		OCL (uH Min) @ 100KHz/0.1V	C _{www} (pF Max)	L.L (uH Max)	DCR (Ω Max)	HI-POT
	Base-T	TX	RX					
BXRT00DIS048M22SCQ	1000	1CT:1CT	1CT:1CT	350	28	0.5	1.1	AC1500V/1mA
BXRT00DIS048M24SCC	1000	1CT:1CT	1CT:1CT	350	28	0.5	1.2	AC1500V/1mA
BXRT00DIS048M24SCD	1000	1CT:1CT	1CT:1CT	350	28	0.5	1.1	AC1500V/1mA
BXRT00DIS048M24SCJ	1000	1CT:1CT	1CT:1CT	350	28	0.5	1.1	AC1500V/1mA

Part Number	Insertion Loss (dB Max)	Return Loss (dB Min)						Cross talk (dB Min)			DCMR (dB Min)		
		1-100	1-30	40	50	60	80	100	30	60	100	30	60
	MHz												
BXRT00DIS048M22SCQ	-1.0	-18	-16	-14.08	-12.5	-10	-40	-35	-30	-43	-37	-33	
BXRT00DIS048M24SCC	-1.0	-16	-14.09	-12.5	-10	-8.07	-40	-35	-30	-43	-37	-33	
BXRT00DIS048M24SCD	-1.0	-18	-16	-14.08	-12.5	-10	-40	-35	-30	-43	-37	-33	
BXRT00DIS048M24SCJ	-1.0	-18	-16	-14.08	-12.5	-10	-40	-35	-30	-43	-37	-33	

- Operating temperature range - 40°C ~ 85°C
- Storage temperature range - 40°C ~ 85°C
- Electrical Specification @25°C, Humidity 65% RH

Part Number	Data Rate	Turns Ratio (±5%)		OCL (uH Min) @ 100KHz/0.1V	C _{www} (pF Max)	L.L (uH Max)	DCR (Ω Max)	HI-POT
	Base-T	TX	RX					
BXRT00DIS048M24SCK	1000	1CT:1CT	1CT:1CT	350	28	0.5	1.1	AC1500V/1mA
BXRT00DIS048M24SCL	1000	1CT:1CT	1CT:1CT	350	28	0.5	1.2	AC1500V/1mA

Part Number	Insertion Loss (dB Max)	Return Loss (dB Min)						Cross talk (dB Min)			DCMR (dB Min)		
		1-100	1-30	40	50	60-80	100	30	60	100	30	60	100
	MHz												
BXRT00DIS048M24SCK	-1.0	-18	-16	-14.08	-12.5	-10	-40	-35	-30	-43	-37	-33	
BXRT00DIS048M24SCL	-1.0	-18	-16	-14.08	-12.5	-10	-40	-35	-30	-43	-37	-33	

- Operating temperature range - 0°C ~ 70°C
- Storage temperature range - 25°C ~ 85°C
- Electrical Specification @25°C, Humidity 65% RH

Ethernet Discrete Lan Transformer Dual Port – BXRT Series

Electrical Characteristics

Part Number	Data Rate	Turns Ratio (±5%)		OCL (uH Min) @ 100KHz/0.1V	C _{w/w} (pF Max)	L.L (uH Max)	DCR (Ω Max)	HI-POT
	Base-T	TX	RX					
BXRT00DIS048M27SC7	2.5G	1CT:1CT	1CT:1CT	180	28	0.5	0.9	AC1500V/1mA
BXRT00DIS048M2ASC5	2.5G	1CT:1CT	1CT:1CT	180	28	0.5	1.1	AC1500V/1mA
BXRT00DIS048M2ASC7	2.5G	1CT:1CT	1CT:1CT	180	28	0.5	1.0	AC1500V/1mA
BXRT00DIS048M2DSC9	2.5G	1CT:1CT	1CT:1CT	180	28	0.5	0.9	AC1500V/1mA
BXRT00DIS048M2DSC6	5G	1CT:1CT	1CT:1CT	180	28	0.5	1.0	AC1500V/1mA
BXRT00DIS048M2GSC2	10G	1CT:1CT	1CT:1CT	100	28	0.5	1.0	AC1500V/1mA
BXRT00DIS048M2GSC3	10G	1CT:1CT	1CT:1CT	100	28	0.5	1.0	AC1500V/1mA

Part Number	Insertion Loss (dB Max)							Return Loss (dB Min)					
	1	50	100	125	250	400	500	1	40	125	250	400	500
	MHz												
BXRT00DIS048M27SC7	-1.0		-1.5	-	-	-	-	-16	-(16-10 log ₁₀ (f/40))	-	-	-	-
BXRT00DIS048M2ASC5	-0.5		-1	-	-	-	-	-16	-(16-10 log ₁₀ (f/40))	-	-	-	-
BXRT00DIS048M2ASC7	-1.0		-1.5	-	-	-	-	-16	-(16-10 log ₁₀ (f/40))	-	-	-	-
BXRT00DIS048M2DSC9	-1.0		-2.0	-	-	-	-	-16	-(16-10 log ₁₀ (f/40))	-	-	-	-
BXRT00DIS048M2DSC6	-1.0		-2.0	-	-	-	-	-16	-(16-10 log ₁₀ (f/40))	-	-	-	-
BXRT00DIS048M2GSC2	-1.0		-1.5	-	-	-2.0	-	-18	-(18-10 log ₁₀ (f/40))	-	-	-(8-30 log ₁₀ (f/400))	-
BXRT00DIS048M2GSC3	-1.0		-1.5	-	-	-2.0	-	-18	-(18-10 log ₁₀ (f/40))	-	-	-(8-30 log ₁₀ (f/400))	-

Part Number	Cross talk (dB Min)					DCMR (dB Min)								
	1-100MHz					100	125	250	500	1	30	125	250	500
BXRT00DIS048M27SC7	$20 \log_{10} \left[10^{\frac{35.3 - 15 \log_{10}(f/100)}{-20}} + 2 \times 10^{\frac{43 - 20 \log_{10}(f/100)}{-20}} \right]$					-30	-	-	-	-48	-(44-19.2 log ₁₀ (f/50))	-	-	-
BXRT00DIS048M2ASC5						-30	-	-	-	-48	-(44-19.2 log ₁₀ (f/50))	-	-	-
BXRT00DIS048M2ASC7						-30	-	-	-	-48	-(44-19.2 log ₁₀ (f/50))	-	-	-
BXRT00DIS048M2DSC9						-30	-	-	-	-48	-(44-19.2 log ₁₀ (f/50))	-	-	-
BXRT00DIS048M2DSC6						-30	-	-	-	-48	-(44-19.2 log ₁₀ (f/50))	-	-	-
BXRT00DIS048M2GSC2						-40					-30		-30	
BXRT00DIS048M2GSC3	-40					-30		-30			-22			

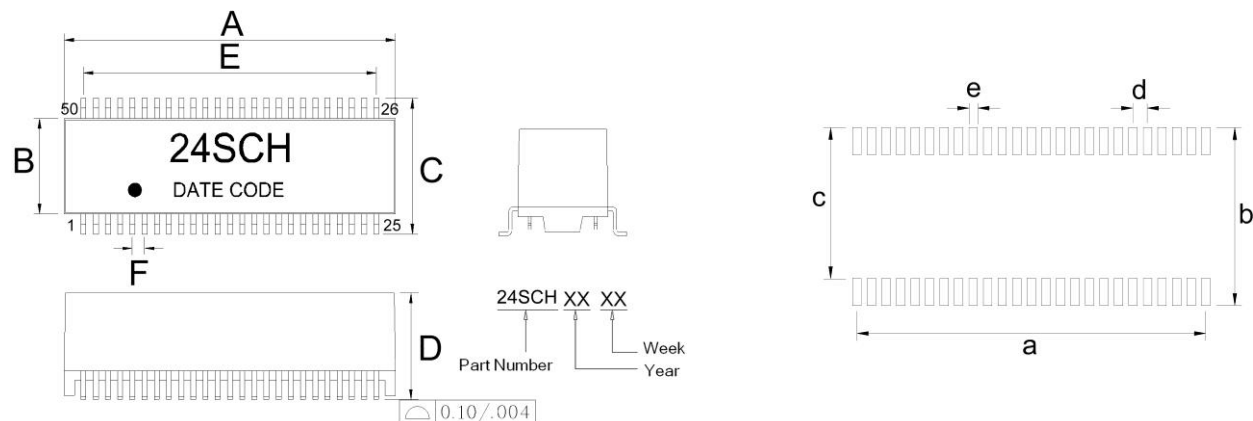
- Operating temperature range -40°C ~ 85°C
- Storage temperature range - 40°C ~ 85°C
- Electrical Specification @25°C, Humidity 65% RH

Ethernet Discrete Lan Transformer Single Port – BXRT Series

Mechanical Dimension

Suggested Footprint

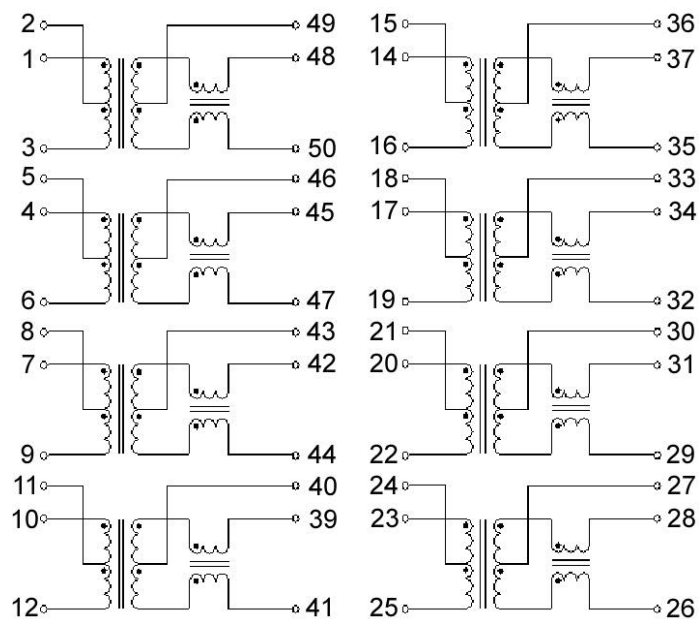
50Pins



Dimensions in mm

TYPE	A	B	C	D	E	F	a	b	c	d	e
BXRT00DIS050M24SCH	27.7±0.25	7.5±0.25	10.7±0.25	8.4±0.25	24.48±0.25	1.02	24.48	11.7	8.1	1.02	0.6
BXRT00DIS050M22SCL	27.7±0.25	7.5±0.25	10.7±0.25	8.4±0.25	24.48±0.25	1.02	24.48	11.7	8.1	1.02	0.6

Schematics



Ethernet Discrete Lan Transformer Dual Port – BXRT Series

Electrical Characteristics

Part Number	Data Rate	Turns Ratio (±5%)		OCL (uH Min) @ 100KHz/0.1V with 8mA DC Bias	C _{www} (pF Max)	L.L (uH Max)	DCR (Ω Max)	HI-POT
	Base-T	TX	RX					
BXRT00DIS050M24SCH	1000	1CT:1CT	1CT:1CT	350	28	0.5	1.0	AC1500V/1mA

Part Number	Insertion Loss (dB Max)	Return Loss (dB Min)					Cross talk (dB Min)			DCMR (dB Min)		
	1-100	1-30	40	50	60-80	100	30	60	100	30	60	200
	MHz											
BXRT00DIS050M24SCH	-1.0	-18	-16	-14.08	-12.5	-10	-40	-35	-30	-43	-37	-33

- Operating temperature range - 40°C ~ 85°C
- Storage temperature range - 40°C ~ 85°C
- Electrical Specification @25°C, Humidity 65% RH

Part Number	Data Rate	Turns Ratio (±5%)		OCL (uH Min) @ 100KHz/0.1V with 8mA DC Bias	C _{www} (pF Max)	L.L (uH Max)	DCR (Ω Max)	HI-POT
	Base-T	TX	RX					
BXRT00DIS050M22SCL	1000	1CT:1CT	1CT:1CT	350	28	0.5	1.0	AC1500V/1mA

Part Number	Insertion Loss (dB Max)	Return Loss (dB Min)					Cross talk (dB Min)			DCMR (dB Min)		
	1-100	1-30	40	50	60-80	100	30	60	100	30	60	200
	MHz											
BXRT00DIS050M22SCL	-1.0	-18	-16	-14.08	-12.5	-10	-40	-35	-30	-43	-37	-33

- Operating temperature range 0°C ~ 70°C
- Storage temperature range - 25°C ~ 85°C
- Electrical Specification @25°C, Humidity 65% RH