

Description

Amphenol miniature UHF connectors are designed for use as coaxial interconnections in cellular mobile telephone systems and similar applications where size, weight and cost factors are critical. These connectors will terminate RG-58, -58A, -58B, -58C, and Belden 9258 cables. Crimp-type cable plugs and jacks are available as well as panel and printed circuit board receptacles.

Applications

- Cellular mobile telephone.
- Low cost local area networks.
- Telecommunications

Features/Benefits

These miniature 3/8-24 thread size UHF connectors provide excellent RF performance for applications up to 2.5 GHz. This compares to the limit of 300 MHz for the standard 5/8-24 thread size UHF connectors normally associated with CB applications.

Combining excellent electrical characteristics, small size and light weight, mini-UHF connectors feature crimp-type cable termination providing low installation cost.

Mini-UHF

Specifications	144
Plugs, Jacks & Receptacles	145

SPECIFICATIONS*

ELECTRICAL

Impedance	50 ohms
Frequency range	0-2.5 GHz
Voltage rating	335 volts at sea level
Dielectric withstanding voltage	1,000 volts rms.
VSWR	1.25 max., 0-2.5 GHz
Insulation resistance	5,000 megohms min.

ENVIRONMENTAL

Temperature range	- 55°C to + 85°C
Shock	Per MIL-Std. 202
Vibration	Per MIL-Std. 202
Thermal shock	Per MIL-Std. 202
Salt spray	Per MIL-Std. 202

MATERIAL

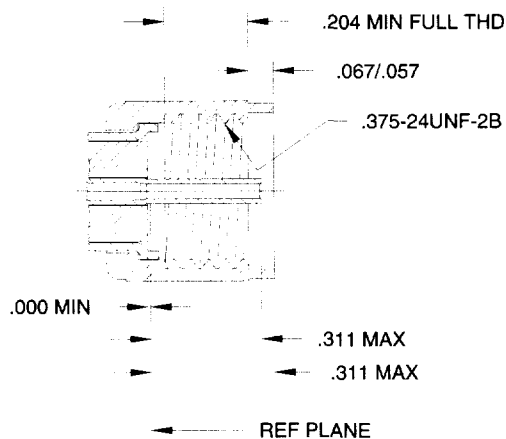
Plug coupling nuts and jack bodies	Brass or zinc alloy
Other metal parts	Brass
Insulator	Polypropylene
Plating	Contacts - Tin lead Other metal parts - Nickel

MECHANICAL

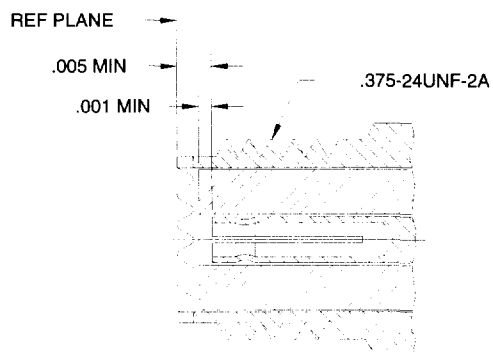
Mating	3/8-24 threaded coupling
Cable affixment (braid)	Crimp
Cable affixment (center conductor)	Crimp
Cable retention	40 lb. min.

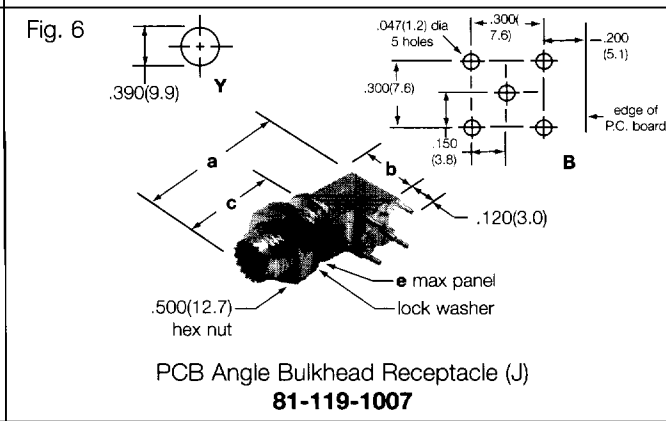
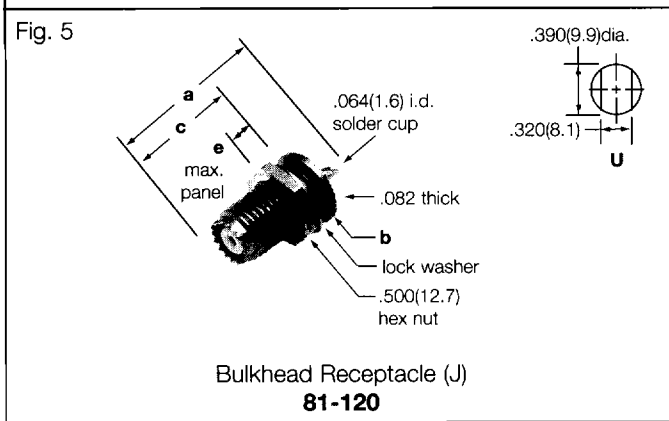
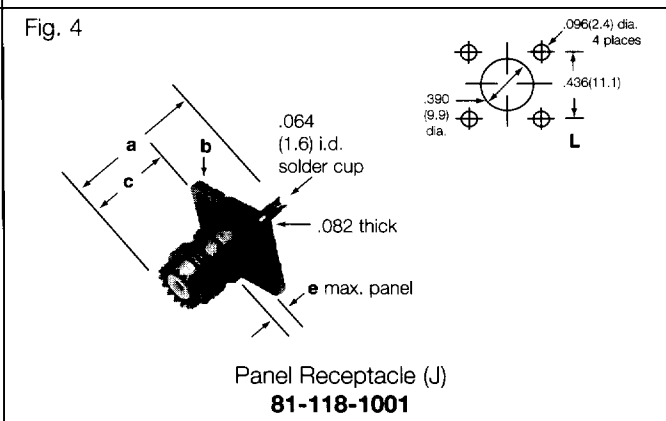
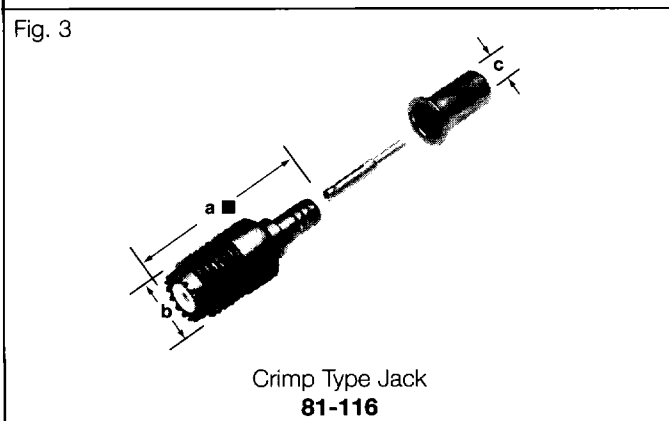
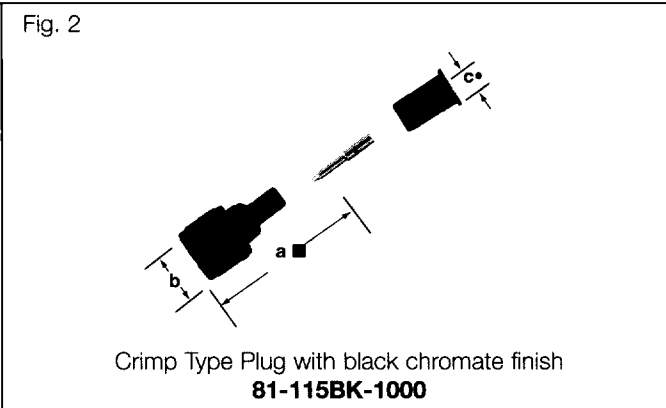
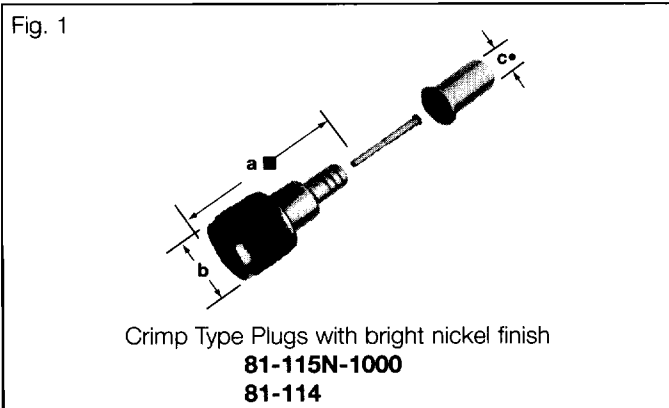
* These characteristics are typical and may not apply to all connectors.

MINI-UHF PLUG



MINI-UHF JACK





Mini-UHF

MINI UHF PLUGS & JACKS

Cable RG-/U	Conn. Type	Cable Attachment		Dimensions Inches (mm)			CAI	Plt.	Ins.	Amphenol Number	Fig.
		Outer	Inner	a	b	c •					
58	Plug	Crimp	Crimp	1.14(28.9) ■	.447(11.3)	.206(5.2)	C39	P15	D9	81-115N-1000	1 ▲
	Plug	Crimp	Crimp	1.14(28.9) ■	.447(11.3)	.206(5.2)	C39	P35	D9	81-115BK-1000	2 ▲
	Jack	Crimp	Crimp	1.17(29.7) ■	.375(9.5)	.206(5.2)	C39	P5	D14	81-116	3 ▲
Belden 9258	Plug	Crimp	Crimp	1.21(30.7) ■	.447(11.3)	.256(6.5)	C39	P5	D14	81-114	1

MINI UHF ADAPTERS & RECEPTACLES

Connector Type	Dimensions Inches (mm)				CAI	Plt.	Ins.	MTG Hole	Amphenol Number	Fig.
	a	b	c	e						
Panel Receptacle (J)	.925(23.5)	.625(15.9) sq	.487(12.4)	.187(4.7) ▼	—	P5	D14	L	81-118-1001	4
Bulkhead Receptacle (J)	.901(22.9)	.500(12.7) dia	.630(16.0)	.125(3.2)	—	P5	D14	U	81-120	5
PCB Angle Bulkhead Receptacle (J)	1.13(28.8)	.598(15.2)	.575(14.6)	.125(3.2)	—	P36	D1/26	Y/B	81-119-1007	6

• accommodates cable diameter ▲ distributor stocked ▼ max. panel when rear mounted thru panel ■ includes outer ferrule