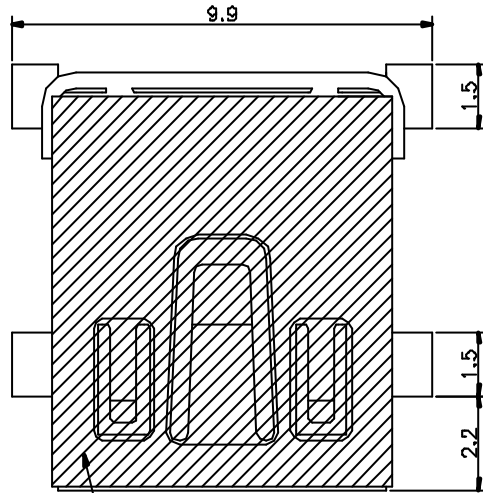
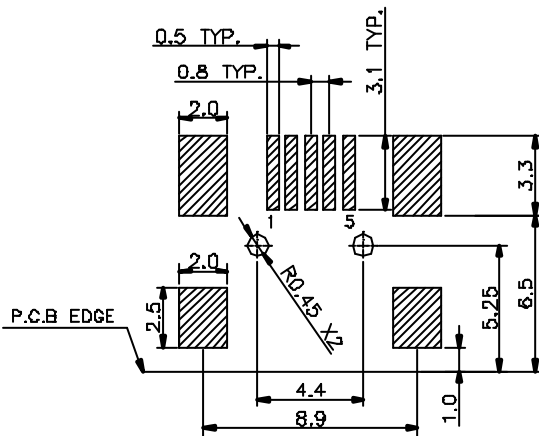
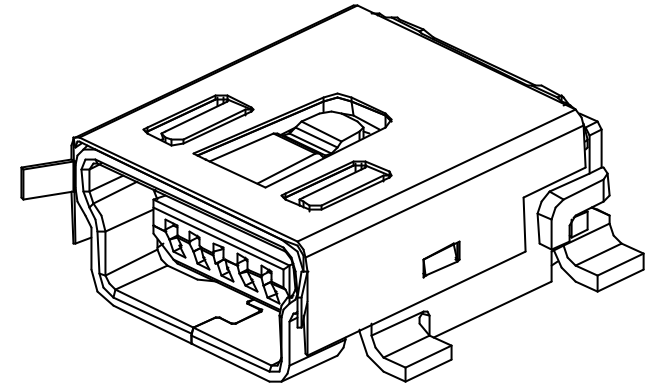
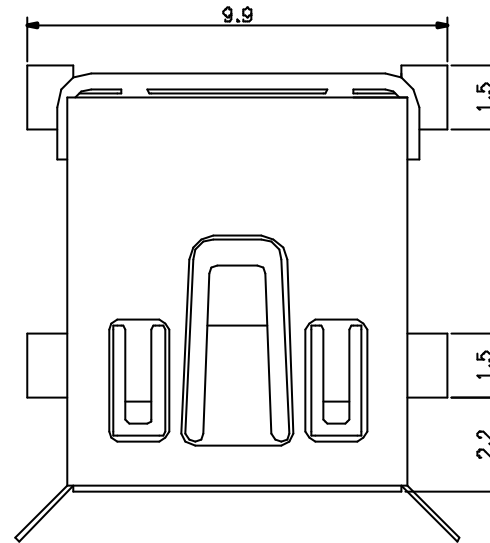


# 3515 SERIES USB(MINI-B) RECEPTACLE

REV	DATE	DESCRIPTION	ECN NO.	NAME
A	01.03.29	NEW RELEASE		Fred Lee
B	01.06.11	△ ADD OPTION	I0106014	Fred Lee
C	01.10.24	△ MODIFY ENGINEERING DRAWING	I0110006	Fred Lee
D	03.12.29	△ ADD NOTE	AK0312037	Lome
E	04.01.14	△ MODIFY SPEC	CECRO4000642	PETER
F	04.04.24	△ ADD P/N OPTION	AK0404016	LUBING
G	04.08.30	△ MODIFICATION	AK0407012	ZHYING
H	04.11.13	△ MODIFICATION	AK0411011	WSANMIN

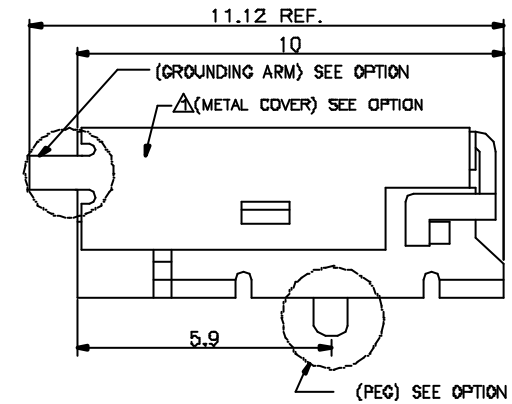
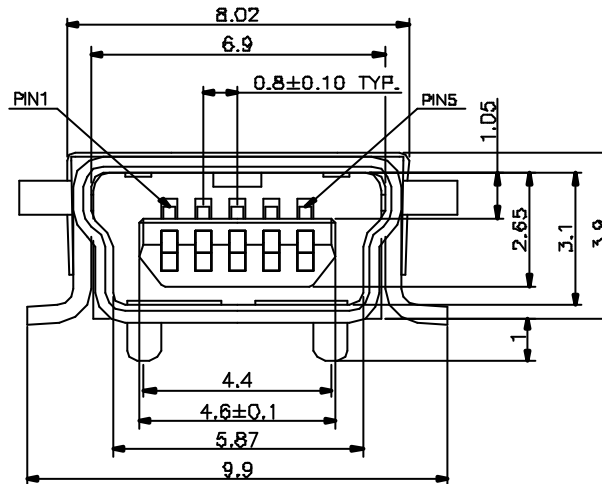


COVER TAPE △



RECOMMENDED P.C.B. LAYOUT  
TOLERANCE(±0.05mm)

△ NOTE: SMD COPLANARITY TOLERANCE 0.13mm Max.



GENERAL TOLERANCE ±0.25mm	 WIESON TECHNOLOGIES CO., LTD	PART NO.: *3515-*****	
GENERAL ANGLE TOLERANCE ±3°		DRAWN BY Fred Lee	DRAWING NO. *3515-001
		CHECKED BY <b>JIMMY</b>	DRAWING SIZE 8 : 1   A3
		APPROVED BY KEVIN	UNIT mm
		SORTING NO. WSC	PAGE 1 OF 2

ISSUED

[ARTICLE:044033 V3]

# 3515 SERIES USB(MINI-B) RECEPTACLE

## MATERIAL:

HOUSING:THERMOPLASTIC (UL94V-0)

HOUSING COLOR:BLACK

TERMINAL: COPPER ALLOY

TERMINAL PLATING: Au PLATED IN CONTACT AREA,150u"min.

Sn/Pb (OR Tin FOR G3515-\*\*\*\*\*) ON SOLDER TAIL AREA,  
BOTH OVER 50u" Min. Ni UNDERPLATED.

SHELL: COPPER ALLOY.

FINISH: SEE ORDER INFORMATION

GROUNDING PLATE: STAINLESS STEEL.

## ORDER INFORMATION

\*3515-\*\* \*\* \*

(PEG/GROUNDING ARM/METAL COVER)

- 01:W/O PEG ,W/ METAL COVER ONLY
- 02:WITH PEG AND METAL COVER ONLY
- 03:W/O PEG ,W/ GROUNDING ARM
- 04:W/ PEG AND GROUNDING ARM
- △11:W/O PEG AND METAL COVER
- △12:WITH PEG ,W/O METAL COVER
- △14:W/O PEG AND METAL COVER  
W/ COVER TAPE
- △15:W/ PEG ,W/O METAL COVER  
W/ COVER TAPE

(WIESON LOGO)

01:WIESON MARK

02:WITHOUT WIESON MARK

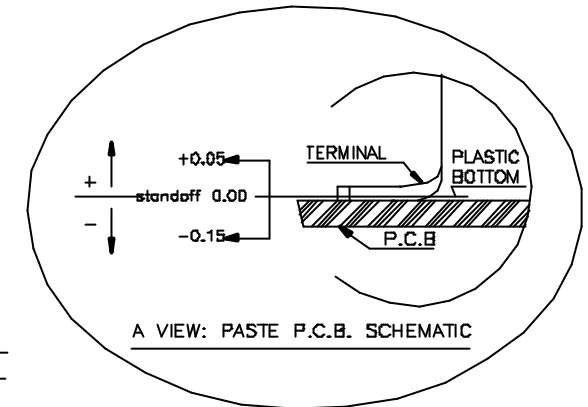
□: NORMAL PRODUCT

\*G\*: GREEN PRODUCT

(PACKING/TERMINAL PLATING/SHELL PLATING)

- △△ 01:TRAY, TERMINAL: 1u" Au , SHELL: Sn PLATED
- △ 02:TRAY, TERMINAL: 30u" Au , SHELL: Sn PLATED
- △ 03:TRAY, TERMINAL: 15u" Au , SHELL: Sn PLATED
- △ 11:TAPE&REEL, TERMINAL: 1u" Au , SHELL: Sn PLATED
- △ 12:TAPE&REEL, TERMINAL: 30u" Au , SHELL: Sn PLATED
- △ 13:TAPE&REEL, TERMINAL: 15u" Au , SHELL: Sn PLATED
- △△ 21:TRAY, TERMINAL: 1u" Au , SHELL: WELDABLE Ni PLATED
- △△ 22:TRAY, TERMINAL: 30u" Au , SHELL: WELDABLE Ni PLATED
- △△ 23:TRAY, TERMINAL: 15u" Au , SHELL: WELDABLE Ni PLATED
- △△ 31:TAPE&REEL, TERMINAL: 1u" Au , SHELL: WELDABLE Ni PLATED
- △△ 32:TAPE&REEL, TERMINAL: 30u" Au , SHELL: WELDABLE Ni PLATED
- △△ 33:TAPE&REEL, TERMINAL: 15u" Au , SHELL: WELDABLE Ni PLATED

REV	DATE	DESCRIPTION	ECN NO.	NAME
A	01.03.29	NEW RELEASE		Fred Lee
B	01.06.11	△ ADD OPTION	I0106014	Fred Lee
C	01.10.24	△ MODIFY ENGINEERING DRAWING	I0110006	Fred Lee
D	03.12.29	△ ADD NOTE	AK0312037	Lorne
E	04.01.14	△ MODIFY SPEC	CECRO4000642	PETER
F	04.04.24	△ ADD P/N OPTION	AK0404016	LUBING
G	04.08.30	△ MODIFICATION	AK0407012	ZHYING
H	04.11.13	△ MODIFICATION	AK0411011	WSANMIN



A VIEW: PASTE P.C.B. SCHEMATIC

GENERAL TOLERANCE ±0.25mm GENERAL ANGLE TOLERANCE ±3°	WIESON TECHNOLOGIES CO., LTD		PART NO.: *3515-*****	
	DRAWN BY	Fred Lee	DRAWING NO.	*3515-001
	CHECKED BY	<b>JIMMY</b>	DRAWING SIZE	B : 1 A3
	APPROVED BY	KEVIN	UNIT	mm
	SORTING NO.	WSC	PAGE	2 OF 2

ISSUED

[ARTICLE:044033 V3]