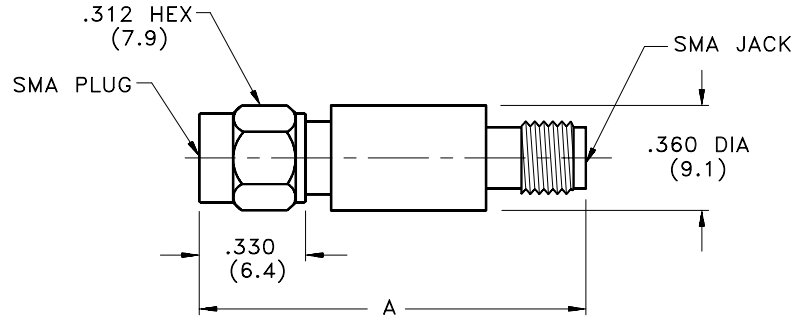


### MIL-A-3933/14

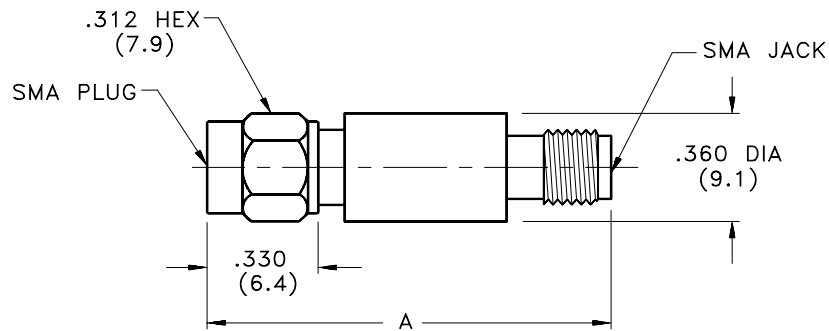


MILITARY PART NO.	MIDWEST PART NO.	DIMENSION A INCHES (mm) (max)	ATTENUATION VALUE (dB) (nom)	FREQUENCY RANGE (GHz)	COMMERCIAL ALTERNATE
-01	M3933/14-01N	1.20 (30.5)	3	DC - 12.4	ATT-0205-03-SMA-02
-02	M3933/14-02N	1.20 (30.5)	6	DC - 12.4	ATT-0205-06-SMA-02
-03	M3933/14-03N	1.20 (30.5)	10	DC - 12.4	ATT-0205-10-SMA-02
-04	M3933/14-04N	1.20 (30.5)	20	DC - 12.4	ATT-0205-20-SMA-02
-05	M3933/14-05N	1.20 (30.5)	15	DC - 12.4	ATT-0205-15-SMA-02
-06	M3933/14-06N	1.20 (30.5)	1	DC - 12.4	ATT-0205-01-SMA-02
-07	M3933/14-07N	1.20 (30.5)	2	DC - 12.4	ATT-0205-02-SMA-02
-08	M3933/14-08N	1.20 (30.5)	4	DC - 12.4	ATT-0205-04-SMA-02
-09	M3933/14-09N	1.20 (30.5)	5	DC - 12.4	ATT-0205-05-SMA-02
-10	M3933/14-10N	1.20 (30.5)	7	DC - 12.4	ATT-0205-07-SMA-02
-11	M3933/14-11N	1.20 (30.5)	8	DC - 12.4	ATT-0205-08-SMA-02
-12	M3933/14-12N	1.20 (30.5)	9	DC - 12.4	ATT-0205-09-SMA-02
-13	M3933/14-13N	1.50 (38.1)	30	DC - 12.4	ATT-0205-30-SMA-02
-14	M3933/14-14N	1.50 (38.1)	40	DC - 12.4	ATT-0205-40-SMA-02
-15	M3933/14-15N	1.50 (38.1)	60	DC - 12.4	ATT-0205-60-SMA-02
-17	M3933/14-17N	1.50 (38.1)	28	DC - 12.4	ATT-0205-28-SMA-02
-18	M3933/14-18N	1.20 (30.5)	16	DC - 12.4	ATT-0205-16-SMA-02
-19	M3933/14-19N	1.20 (30.5)	14	DC - 12.4	ATT-0205-14-SMA-02
-20	M3933/14-20N	1.20 (30.5)	13	DC - 12.4	ATT-0205-13-SMA-02
-21	M3933/14-21N	1.20 (30.5)	12	DC - 12.4	ATT-0205-12-SMA-02
-22	M3933/14-22N	1.20 (30.5)	11	DC - 12.4	ATT-0205-11-SMA-02
-23	M3933/14-23N	1.20 (30.5)	1.5	DC - 12.4	ATT-0205-72-SMA-02
-24	M3933/14-24N	1.50 (38.1)	31	DC - 12.4	ATT-0205-31-SMA-02

**Notes:**

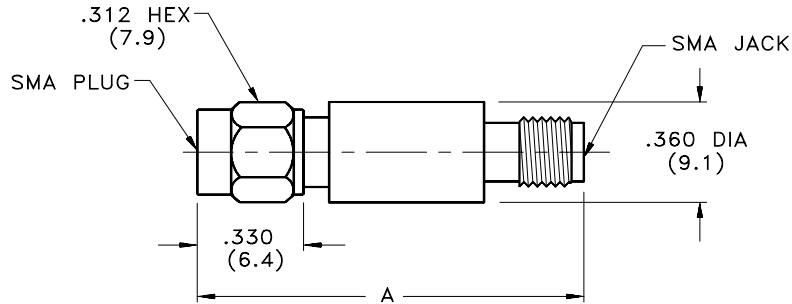
1. Midwest Microwave part number reflects a non-screened part. For a screened part, change suffix "N" to "S".
2. See Appendix for description of connector interface.

### MIL-A-3933/16



MILITARY PART NO.	MIDWEST PART NO	DIMENSION A INCHES (mm) (max)	ATTENUATION VALUE (dB) (nom)	FREQUENCY RANGE (GHz)	COMMERCIAL ALTERNATE
- 01	M3933/16-01N	1.20 (30.5)	3	DC - 18.0	ATT-0263-03-SMA-02
- 02	M3933/16-02N	1.20 (30.5)	6	DC - 18.0	ATT-0263-06-SMA-02
- 03	M3933/16-03N	1.20 (30.5)	10	DC - 18.0	ATT-0263-10-SMA-02
- 04	M3933/16-04N	1.20 (30.5)	20	DC - 18.0	ATT-0263-20-SMA-02
- 05	M3933/16-05N	1.20 (30.5)	1	DC - 18.0	ATT-0263-01-SMA-02
- 06	M3933/16-06N	1.20 (30.5)	2	DC - 18.0	ATT-0263-02-SMA-02
- 07	M3933/16-07N	1.20 (30.5)	4	DC - 18.0	ATT-0263-04-SMA-02
- 08	M3933/16-08N	1.20 (30.5)	5	DC - 18.0	ATT-0263-05-SMA-02
- 09	M3933/16-09N	1.20 (30.5)	7	DC - 18.0	ATT-0263-07-SMA-02
- 10	M3933/16-10N	1.20 (30.5)	8	DC - 18.0	ATT-0263-08-SMA-02
- 11	M3933/16-11N	1.20 (30.5)	9	DC - 18.0	ATT-0263-09-SMA-02
- 12	M3933/16-12N	1.50 (38.1)	30	DC - 18.0	ATT-0263-30-SMA-02
- 13	M3933/16-13N	1.49 (37.8)	40	DC - 18.0	ATT-0263-40-SMA-02
- 16	M3933/16-16N	1.20 (30.5)	0	DC - 18.0	ATT-0263-00-SMA-02
- 17	M3933/16-17N	1.20 (30.5)	.5	DC - 18.0	ATT-0263-70-SMA-02
- 18	M3933/16-18N	1.20 (30.5)	1.5	DC - 18.0	ATT-0263-71-SMA-02
- 19	M3933/16-19N	1.20 (30.5)	2.5	DC - 18.0	ATT-0263-72-SMA-02
- 20	M3933/16-20N	1.20 (30.5)	3.5	DC - 18.0	ATT-0263-73-SMA-02
- 21	M3933/16-21N	1.20 (30.5)	4.5	DC - 18.0	ATT-0263-74-SMA-02
- 22	M3933/16-22N	1.20 (30.0)	5.5	DC - 18.0	ATT-0263-75-SMA-02
- 23	M3933/16-23N	1.20 (30.5)	6.5	DC - 18.0	ATT-0263-76-SMA-02
- 24	M3933/16-24N	1.20 (30.5)	7.5	DC - 18.0	ATT-0263-77-SMA-02
- 25	M3933/16-25N	1.20 (30.5)	8.5	DC - 18.0	ATT-0263-78-SMA-02
- 26	M3933/16-26N	1.20 (30.5)	9.5	DC - 18.0	ATT-0263-79-SMA-02
- 27	M3933/16-27N	1.20 (30.5)	10.5	DC - 18.0	ATT-0263-80-SMA-02
- 28	M3933/16-28N	1.20 (30.5)	11	DC - 18.0	ATT-0263-11-SMA-02

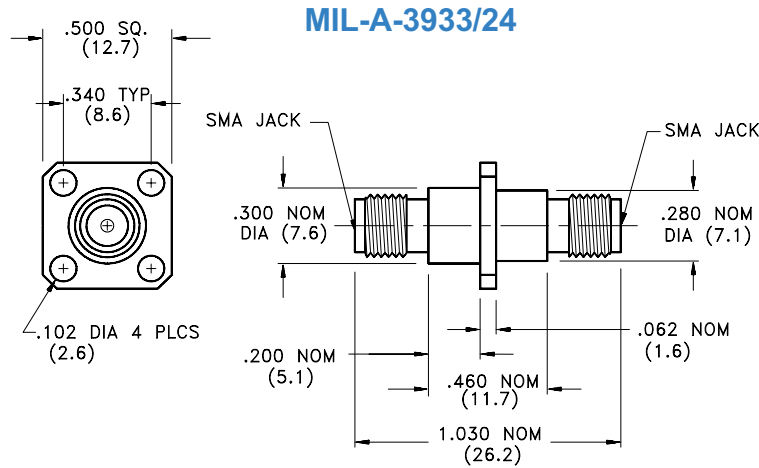
### MIL-A-3933/16



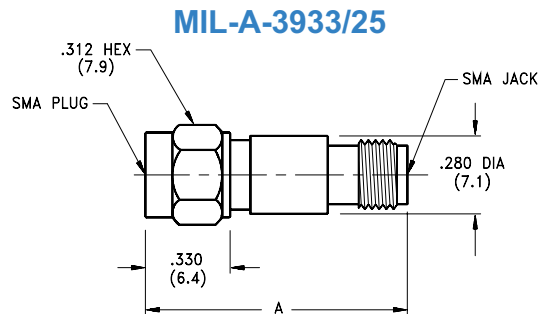
MILITARY PART NO.	MIDWEST PART NO.	DIMENSION A INCHES (mm) (max)	ATTENUATION VALUE (dB) (nom)	FREQUENCY RANGE (GHz)	COMMERCIAL ALTERNATE
- 29	M3933/16-29N	1.20 (30.5)	11.5	DC - 18.0	ATT-0263-81-SMA-02
- 30	M3933/16-30N	1.20 (30.5)	12	DC - 18.0	ATT-0263-12-SMA-02
- 31	M3933/16-31N	1.20 (30.5)	12.5	DC - 18.0	ATT-0263-82-SMA-02
- 32	M3933/16-32N	1.20 (30.5)	13	DC - 18.0	ATT-0263-13-SMA-02
- 33	M3933/16-33N	1.20 (30.5)	13.5	DC - 18.0	ATT-0263-83-SMA-02
- 34	M3933/16-34N	1.20 (30.5)	14	DC - 18.0	ATT-0263-14-SMA-02
- 35	M3933/16-35N	1.20 (30.5)	14.5	DC - 18.0	ATT-0263-84-SMA-02
- 36	M3933/16-36N	1.20 (30.0)	15	DC - 18.0	ATT-0263-15-SMA-02
- 37	M3933/16-37N	1.20 (30.5)	15.5	DC - 18.0	ATT-0263-85-SMA-02
- 38	M3933/16-38N	1.20 (30.5)	16	DC - 18.0	ATT-0263-16-SMA-02
- 39	M3933/16-39N	1.20 (30.5)	16.5	DC - 18.0	ATT-0263-86-SMA-02
- 40	M3933/16-40N	1.20 (30.5)	17	DC - 18.0	ATT-0263-17-SMA-02
- 41	M3933/16-41N	1.20 (30.5)	17.5	DC - 18.0	ATT-0263-87-SMA-02
- 42	M3933/16-42N	1.20 (30.5)	18	DC - 18.0	ATT-0263-18-SMA-02
- 43	M3933/16-43N	1.20 (30.5)	18.5	DC - 18.0	ATT-0263-88-SMA-02
- 44	M3933/16-44N	1.20 (30.5)	19	DC - 18.0	ATT-0263-19-SMA-02
- 45	M3933/16-45N	1.20 (30.5)	19.5	DC - 18.0	ATT-0263-89-SMA-02
- 46	M3933/16-46N	1.20 (30.5)	20.5	DC - 18.0	ATT-0263-90-SMA-02
- 47	M3933/16-47N	1.20 (30.5)	21	DC - 18.0	ATT-0263-21-SMA-02
- 48	M3933/16-48N	1.20 (30.5)	21.5	DC - 18.0	ATT-0263-91-SMA-02
- 49	M3933/16-49N	1.20 (30.5)	22	DC - 18.0	ATT-0263-22-SMA-02
- 50	M3933/16-50N	1.20 (30.5)	22.5	DC - 18.0	ATT-0263-92-SMA-02
- 51	M3933/16-51N	1.20 (30.5)	23	DC - 18.0	ATT-0263-23-SMA-02
- 52	M3933/16-52N	1.20 (30.5)	23.5	DC - 18.0	ATT-0263-93-SMA-02
- 53	M3933/16-53N	1.20 (30.5)	24	DC - 18.0	ATT-0263-24-SMA-02
- 54	M3933/16-54N	1.20 (30.5)	24.5	DC - 18.0	ATT-0263-94-SMA-02
- 55	M3933/16-55N	1.20 (30.5)	25	DC - 18.0	ATT-0263-25-SMA-02
- 56	M3933/16-56N	1.20 (30.5)	28	DC - 18.0	ATT-0263-28-SMA-02
- 57	M3933/16-56N	1.49 (37.8)	32	DC - 18.0	ATT-0263-32-SMA-02
- 58	M3933/16-58N	1.49 (37.8)	36	DC - 18.0	ATT-0263-36-SMA-02

**Notes:**

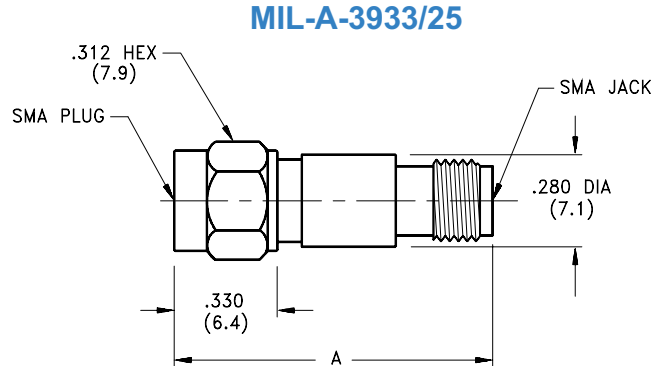
1. Midwest Microwave part number reflects a non-screened part. For a screened part, change suffix "N" to "S".
2. See Appendix for description of connector interface.



MILITARY PART NO.	MIDWEST PART NO.	DIMENSION A INCHES (mm) (max)	ATTENUATION VALUE (dB) (nom)	FREQUENCY RANGE (GHz)	COMMERCIAL ALTERNATE
-01	M3933/24-01N	1.03 (26.2)	10	2.0 - 12.4	ATT-523F-10-000-02
-02	M3933/24-02N	1.03 (26.2)	15	2.0 - 12.4	ATT-523F-15-000-02
-03	M3933/24-03N	1.03 (26.2)	20	2.0 - 12.4	ATT-523F-20-000-02



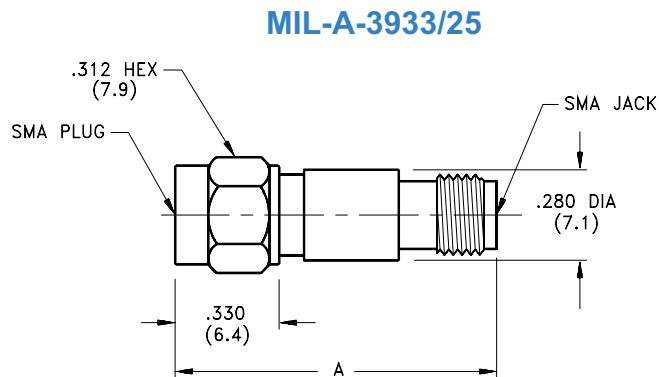
MILITARY PART NO.	MIDWEST PART NO.	DIMENSION A INCHES (mm) (max)	ATTENUATION VALUE (dB) (nom)	FREQUENCY RANGE (GHz)	COMMERCIAL ALTERNATE
-01	M3933/25-01N	0.86 (21.9)	1	DC - 2.0	ATT-0294-01-SMA-02
-02	M3933/25-02N	0.86 (21.9)	2	DC - 2.0	ATT-0294-02-SMA-02
-03	M3933/25-03N	0.86 (21.9)	3	DC - 2.0	ATT-0294-03-SMA-02
-04	M3933/25-04N	0.86 (21.9)	4	DC - 2.0	ATT-0294-04-SMA-02
-05	M3933/25-05N	0.86 (21.9)	5	DC - 2.0	ATT-0294-05-SMA-02
-06	M3933/25-06N	0.86 (21.9)	6	DC - 2.0	ATT-0294-06-SMA-02
-07	M3933/25-07N	0.86 (21.9)	7	DC - 2.0	ATT-0294-07-SMA-02
-08	M3933/25-08N	0.86 (21.9)	8	DC - 2.0	ATT-0294-08-SMA-02
-09	M3933/25-09N	0.86 (21.9)	9	DC - 2.0	ATT-0294-09-SMA-02
-10	M3933/25-10N	0.86 (21.9)	10	DC - 2.0	ATT-0294-10-SMA-02
-11	M3933/25-11N	0.86 (21.9)	11	DC - 2.0	ATT-0294-11-SMA-02
-12	M3933/25-12N	0.86 (21.9)	12	DC - 2.0	ATT-0294-12-SMA-02
-13	M3933/25-13N	1.02 (26.0)	13	DC - 2.0	ATT-0294-13-SMA-02
-14	M3933/25-14N	1.02 (26.0)	14	DC - 2.0	ATT-0294-14-SMA-02
-15	M3933/25-15N	1.02 (26.0)	15	DC - 2.0	ATT-0294-15-SMA-02



MILITARY PART NO.	MIDWEST PART NO.	DIMENSION A INCHES (mm) (max)	ATTENUATION VALUE (dB) (nom)	FREQUENCY RANGE (GHz)	COMMERCIAL ALTERNATE
-16	M3933/25-16N	1.02 (26.0)	16	DC - 2.0	ATT-0294-16-SMA-02
-17	M3933/25-17N	1.02 (26.0)	17	DC - 2.0	ATT-0294-17-SMA-02
-18	M3933/25-18N	1.02 (26.0)	18	DC - 2.0	ATT-0294-18-SMA-02
-19	M3933/25-19N	1.02 (26.0)	19	DC - 2.0	ATT-0294-19-SMA-02
-20	M3933/25-20N	1.02 (26.0)	20	DC - 2.0	ATT-0294-20-SMA-02
-21	M3933/25-21N	1.02 (26.0)	21	DC - 2.0	ATT-0294-21-SMA-02
-22	M3933/25-22N	1.02 (26.0)	22	DC - 2.0	ATT-0294-22-SMA-02
-23	M3933/25-23N	1.02 (26.0)	23	DC - 2.0	ATT-0294-23-SMA-02
-24	M3933/25-24N	1.02 (26.0)	24	DC - 2.0	ATT-0294-24-SMA-02
-25	M3933/25-25N	1.02 (26.0)	25	DC - 2.0	ATT-0294-25-SMA-02
-26	M3933/25-26N	1.02 (26.0)	30	DC - 2.0	ATT-0294-30-SMA-02
-27	M3933/25-27N	0.86 (21.9)	1	DC - 12.4	ATT-0291-01-SMA-02
-28	M3933/25-28N	0.86 (21.9)	2	DC - 12.4	ATT-0291-02-SMA-02
-29	M3933/25-29N	0.86 (21.9)	3	DC - 12.4	ATT-0291-03-SMA-02
-30	M3933/25-30N	0.86 (21.9)	4	DC - 12.4	ATT-0291-04-SMA-02
-31	M3933/25-31N	0.86 (21.9)	5	DC - 12.4	ATT-0291-05-SMA-02
-32	M3933/25-32N	0.86 (21.9)	6	DC - 12.4	ATT-0291-06-SMA-02
-33	M3933/25-33N	0.86 (21.9)	7	DC - 12.4	ATT-0291-07-SMA-02
-34	M3933/25-34N	0.86 (21.9)	8	DC - 12.4	ATT-0291-08-SMA-02
-35	M3933/25-35N	0.86 (21.9)	9	DC - 12.4	ATT-0291-09-SMA-02
-36	M3933/25-36N	0.86 (21.9)	10	DC - 12.4	ATT-0291-10-SMA-02
-37	M3933/25-37N	0.86 (21.9)	11	DC - 12.4	ATT-0291-11-SMA-02
-38	M3933/25-38N	0.86 (21.9)	12	DC - 12.4	ATT-0291-12-SMA-02
-39	M3933/25-39N	0.94 (23.9)	13	DC - 12.4	ATT-0291-13-SMA-02
-40	M3933/25-40N	0.94 (23.9)	14	DC - 12.4	ATT-0291-14-SMA-02

**Notes:**

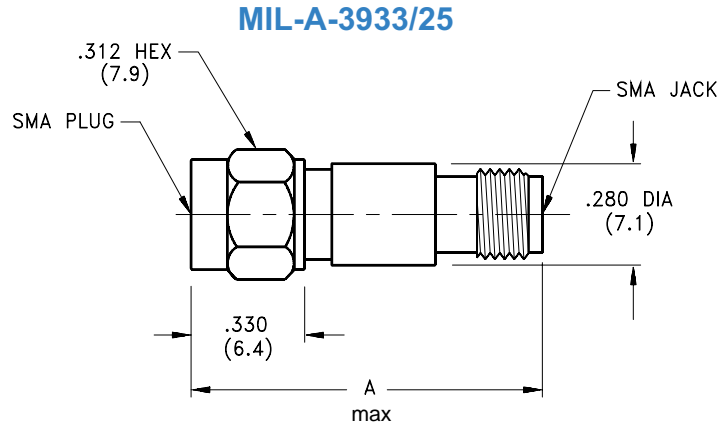
1. Midwest Microwave part number reflects a non-screened part. For a screened part, change suffix "N" to "S".
2. See Appendix for description of connector interface.



MILITARY PART NO.	MIDWEST PART NO.	DIMENSION A INCHES (mm) (max)	ATTENUATION VALUE (dB) (nom)	FREQUENCY RANGE (GHz)	COMMERCIAL ALTERNATE
- 41	M3933/25-41N	0.94 (23.9)	15	DC - 12.4	ATT-0291-15-SMA-02
- 42	M3933/25-42N	0.94 (23.9)	16	DC - 12.4	ATT-0291-16-SMA-02
- 43	M3933/25-43N	0.94 (23.9)	17	DC - 12.4	ATT-0291-17-SMA-02
- 44	M3933/25-44N	0.94 (23.9)	18	DC - 12.4	ATT-0291-18-SMA-02
- 45	M3933/25-45N	0.94 (23.9)	19	DC - 12.4	ATT-0291-19-SMA-02
- 46	M3933/25-46N	1.02 (26.0)	20	DC - 12.4	ATT-0291-20-SMA-02
- 47	M3933/25-47N	1.02 (26.0)	21	DC - 12.4	ATT-0291-21-SMA-02
- 48	M3933/25-48N	1.02 (26.0)	22	DC - 12.4	ATT-0291-22-SMA-02
- 49	M3933/25-49N	1.02 (26.0)	23	DC - 12.4	ATT-0291-23-SMA-02
- 50	M3933/25-50N	1.02 (26.0)	24	DC - 12.4	ATT-0291-24-SMA-02
- 51	M3933/25-51N	1.02 (26.0)	25	DC - 12.4	ATT-0291-25-SMA-02
- 52	M3933/25-52N	1.02 (26.0)	30	DC - 12.4	ATT-0291-30-SMA-02
- 53	M3933/25-53N	1.02 (26.0)	35	DC - 12.4	ATT-0291-35-SMA-02
- 54	M3933/25-54N	1.02 (26.0)	40	DC - 12.4	ATT-0291-40-SMA-02
- 58	M3933/25-58N	0.86 (21.9)	0	DC - 18.0	ATT-0290-00-SMA-02
- 59	M3933/25-59N	0.86 (21.9)	.5	DC - 18.0	ATT-0290-70-SMA-02
- 60	M3933/25-60N	0.86 (21.9)	1	DC - 18.0	ATT-0290-01-SMA-02
- 61	M3933/25-61N	0.86 (21.9)	1.5	DC - 18.0	ATT-0290-71-SMA-02
- 62	M3933/25-62N	0.86 (21.9)	2	DC - 18.0	ATT-0290-02-SMA-02
- 63	M3933/25-63N	0.86 (21.9)	2.5	DC - 18.0	ATT-0290-72-SMA-02
- 64	M3933/25-64N	0.86 (21.9)	3	DC - 18.0	ATT-0290-03-SMA-02
- 65	M3933/25-65N	0.86 (21.9)	3.5	DC - 18.0	ATT-0290-73-SMA-02
- 66	M3933/25-66N	0.86 (21.9)	4	DC - 18.0	ATT-0290-04-SMA-02
- 67	M3933/25-67N	0.86 (21.9)	4.5	DC - 18.0	ATT-0290-74-SMA-02
- 68	M3933/25-68N	0.86 (21.9)	5	DC - 18.0	ATT-0290-05-SMA-02
- 69	M3933/25-69N	0.86 (26.0)	5.5	DC - 18.0	ATT-0290-75-SMA-02

**Notes:**

1. Midwest Microwave part number reflects a non-screened part. For a screened part, change suffix "N" to "S".
2. See Appendix for description of connector interface.



MILITARY PART NO.	MIDWEST PART NO.	DIMENSION A INCHES (mm)	ATTENUATION VALUE (dB)	FREQUENCY RANGE (GHZ)	COMMERCIAL ALTERNATE
- 70	M3933/25-70N	0.86 (21.9)	6	DC - 18.0	ATT-0290-06-SMA-02
- 71	M3933/25-71N	0.86 (21.9)	6.5	DC - 18.0	ATT-0290-76-SMA-02
- 72	M3933/25-72N	0.86 (21.9)	7	DC - 18.0	ATT-0290-07-SMA-02
- 73	M3933/25-73N	0.86 (21.9)	7.5	DC - 18.0	ATT-0290-77-SMA-02
- 74	M3933/25-74N	0.86 (21.9)	8	DC - 18.0	ATT-0290-08-SMA-02
- 75	M3933/25-75N	0.86 (21.9)	8.5	DC - 18.0	ATT-0290-78-SMA-02
- 76	M3933/25-76N	0.86 (21.9)	9	DC - 18.0	ATT-0290-09-SMA-02
- 77	M3933/25-77N	0.86 (21.9)	9.5	DC - 18.0	ATT-0290-79-SMA-02
- 78	M3933/25-78N	0.86 (21.9)	10	DC - 18.0	ATT-0290-10-SMA-02
- 79	M3933/25-79N	0.86 (21.9)	11	DC - 18.0	ATT-0290-11-SMA-02
- 80	M3933/25-80N	0.86 (21.9)	12	DC - 18.0	ATT-0290-12-SMA-02
- 81	M3933/25-81N	0.94 (23.9)	13	DC - 18.0	ATT-0290-13-SMA-02
- 82	M3933/25-82N	0.94 (23.9)	14	DC - 18.0	ATT-0290-14-SMA-02
- 83	M3933/25-83N	1.02 (26.0)	15	DC - 18.0	ATT-0290-15-SMA-02
- 84	M3933/25-84N	1.02 (26.0)	16	DC - 18.0	ATT-0290-16-SMA-02
- 85	M3933/25-85N	1.02 (26.0)	17	DC - 18.0	ATT-0290-17-SMA-02
- 86	M3933/25-86N	1.02 (26.0)	18	DC - 18.0	ATT-0290-18-SMA-02
- 87	M3933/25-87N	1.02 (26.0)	19	DC - 18.0	ATT-0290-19-SMA-02
- 88	M3933/25-88N	1.02 (26.0)	20	DC - 18.0	ATT-0290-20-SMA-02
- 89	M3933/25-89N	1.02 (26.0)	25	DC - 18.0	ATT-0290-25-SMA-02
- 90	M3933/25-90N	1.02 (26.0)	30	DC - 18.0	ATT-0290-30-SMA-02
- 91	M3933/25-91N	1.02 (26.0)	35	DC - 18.0	ATT-0290-35-SMA-02
- 92	M3933/25-92N	1.02 (26.0)	40	DC - 18.0	ATT-0290-40-SMA-02

**Notes:**

1. Midwest Microwave part number reflects a non-screened part. For a screened part, change suffix "N" to "S".
2. See Appendix for description of connector interface.