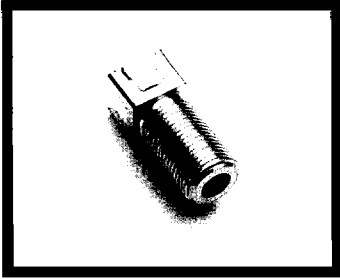
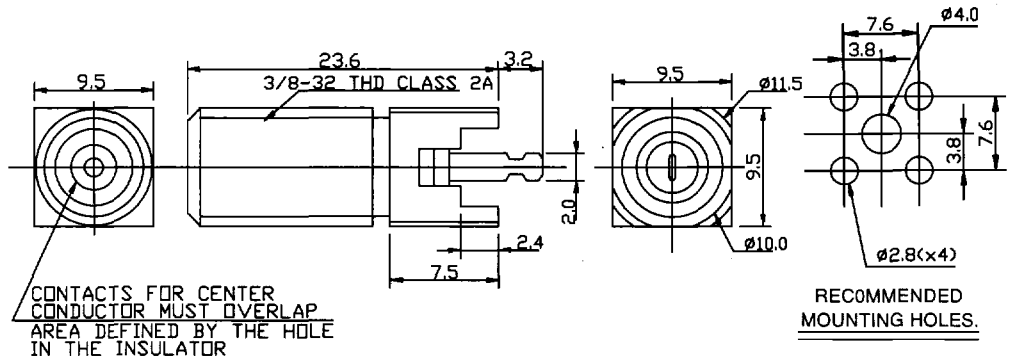


**STRAIGHT, RIGHT ANGLE; PRINTED CIRCUIT BOARD TYPE**

**SX-135-02**

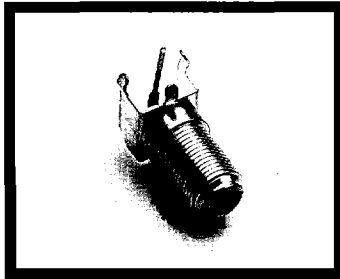


STRAIGHT PCB MOUNT JACK

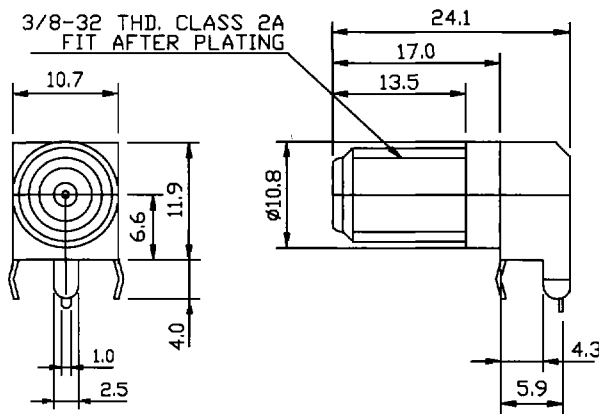


RECOMMENDED MOUNTING HOLES.

**SX-156C**

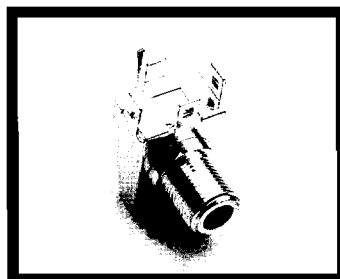


RIGHT ANGLE PCB MOUNT JACK

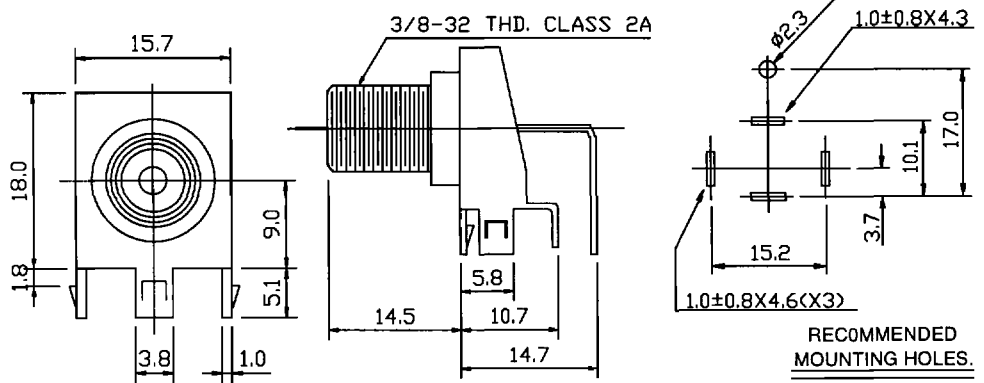


RECOMMENDED MOUNTING HOLES.

**SX-156D-3**

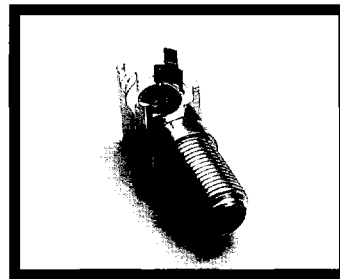


RIGHT ANGLE PCB MOUNT JACK

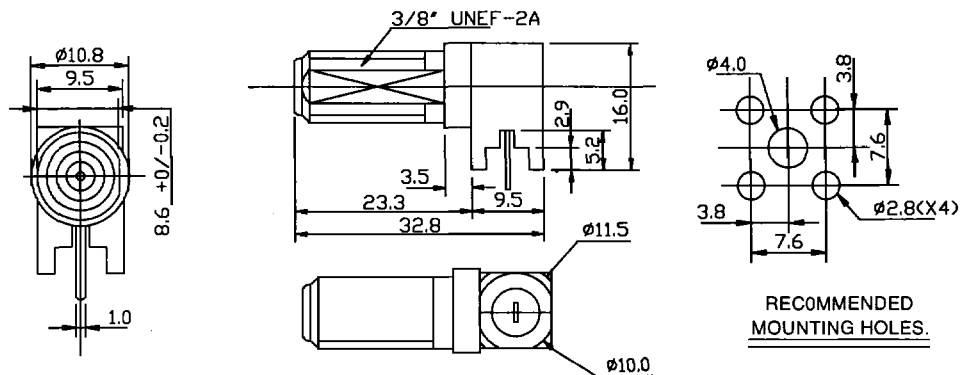


RECOMMENDED MOUNTING HOLES.

**SX-156G**



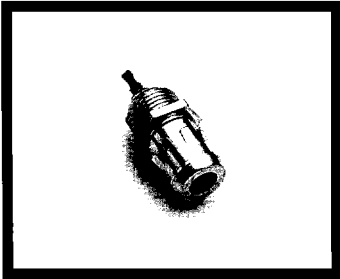
RIGHT ANGLE PCB MOUNT JACK



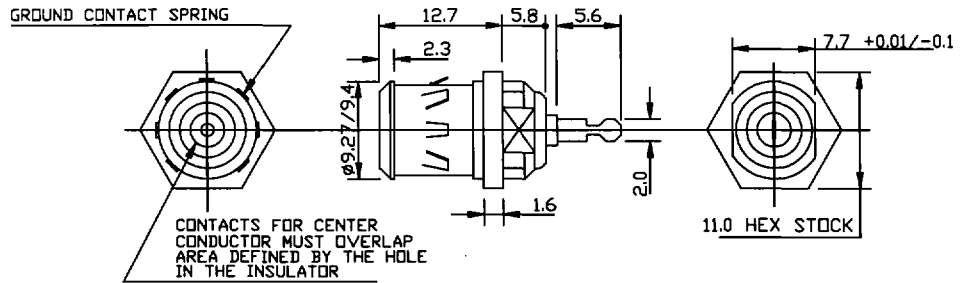
RECOMMENDED MOUNTING HOLES.

STRAIGHT ; QUICK, DOUBLE BULKHEAD, SQUARE SITTING, P. C. B. EDGE MOUNT TYPE

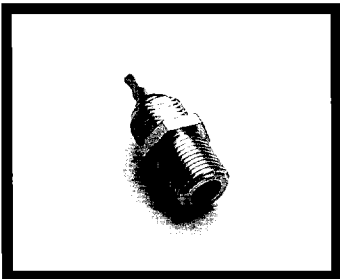
**SX-157H**



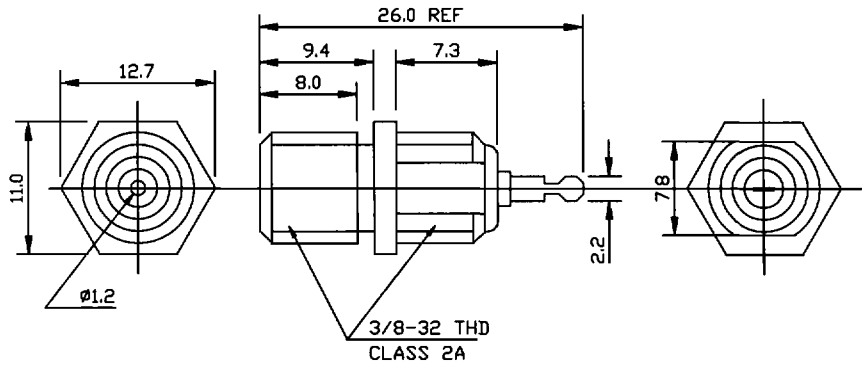
QUICK GROUND RECEPTACLE JACK



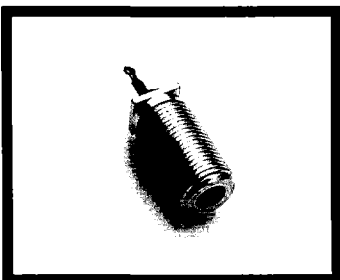
**SX-157F**



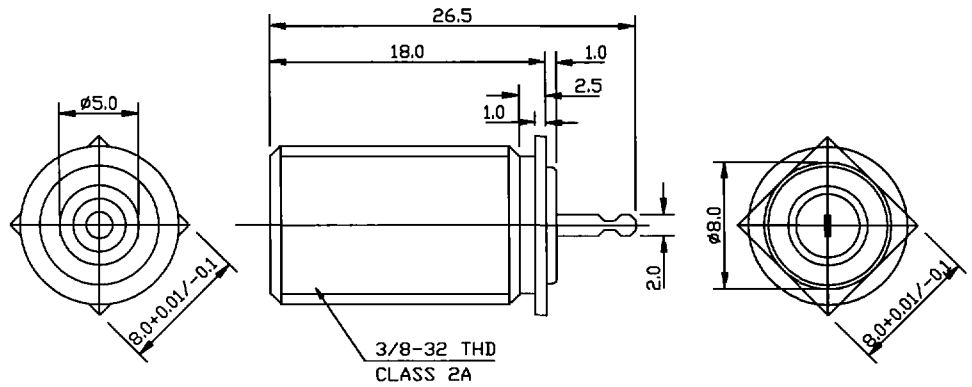
DOUBLE BULKHEAD RECEPTACLE JACK



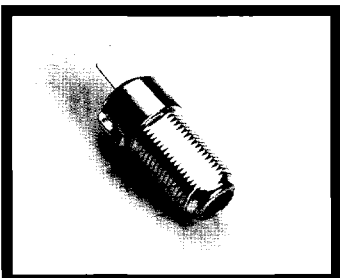
**SX-169C**



SQUARE SITTING MOUNT JACK



**SX-169D-01**



P. C. B. EDGE MOUNT JACK

