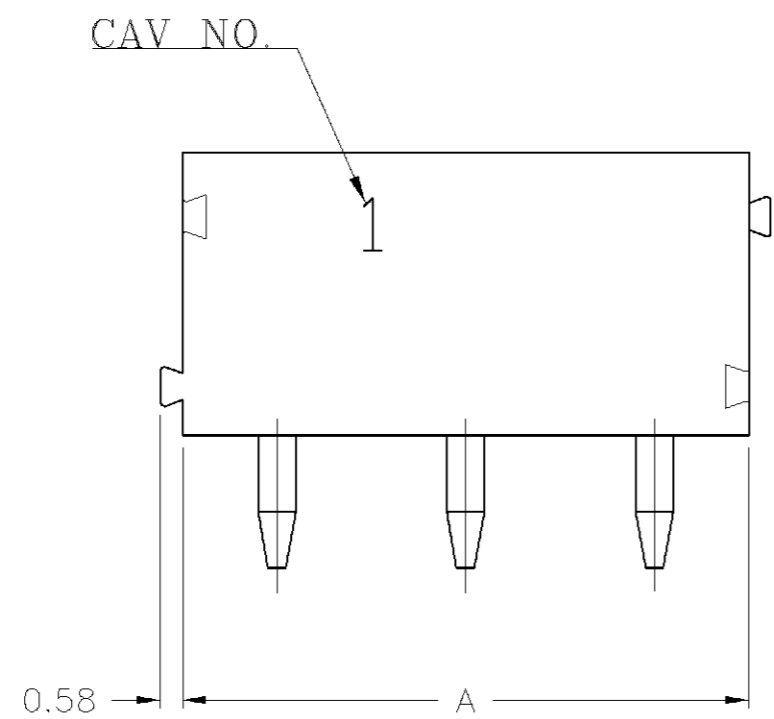
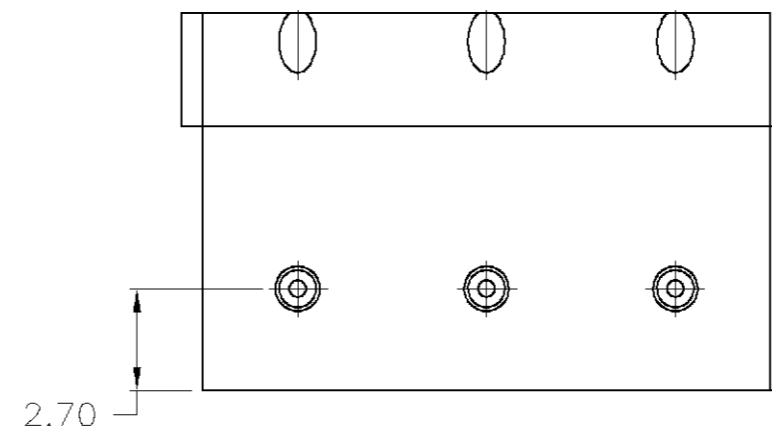
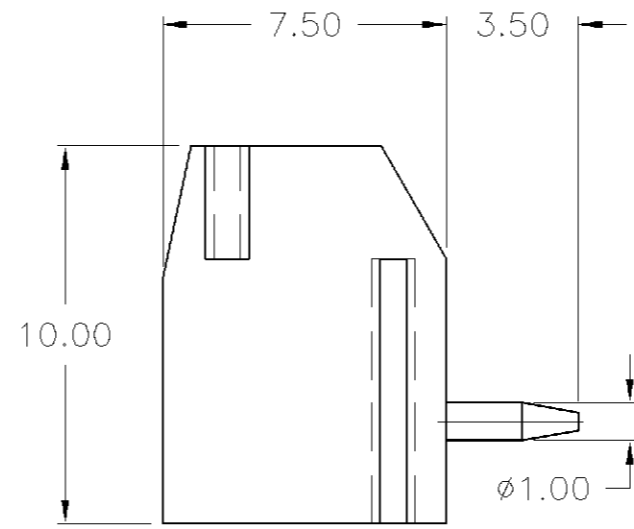
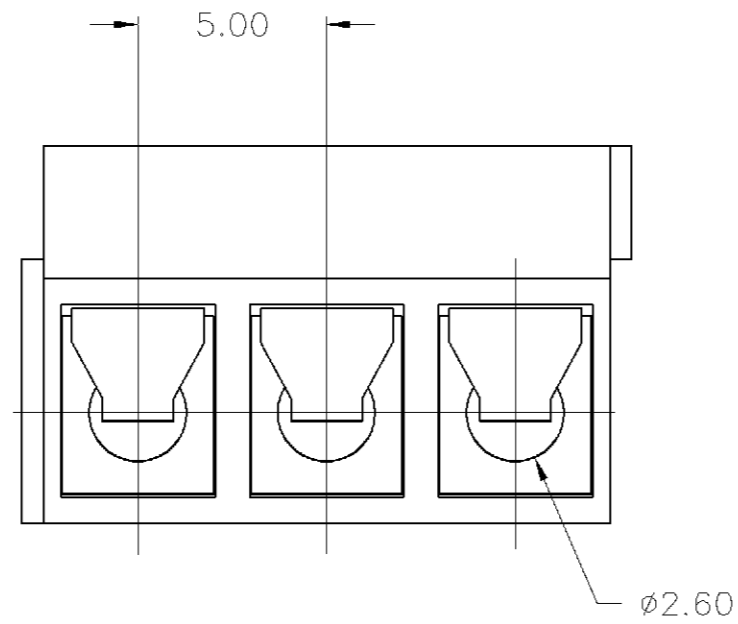
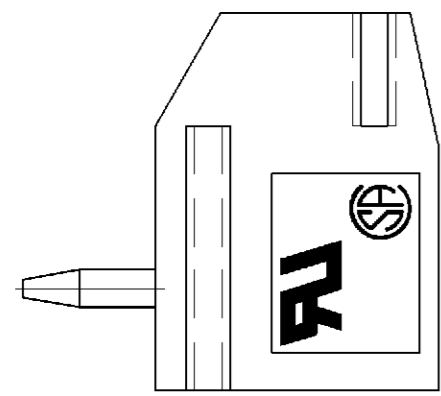
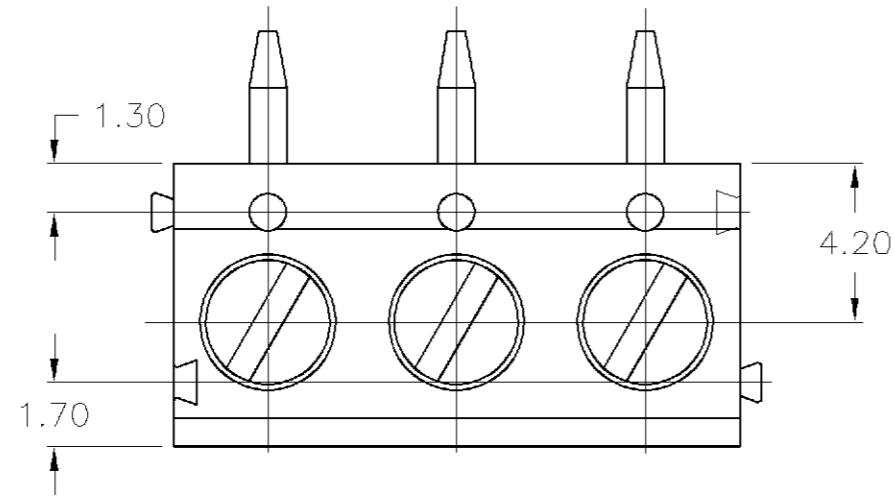


THIS DRAWING IS UNPUBLISHED. RELEASED FOR PUBLICATION
 © COPYRIGHT BY TYCO ELECTRONICS CORPORATION. ALL RIGHTS RESERVED.

| Loc | DIST | REVISIONS | | | | | |
|-----|------|-----------|-----|--------------------------|---------|-----|------|
| FT | 0 | P | LTR | DESCRIPTION | DATE | DWN | APVD |
| | | B | | REVISED PER 0G3B-0233-01 | 6/12/02 | SS | DAB |

NOTES:

1. ALL DIMENSIONS ARE IN MM.
2. RECOMMENDED PC-BOARD-HOLES DIAMETER: $\phi 1.20\text{mm}$ to 1.40mm .
3. BUCHANAN LOGO TO APPEAR ON HOUSING LOCATION OPTIONAL WHERE SPACE PERMITS.



796735-3 AS SHOWN

| 120.00 | 24 | 2-796735-4 |
|--------|-------------|-------------|
| 115.00 | 23 | 2-796735-3 |
| 110.00 | 22 | 2-796735-2 |
| 105.00 | 21 | 2-796735-1 |
| 100.00 | 20 | 2-796735-0 |
| 95.00 | 19 | 1-796735-9 |
| 90.00 | 18 | 1-796735-8 |
| 85.00 | 17 | 1-796735-7 |
| 80.00 | 16 | 1-796735-6 |
| 75.00 | 15 | 1-796735-5 |
| 70.00 | 14 | 1-796735-4 |
| 65.00 | 13 | 1-796735-3 |
| 60.00 | 12 | 1-796735-2 |
| 55.00 | 11 | 1-796735-1 |
| 50.00 | 10 | 1-796735-0 |
| 45.00 | 9 | 796735-9 |
| 40.00 | 8 | 796735-8 |
| 35.00 | 7 | 796735-7 |
| 30.00 | 6 | 796735-6 |
| 25.00 | 5 | 796735-5 |
| 20.00 | 4 | 796735-4 |
| 15.00 | 3 | 796735-3 |
| 10.00 | 2 | 796735-2 |
| DIM. A | NO. OF POS. | PART NUMBER |

| | | | | |
|--|--|---------------------------------|---|--------------------|
| THIS DRAWING IS A CONTROLLED DOCUMENT. | | DWN E. ZANOLINI 26JAN01 | Tyco Electronics Corporation Harrisburg, PA 17105 | |
| DIMENSIONS: MM | | CHK E. ZANOLINI 26JAN01 | BUCHANAN TERMINAL BLOCK PCB MOUNT TOP WIRE ENTRY, LOW PROFILE W/INTERLOCK, 5.0mm PITCH (LT) | |
| TOLERANCES UNLESS OTHERWISE SPECIFIED: | | APVD D. BIEVENOUR 26JAN01 | | |
| 0 PLC ± - 1 PLC ± 0.3 2 PLC ± 0.25 3 PLC ± - 4 PLC ± - ANGLES ± - | | PRODUCT SPEC - | SIZE A2 | CAGE CODE 00779 |
| MATERIAL | | APPLICATION SPEC - | DRAWING NO. C=796735 | RESTRICTED TO - |
| FINISH | | WEIGHT - | SCALE 5:1 SHEET 1 OF 2 REV B | |
| | | CUSTOMER DRAWING | | |

THIS DRAWING IS UNPUBLISHED. RELEASED FOR PUBLICATION
 © COPYRIGHT - BY TYCO ELECTRONICS CORPORATION. ALL RIGHTS RESERVED.

| LOC | DIST | REVISIONS | | | |
|-----|------|-------------|-------------|-----|------|
| P | LTR | DESCRIPTION | DATE | DWN | APVD |
| FT | 0 | B | SEE SHEET 1 | - | - |

1. Application and Features:

- 1-1. Standard sizes are 2 and 3 way-blocks, but every number of contact can be combined, by simply plugging them together and can be ordered as required**
- 1-2. With wire guard for wire protection (for that the screw doesn't press directly on the wire)

2-3. Mechanical:

- 2-3-1. Torque: 4 Kg.cm (Max).
- 2-3-2. Operating temperature: -55°C to +105°C.
- 2-3-3. Solderability: 95% coverage (min).

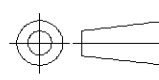
2. Technical Data:

2-1. Material:

- 2-1-1. HOUSING: NY-FR15 UL 94 V-0 (Green).
- 2-1-2. Metal Housing: Brass(Cu Zn)
Cu,Tin plated.
- 2-1-3. Wire guard: Stainless steel.
- 2-1-4. Screw: Steel galvanized and chromitized, M2.6

2-2. Electrical:

- 2-2-1. Current rating: 10 Amps/way max.
- 2-2-2. Contact resistance: 20mΩ (Max).
- 2-2-3. Insulation resistance: 5000MΩ /1000V.
- 2-2-4. Withstanding Voltage: 1500VAC (1min).
test time =60sec/1pcs
- 2-2-5. Operation Voltage: 300 VAC.
- 2-2-6. Wire Range: 14-22 AWG.

| | | | | | |
|---|--|---------------------------------|--|------------|---------------|
| THIS DRAWING IS A CONTROLLED DOCUMENT. | | DWN E. ZANOLINI 26JAN01 | BUCHANAN Tyco Electronics Corporation Harrisburg, PA 17105-3608 | | |
| DIMENSIONS: MM | | CHK E. ZANOLINI 26JAN01 | | | |
|  | | APVD D. BIEVENOUR 26JAN01 | NAME TERMINAL BLOCK PCB MOUNT TOP WIRE ENTRY, LOW PROFILE W/INTERLOCK, 5.0mm PITCH (LT) | | |
| TOLERANCES UNLESS OTHERWISE SPECIFIED: | | PRODUCT SPEC | SIZE | | |
| 0 PLC ± - | | APPLICATION SPEC | CAGE CODE | DRAWING NO | RESTRICTED TO |
| 1 PLC ± - | | WEIGHT | A3 | 00779 | C-796735 |
| 2 PLC ± - | | CUSTOMER DRAWING | SCALE | SHEET | REV |
| 3 PLC ± - | | | 1:1 | 2 OF 2 | B |
| 4 PLC ± - | | | | | |
| ANGLES ± - | | | | | |
| MATERIAL | | | | | |
| FINISH | | | | | |