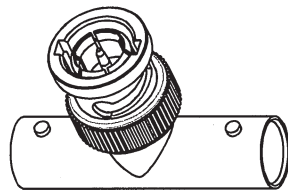
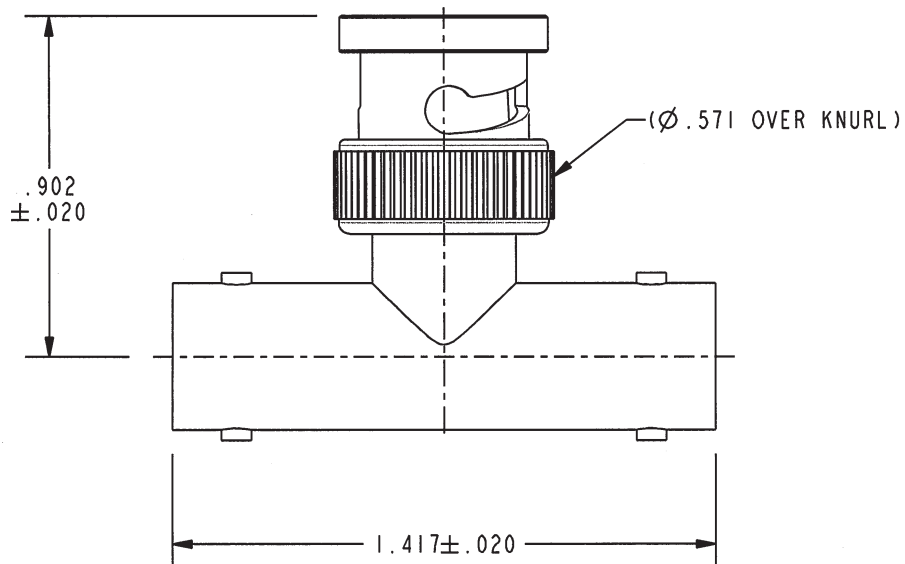


MODEL NUMBER	IMPEDANCE
BN23	50 Ω
UBN23	75 Ω



SCALE 1/1



BN23 SHOWN

2. FINISH: HOUSING, TFS-1A (NICKEL)
CONTACTS, TFS-1B (GOLD)

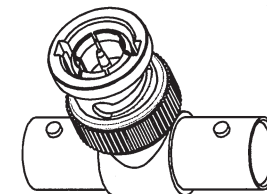
1. 50 Ω AND 75 Ω BNC "T" ADAPTER
JACK-TO-PLUG-TO-JACK

NOTES: UNLESS OTHERWISE SPECIFIED.

DATA CONTAINED IN THIS DOCUMENT IS
PROPRIETARY TO TROMPETER ELECTRONICS INC.
AND SHALL NOT BE DISCLOSED, COPIED OR USED
FOR PROCUREMENT OR MANUFACTURE WITHOUT
EXPRESS WRITTEN PERMISSION.

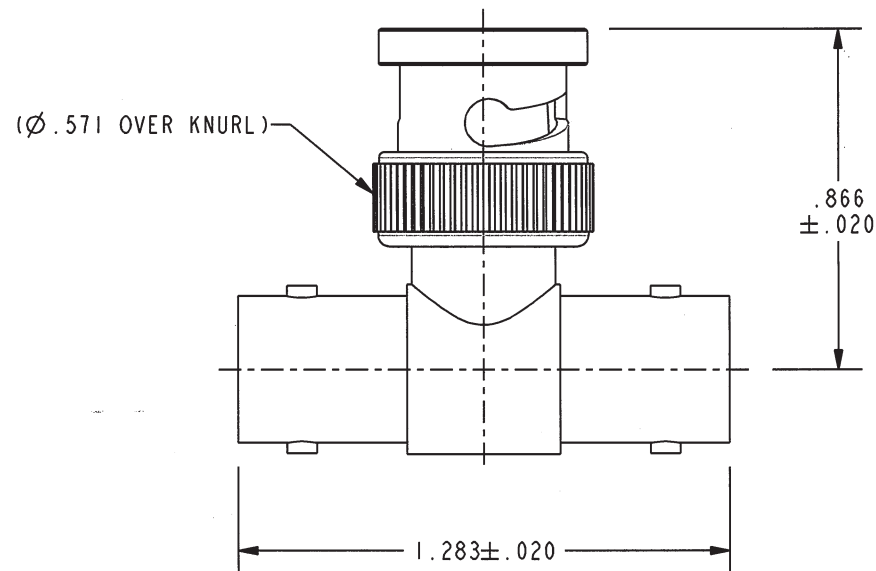
REVISIONS

REV	DESCRIPTIONS	DATE	APPROVED
C	REVISED PER ECO 16865	6/15/09	Wave



SCALE 1/1

RED INDICATES ORIGINAL



UBN23 SHOWN

INTERPRET DRAWING PER
MIL-STD-100.
DIMENSIONS ARE IN INCHES
AND INCLUDE FINISH
THICKNESS
UNLESS OTHERWISE SPECIFIED.

TOL: UNLESS SPECIFIED.
.XX ± .02
.XXX ± .010
ANGLE ± 1°



DRN N JOHNSON 2-26-09

MATERIAL:

TITLE:

CHK *Zm* 6/12/09

QUALITY

FINISH:

BN23/UBN23

APPROVED *Zm* 6/12/09

PROJ/ FILE NO.
1-0555

DO NOT SCALE DWG

SIZE A	CAGE CODE 14949	DRAWING NO. 1-0555	REV. C
------------------	---------------------------	-----------------------	-----------

NEXT ASSY

SCALE
2/1

DATE
2-7-97

SHEET
1C