



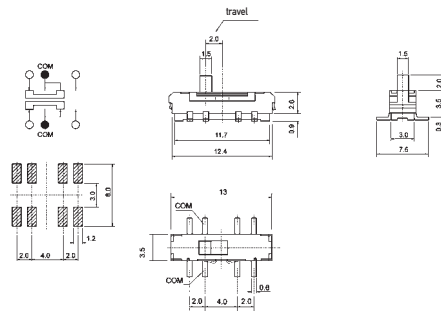
Microminiature Slide Switches for SMT

Specifications:

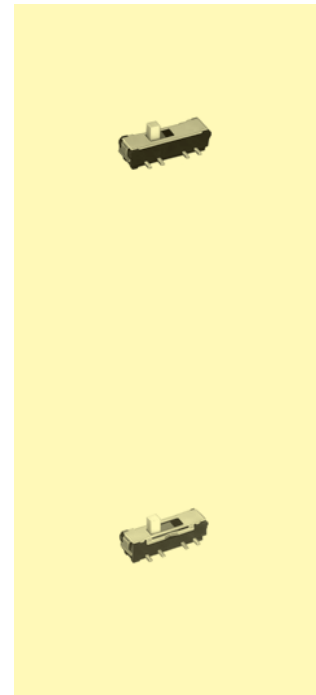
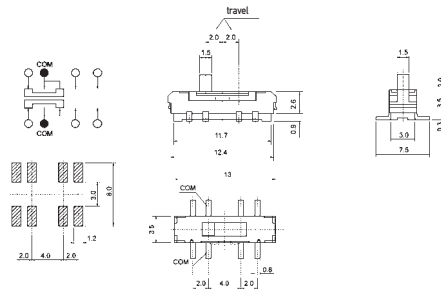
Contact rating:	12 V DC, 200 mA / 6 V DC, 300 mA
Contact resistance:	< 70 m Ω
Insulation resistance:	> 100 M Ω at 500 V DC
Dielectric strength:	500 V, 50 Hz for the duration of 1 minute
Operating temperature:	- 10° to + 60° C
Mechanical life:	minimum 10 000 operations
Contacts/Terminals:	copper alloy, silver-plated
Contact timing:	non-shorting
Slide colour:	white

Models: Switching functions

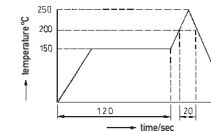
MMS 228 T on on



MMS 238 T on on on



Soldering conditions: reflow-soldering – max.: 20 sec, 200° C
peak temperature: 250° C



Packing: on tapes, 900 pieces / tape

