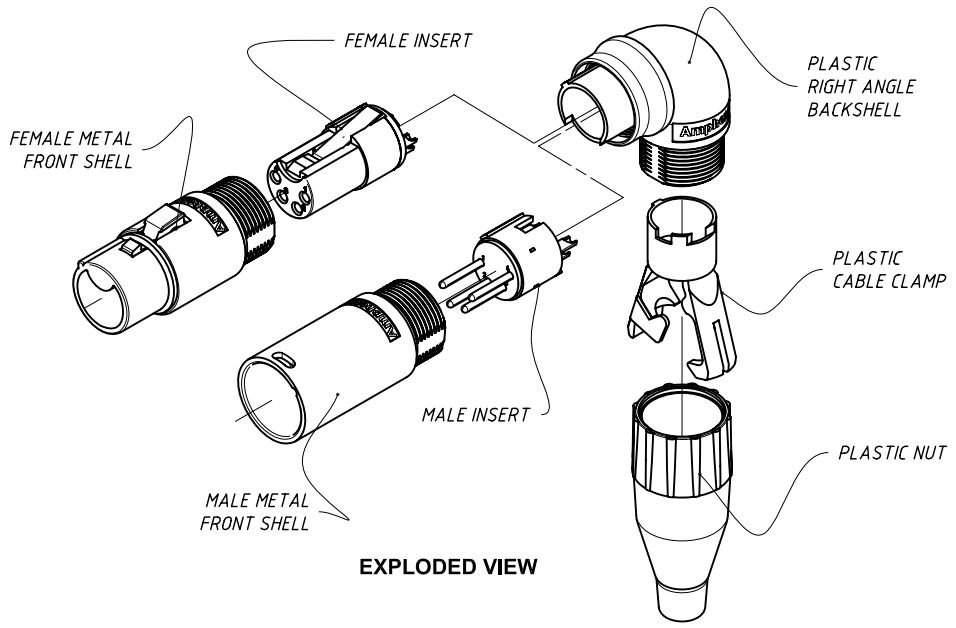


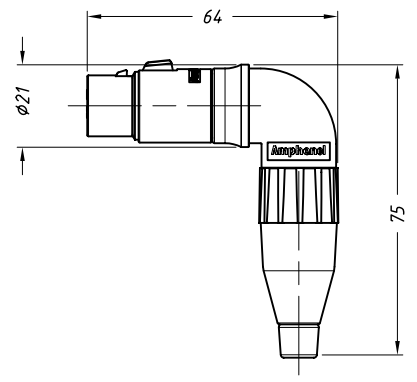
1 2 3 4 5 6

A  
B  
C  
D  
E  
F

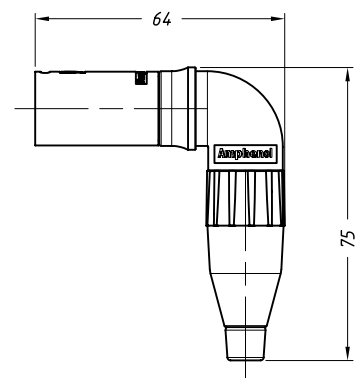
A  
B  
C  
D  
E  
F



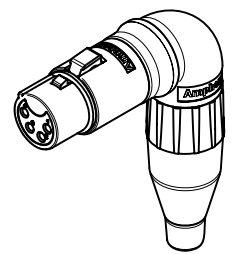
**EXPLODED VIEW**



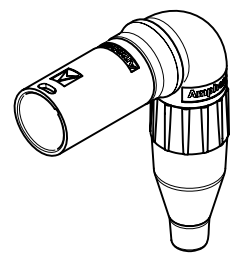
**OVERALL DIMENSION  
FEMALE CONNECTOR**



**OVERALL DIMENSION  
MALE CONNECTOR**

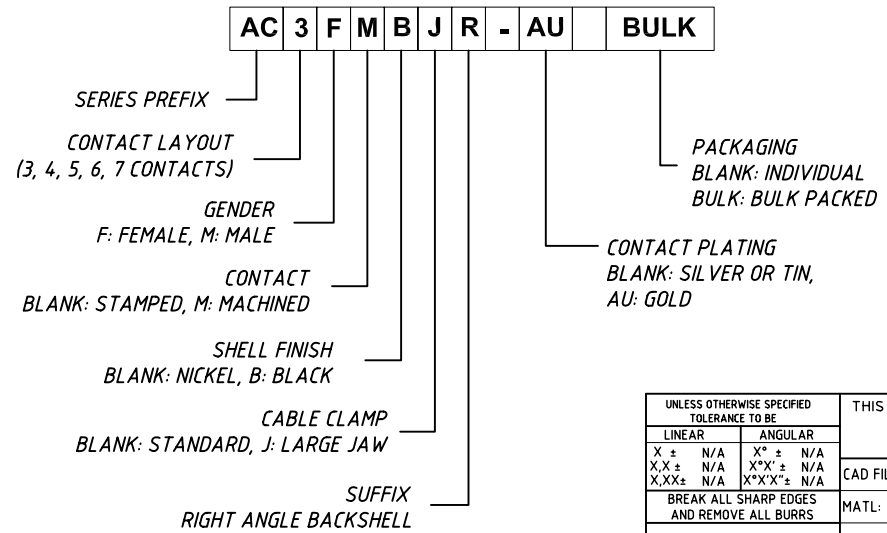


**3D VIEW  
FEMALE CONNECTOR**



**3D VIEW  
MALE CONNECTOR**

**PART NUMBER BREAKDOWN**



UNLESS OTHERWISE SPECIFIED TOLERANCE TO BE		THIS DOCUMENT IS THE PROPERTY OF AMPHENOL AUSTRALIA PTY. LTD.. NO PART THEREOF MAY BE REPRODUCED AND USED WITHOUT THE PRIOR WRITTEN CONSENT OF THE OWNER			0	FIRST ISSUE	T.N					
LINEAR	ANGULAR				X ± N/A	X° ± N/A	X.X ± N/A	X°X' ± N/A	X.XX ± N/A	X°X'X" ± N/A	REV.	CHANGE DETAILS
		CAD FILE: 55010508000110			DRN: T.N	DATE: 10/10/07	<b>RIGHT ANGLE AC SERIES METAL CONNECTOR</b>		<b>Amphenol</b>			
		MATERIAL: _____			CKD: P.M	DATE: _____			Amphenol Australia Pty.Ltd, 2 Fiveways Blvd, Keysborough, Vic3173		DRAWING NO.	
		DO NOT SCALE			FINISH: _____	APP'D: P.M	DATE: _____	<b>SEE DETAIL</b>		SIZE: A4	55010508-000-1 1 OF 1	
		DIMENSIONS IN MILLIMETRES			THIRD ANGLE PROJECTION	SCALE: NTS	PART No:					

1 2 3 4 5 6