



Commercial CCS-18

High Power DC-8 GHz Multi - Throw Switch

SP7T and SP8T versions only

Normally Open

The CCS-18 Switch is a broadband multi-position coaxial switch designed to switch RF signals from one input port to any one of 3 through 8 output ports. It is readily adapted to any 50 Ohms transmission line system. The standard actuator gives individual solenoid control of each position and when de-energized, all positions are open. Standard actuator voltage is 28 VDC. The primary advantage of this switch over the miniature versions shown on previous pages is the higher power handling capability.

Specifications

RF Contacts: Break before make

Actuator	Voltage (VDC) 20°C	12	15	28
	Current (mA)	600	480	270

SP3T to SP6T version available. See additional datasheets

Switching Time: 20 msec max

Connectors: SMA (f), TNC(f), N Type (f)

Weight: 14 oz. max (8 Position)

Temperature Range: -40°C to +65°C (Operating)

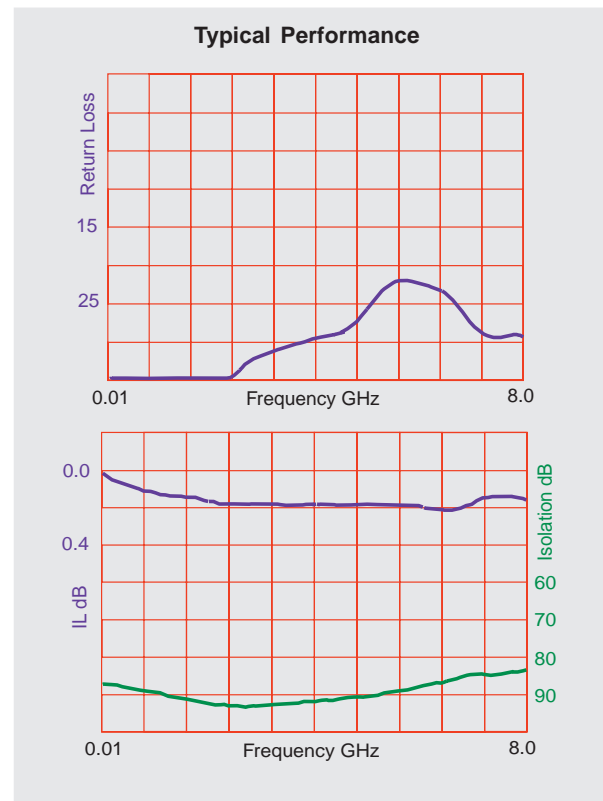
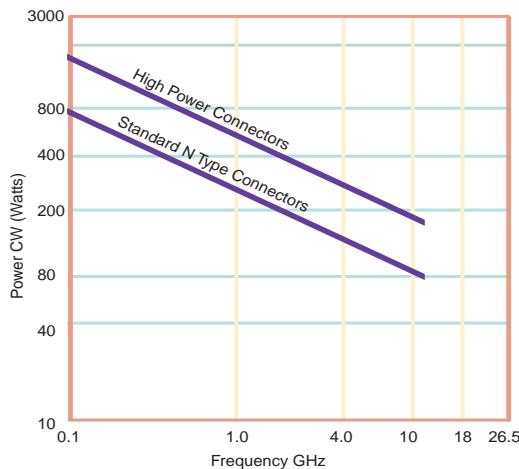
Shock: MIL-STD-202 Method 213, Condition D (500G Non Operating)

Vibration: MIL-STD-202 Method 214, Condition D (10G RMS Non Operating)

Humidity: Moisture Seal Available

Typical Contact Life: 5 Million Cycles

RF Power Handling



Specifications

	DC-1 GHz	1-4 GHz	4-8 GHz
VSWR (max)	1.25:1	1.40:1	1.70:1
Insertion Loss (max)	0.30 dB	0.40 dB	0.50 dB
Isolation (min)	70.0 dB	60.0 dB	60.0 dB



Specifications subject to change without notice.

www.teledynecoax.com
email: coax@teledyne.com

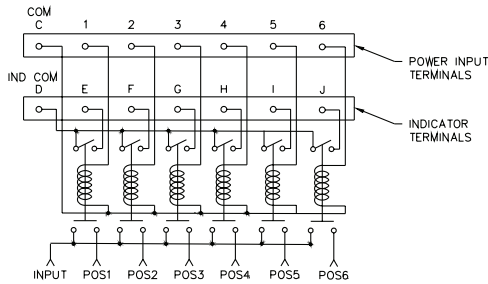
Tel: (800) 351-7368
10/2007

Commercial CCS-18

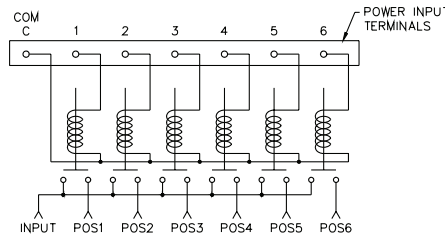
High Power DC-8 GHz Multi - Throw Switch

SP7T and SP8T versions only

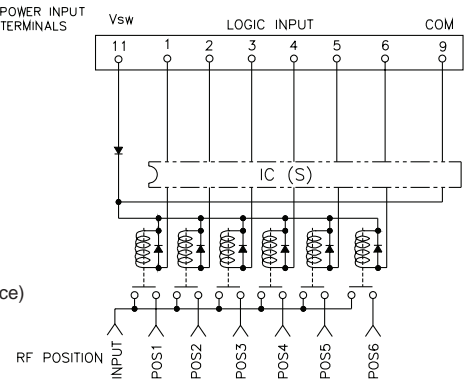
Normally Open



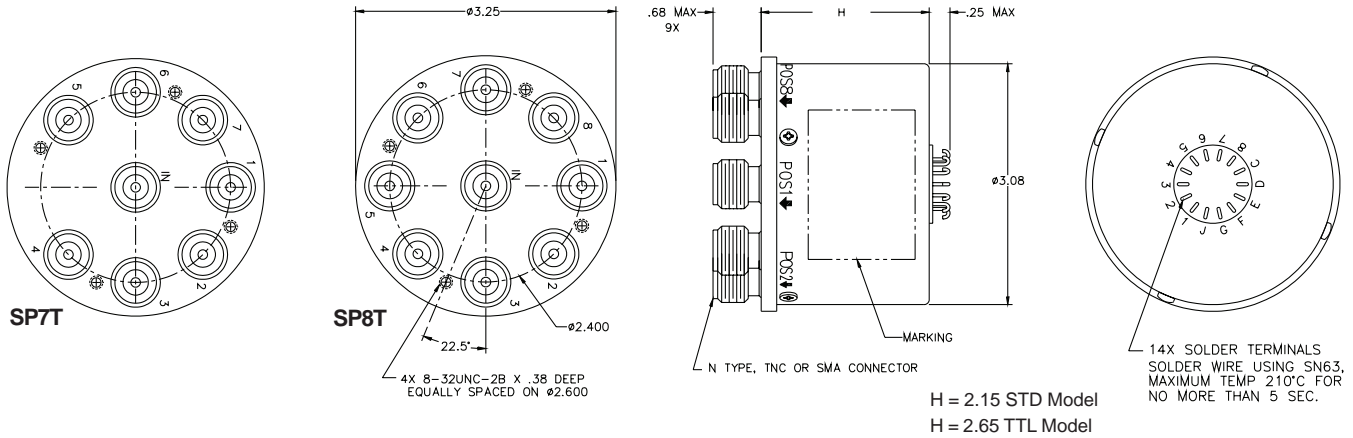
Indicator
(Number of ports reduced for convenience)



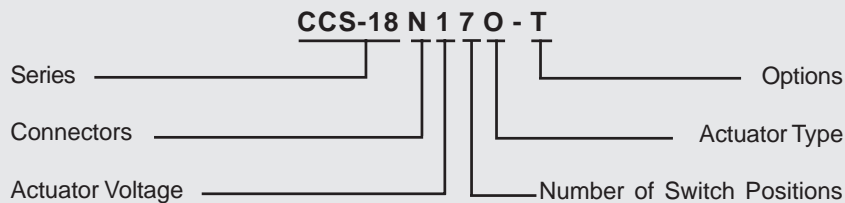
Analog
(Number of ports reduced for convenience)



TTL
(Number of ports reduced for convenience)



Part Numbering System for CCS-18 (Normally Open)



Connector	Actuator Voltage
S: SMA Female	1: 28Vdc Normally Open
N: N type Female	2: 15Vdc Normally Open
T: TNC Female	3: 12Vdc Normally Open

Number of Positions	Actuator Type
7: SP7T	O: No Indicator Contacts
8: SP8T	C: Indicator Contacts

Options
T: TTL Drivers with Diodes
R: Positive + Common
TD: TTL Driver with Decoder

For other options contact Factory

For SP3T to SP6T see additional datasheet



Specifications subject to change without notice.

www.teledynecoax.com
email: coax@teledyne.com

Tel: (800) 351-7368
10/2007