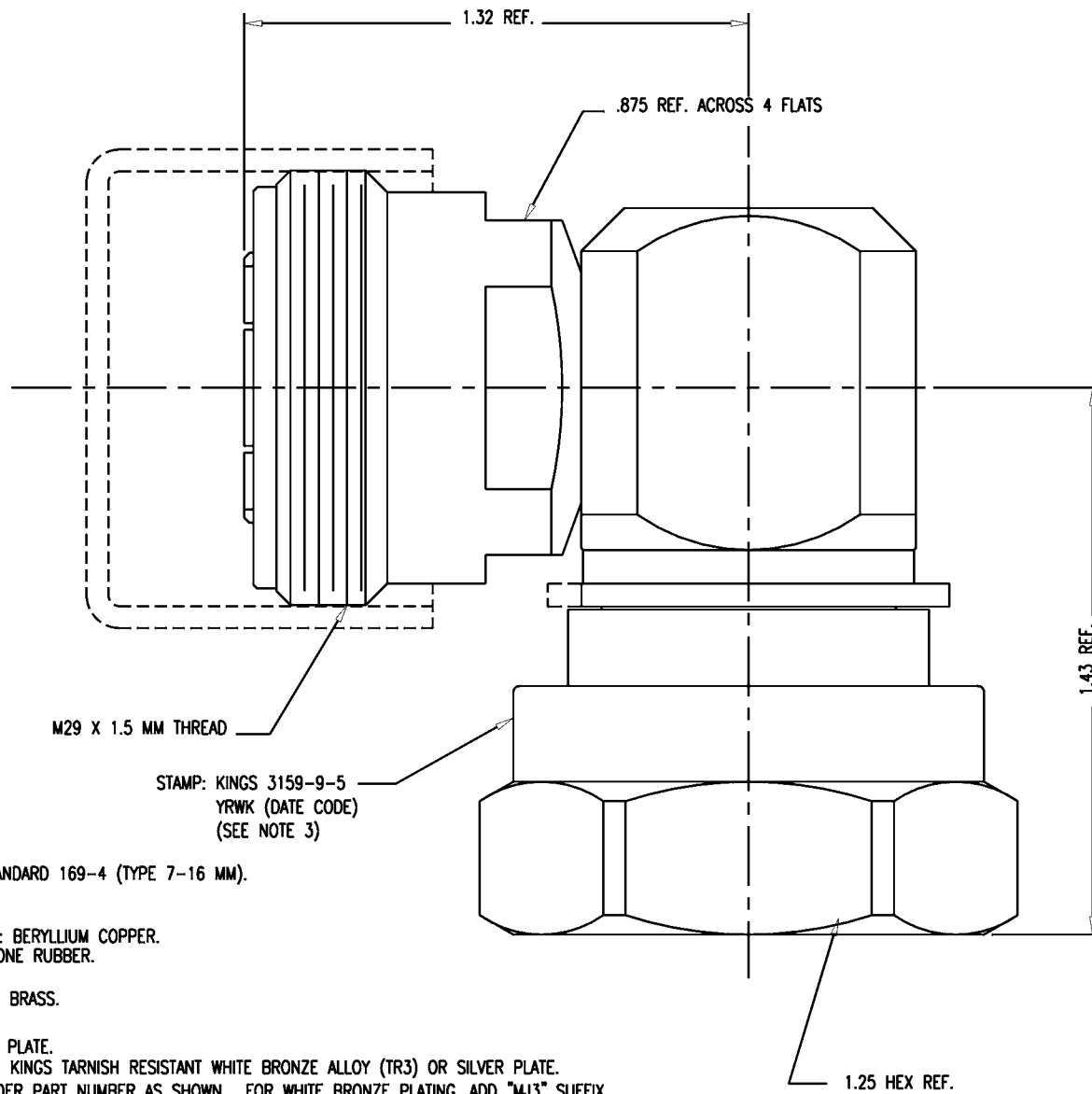


SD

REVISIONS

ISSUE	CHANGES
0	ER 38383 HVN 08/15/01
1	CN 38437 E TML 12/06/01

3159-9-5



NOTES:

- INTERFACES PER, IEC STANDARD 169-4 (TYPE 7-16 MM).
- MATERIALS:
CAP PROTECTIVE: VINYL
FEMALE CENTER CONTACT: BERYLLIUM COPPER.
O RING & GASKET: SILICONE RUBBER.
INSULATOR: TEFLON.
ALL OTHER METAL PARTS: BRASS.
- FINISHES:
CENTER CONTACT: SILVER PLATE.
ALL OTHER METAL PARTS: KINGS TARNISH RESISTANT WHITE BRONZE ALLOY (TR3) OR SILVER PLATE.
FOR SILVER PLATING, ORDER PART NUMBER AS SHOWN. FOR WHITE BRONZE PLATING, ADD "MJ3" SUFFIX TO THE PART NUMBER SHOWN, FOR EXAMPLE 3159-9-5 MJ3.
- ELECTRICAL CHARACTERISTICS:
NOMINAL IMPEDANCE: 50 OHMS.
FREQUENCY RANGE: DC TO 6.0 GHz.
OPERATING VOLTAGE: 2700 VRMS.

3159-9-5S

SCALE 3:1

APPROX SURFACE AREA

WAS: E-19863

USED ON

REF:

ADAPTER, ANG, 7-16 (M-F)

DRAWN HVN DATE 03/27/01

DESIGN LJ DATE 12/14/00

APPR. DATE

KINGS
ELECTRONICS CO., INC.
ROCK HILL, SOUTH CAROLINA 29730

3159-9-5

SD