

NOTES:

1. MATERIALS:

TIP AND BODY: BRASS, NICKEL PLATED

CLAMP: BRASS, TIN PLATED

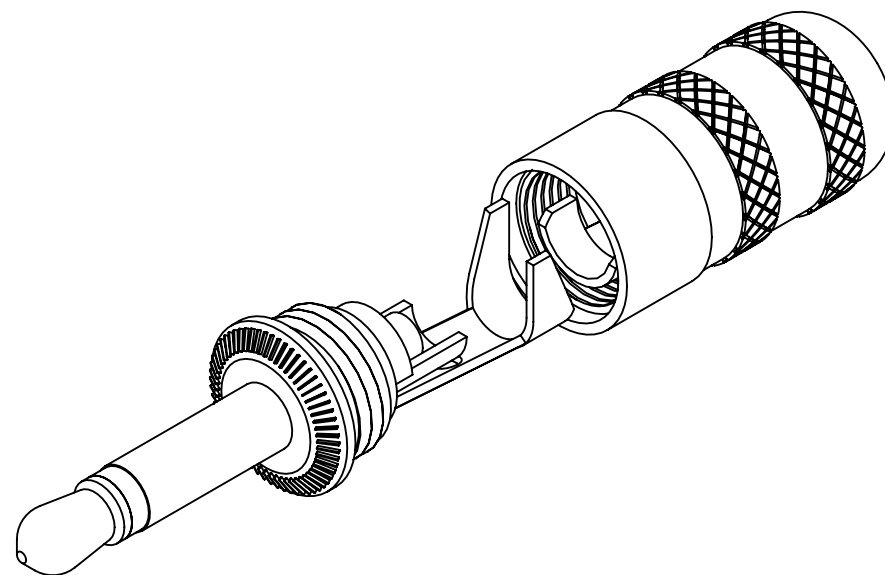
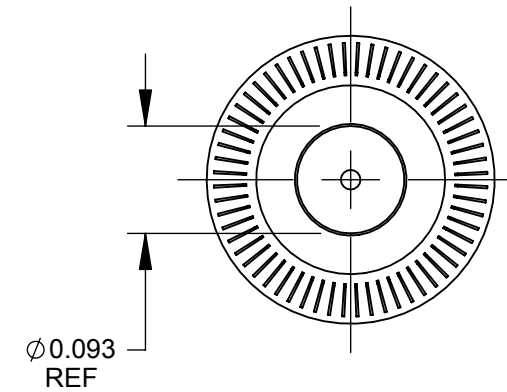
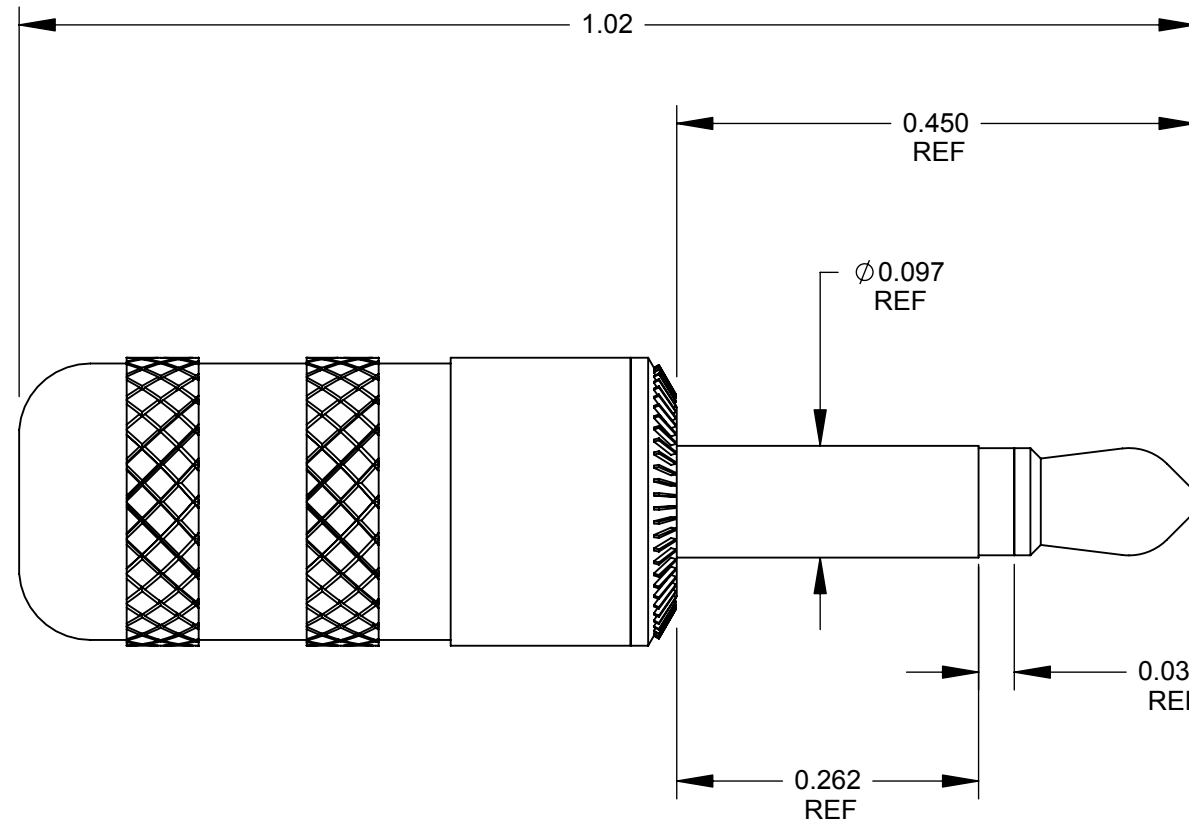
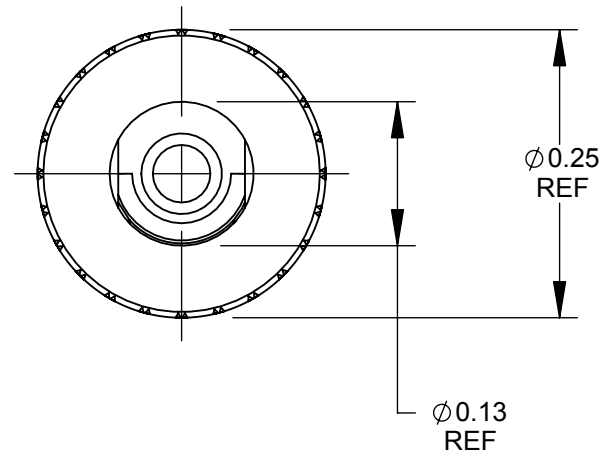
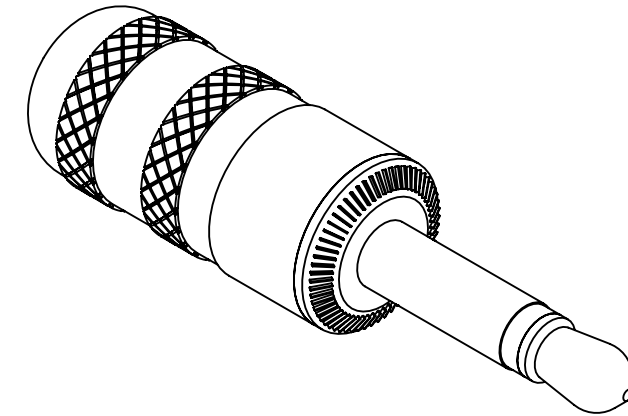
INSULATION: MOLDED THERMOPLASTIC

HANDLE: ANODIZED ALUMINUM

2. ALL DIMENSIONS ARE FOR REFERENCE. UNLESS OTHERWISE SPECIFIED.

3. THIS PRODUCT IS RoHS COMPLIANT.

PART NUMBER	HANDLE COLOR
850X	BLACK
855X	RED
880X	NATURAL (SILVER)



CUSTOMER DRAWING

THIS DRAWING DESCRIBES A DESIGN CONSIDERED PROPRIETARY IN NATURE, DEVELOPED AND MANUFACTURED BY SWITCHCRAFT INC. AND IS RELEASED ON A CONFIDENTIAL BASIS FOR IDENTIFICATION PURPOSES ONLY.

UNLESS OTHERWISE SPECIFIED

- 1. ALL DIMENSIONS IN INCHES
- TWO PLACE DECIMALS ±0.02
- THREE PLACE DECIMALS ±0.005

SIZE *	WIDTH *	MULT *	LBS/M *	TEMPER *
FINISH *			MATERIAL *	
SPEC No. *			SPEC No. *	
FIRST USED ON *		SCALE 6:1		
DATE DRAWN	BY	CHKD	APVD	
01-23-08	AH	AH	TJK	
		01-23-08	01-23-08	
NAME			PART No.	REV
2 CONDUCTOR			850X, 855X, 880X	A
MICRO PLUG ASSEMBLY, RoHS				

REV	ECO NUMBER	DATE	BY	APVD
A	26062	06-28-06	AH	TJK
REVISIONS				

DO NOT SCALE DRAWING

SolidWorks CAD File **B**

Switchcraft®

SHEET 1 OF 1