

SAP-4 Series
Single-Mode
FC ϕ 0.9mm HOUSING

TECHNICAL SPECIFICATIONS

Seiko Instruments Inc.

Components Sales Dept.

8, Nakase 1-Chome

Mihama-ku, Chiba-shi, Chiba-ken

261 JAPAN

Telephone : 043-211-1214

-1215

Facsimile : 043-211-8035

SAP-4 Series Single-Mode FC ϕ 0.9mm HOUSING
TECHNICAL SPECIFICATIONS

Document Number NCD-5DB4-01

NAE69D02 " SAP-4 Part "
NCD-5DB4-01

September 1986
December 1995

Copyright 1986, 1995 by **Seiko Instruments Inc.**
All right reserved.

The information contained herein shall not reproduced or disclosed to any third party without the express written consent of **SII**.

The Specifications contained herein are subject to change without notice.

SII is a trademark of **Seiko Instruments Inc.**

Please address any questions, comments, and suggestions to:

Seiko Instruments USA Inc.

Electronics Components Division
2990 West Lomita Boulevard
Torrance, CA 90505, U.S.A.
Phone: 310-517-7780
Fax: 310-517-7792

Seiko Instruments (H.K.) Ltd.

Sales Department
4th & 5th Floor, Wyler Center 2
200 Tai Lin Pai Road, Kwai Chung
N.T., Kowloon, Hong Kong
Phone: 852-2421-8611
Fax: 852-2480-5479

Seiko Instruments Singapore pte. Ltd.

2, Marsiling Lane,
Woodlands New Town,
Singapore, 2573, Singapore
Phone: 65-2691370
Fax: 65-2699729

Seiko Instruments GmbH

OFC Division
Siemensstraße 9b
D-63263 Neu-Isenburg, Germany
Phone: 06102-297-0
Fax: 06102-297-211

Seiko Instruments Taiwan Inc.

Sales Department
5F-1, No.99, Sec. 2, Chung Shan
Rd.
Taipei 104, Taiwan, R.O.C.
Phone: 02-563-5001, 523-5111
Fax: 02-521-9519

TABLE OF CONTENTS

| Section | Page |
|---------------------------|------|
| 1. PROVISION | 1 |
| 1.1 Application Limit | 1 |
| 2. PARTS NUMBER | 1 |
| 3. GENERAL SPECIFICATIONS | 2 |
| 3.1 Parts and Materials | 2 |
| 3.2 Physical Dimensions | 2 |
| 3.3 General Tolerances | 2 |
| 4. PACKING | 3 |

Table

| | | |
|---------|---------------------|---|
| Table 1 | Parts Number | 1 |
| Table 2 | Parts and Materials | 2 |
| Table 3 | General Tolerance | 2 |

Figure

| | | |
|---------------|-----------------|--------|
| Figure 1 | SAP-4 Housing | 4 |
| Figure 2 to 7 | Part Dimensions | 5 to 7 |

1. PROVISION

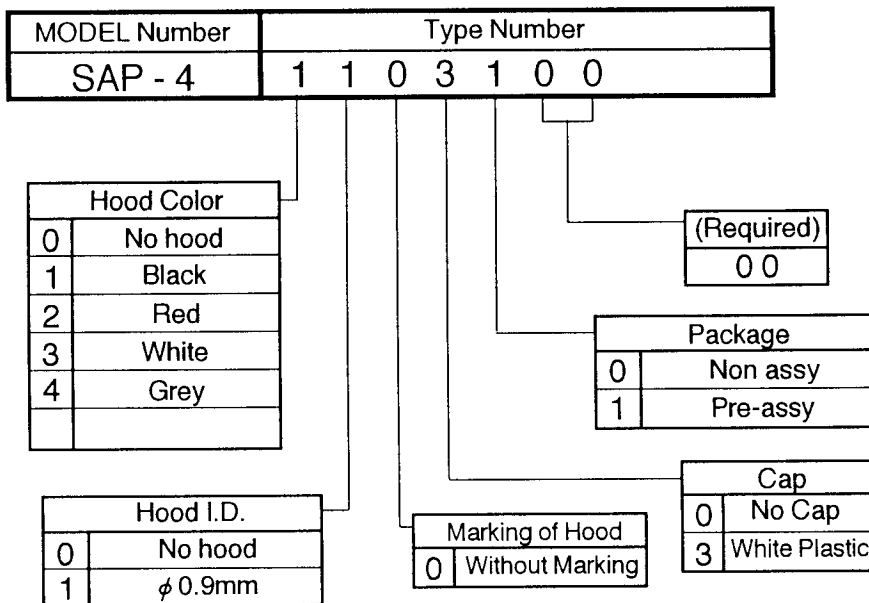
1.1 Application Limit

These specifications apply to the SAP-4 Single-Mode FC ϕ 0.9mm HOUSING supplied by SII.

2. PARTS NUMBER

Parts Number of the Housing is Shown in Table 1.

Table 1 Parts Number



3. GENERAL SPECIFICATIONS

3.1 Parts and Materials

Parts and the Materials are shown in Table 2.

Table 2 Parts and Materials

| No. | Part Name | Q'ty | Material | Notes |
|-----|--------------|------|------------------|--------------------------|
| ① | Frame | 1 | Stainless Steel | - - |
| ② | Keyring | 1 | Beryllium Copper | - - |
| ③ | Spring | 1 | Stainless Steel | - - |
| ④ | Coupling nut | 1 | Brass | Nickel Plating |
| ⑤ | Stopper | - | - - | (⑤-a,b,c) |
| ⑤-a | Stopper body | 1 | Brass | Nickel Plating |
| ⑤-b | Spacer | 1 | Brass | Nickel Plating |
| ⑤-c | Hood | (1) | Synthetic Rubber | Hood Color Shows Table 1 |
| ⑥ | Cap | (1) | Plastics | White |

3.2 Physical Dimensions

Figure 1 shows the assembled state of SAP-4.

Figure 2 to 7 show the part dimension.

- In accordance with JIS C5970 F01 type connectors

3.3 General Tolerances

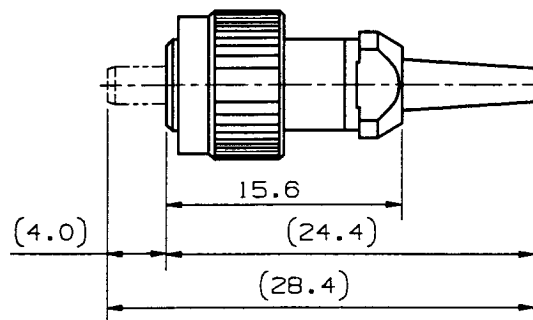
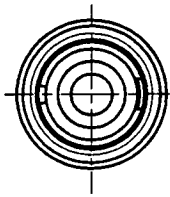
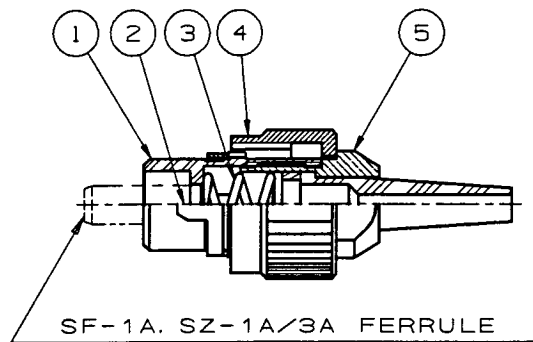
Permissible deviation in dimensions without tolerance indication is in accordance with JIS B 0405 class m, as shown in Table 3.

Table 3 General Tolerance (JIS B 0405 class m)

| Basic size step (mm) | | Permissible deviation (mm) |
|----------------------|-------|----------------------------|
| Over | Under | |
| 0.5 | 3 | ± 0.1 |
| 3 | 6 | ± 0.1 |
| 6 | 30 | ± 0.2 |
| 30 | 120 | ± 0.3 |

4. PACKING

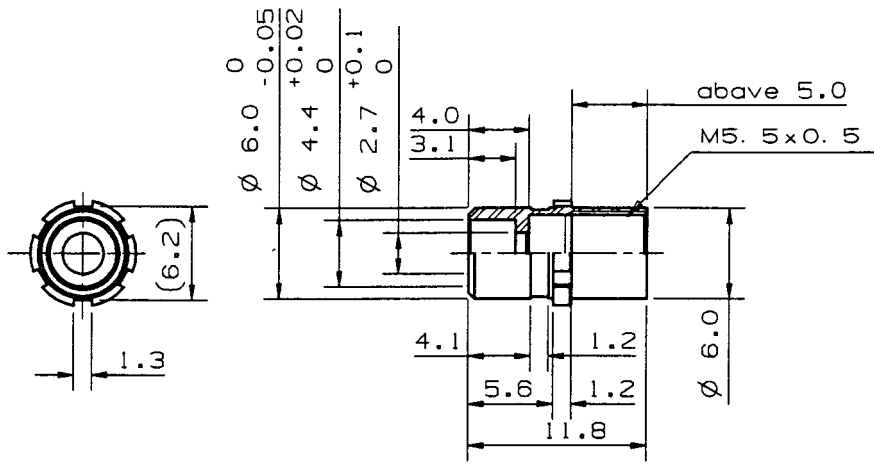
The product is packed to prevent damage during shipment.



note.1: This drawing does not include Caps.

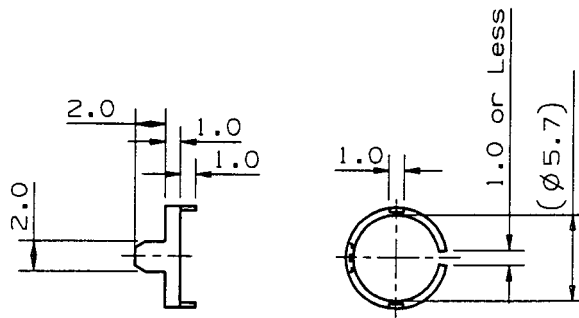
Unit: mm

Figure 1 SAP-4 HOUSING



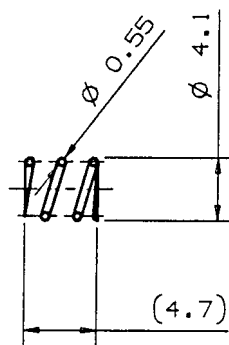
Unit: mm

Figure 2 ① Frame



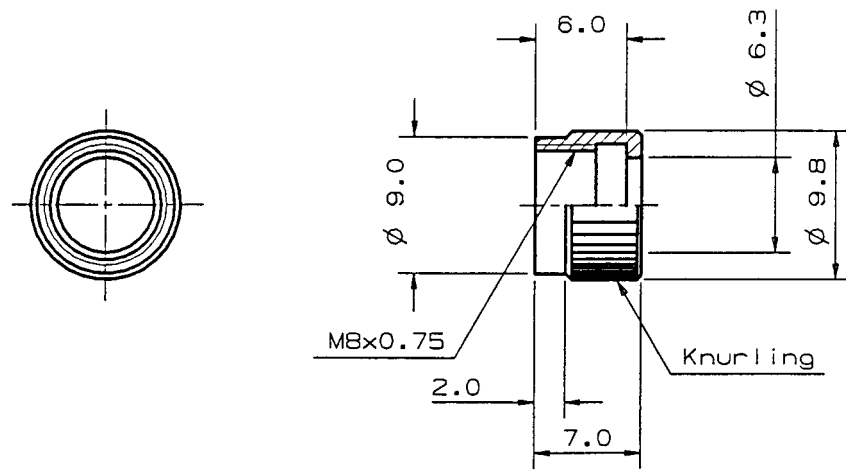
Unit: mm

Figure 3 ② Keyring



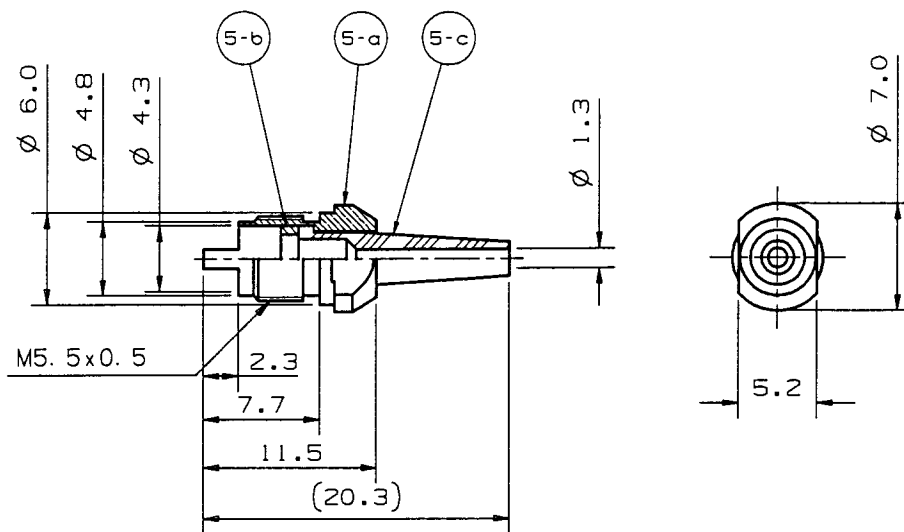
Unit: mm

Figure 4 ③ Spring



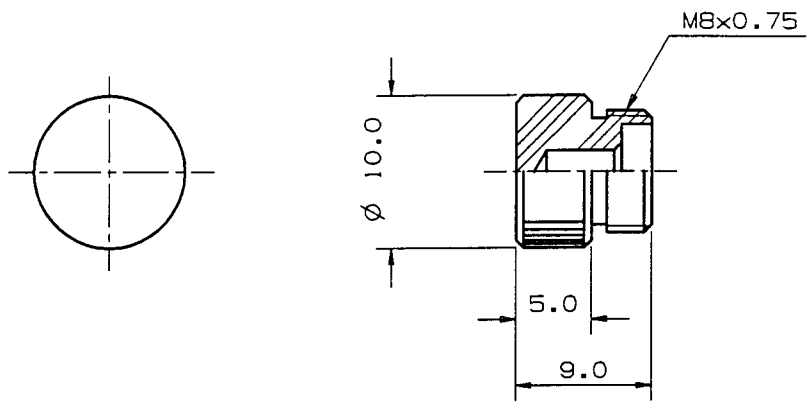
Unit: mm

Figure 5 ④ Coupling nut



Unit: mm

Figure 6 ⑤ Stopper



Unit: mm

Figure 7 © Cap