



Features & Benefits

- SMA 905 compatible
 - High precision pre-polished ceramic ferrule
 - Precision controlled ferrule length
 - Strength member retention
- Two styles:
- Crimpless screw type (no crimp tool required)
 - Standard crimp style
- Long, short and 900 μ m buffered fiber boot styles
 - Metal or polymer coupling nut
 - Field installable
 - Low insertion loss: < .25 dB TYP

Applications

- Local Area Networks (LAN's)
- Data processing networks
- Active device termination
- Premise installations
- Instrumentation

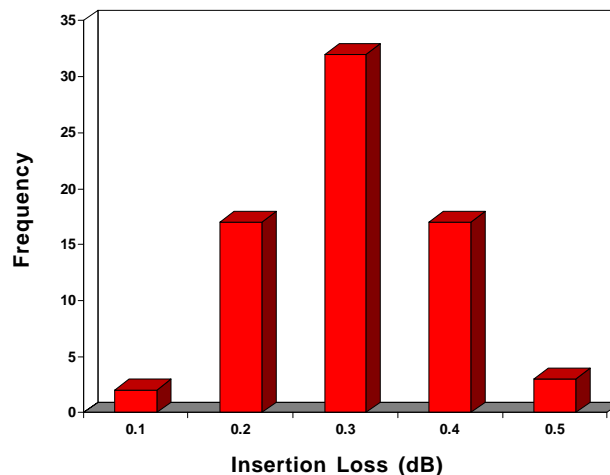
SMA connectors are specially designed for multimode data communication applications. Molex SMA connectors are fully compatible with existing SMA 905 hardware.

The connector is designed using the latest ceramic, metal and engineering polymer materials. Consistent field terminations are easily achieved with the unique Molex termination process and the connector's pre-polished ceramic ferrule. This connector is available with either metal or polymer coupling nuts.

Connector-to-connector mating is achieved by using a bulkhead feed-through adapter. Two types of adapters are available: a high performance polymer version with a precise metal alloy alignment sleeve and a full metal version which complies with the MIL-C-83522/3B specifications.

Optical Performance Distribution

**Insertion Loss Performance
(MM ferrule, 62.5/125 μ m fiber)**

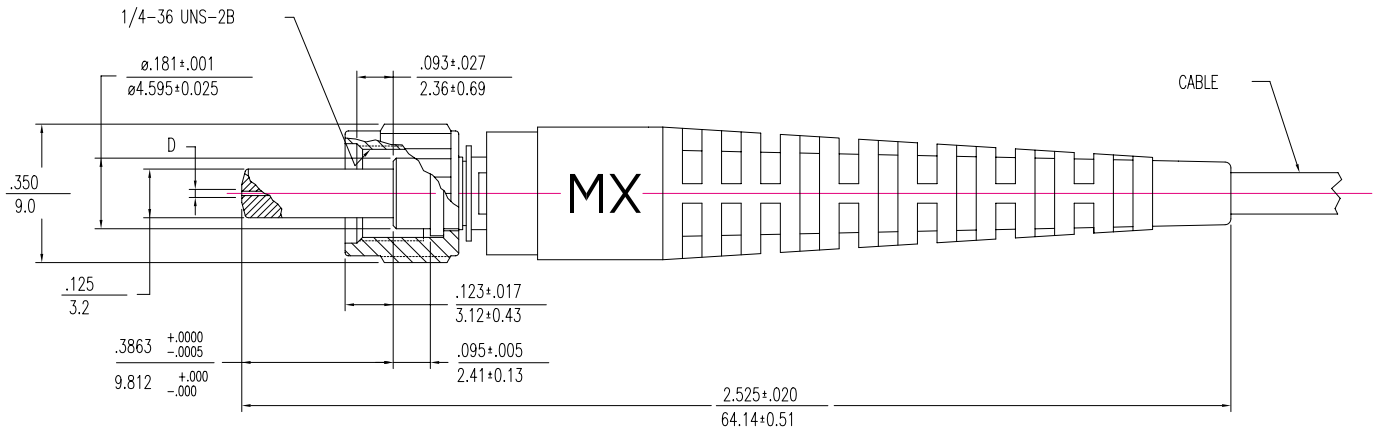


Performance and Specifications

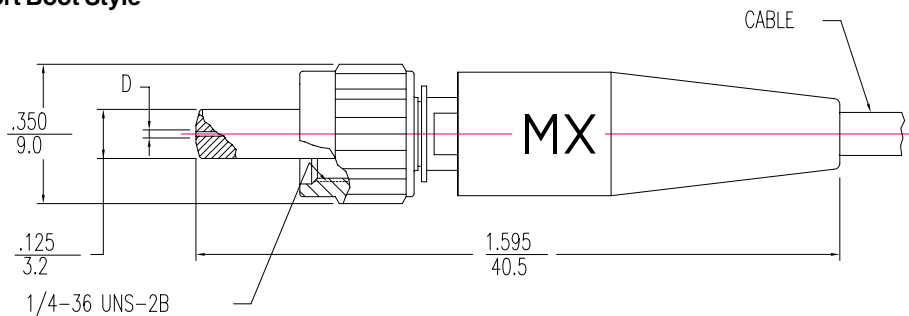
Characteristics	Units	Min.	Typ.	Max.	Comments
Durability	~dB	-	-	0.2	FOTP-21A, 1000 cycles cleaning every 100 cycles
Temperature Range:					
Storage	°C	-40	-	+80	May be further limited by cable specifications
Operating	°C	-40	-	+80	May be further limited by cable specifications
Thermal Shock	~dB	-	-	0.2	-40°C to +60°C, 10 cycles
Temperature Cycling	~dB	-	-	0.2	-40°C to +80°C, 40 cycles
Humidity Cycling	~dB	-	-	0.2	FOTP-5, type 1 +60°C at 95% RH for 504 hours
Cable Retention	~dB	-	-	0.2	FOTP-6, 40 lb. load without adhesive

Mechanical Dimensions

SMA Connector, Long Boot Style



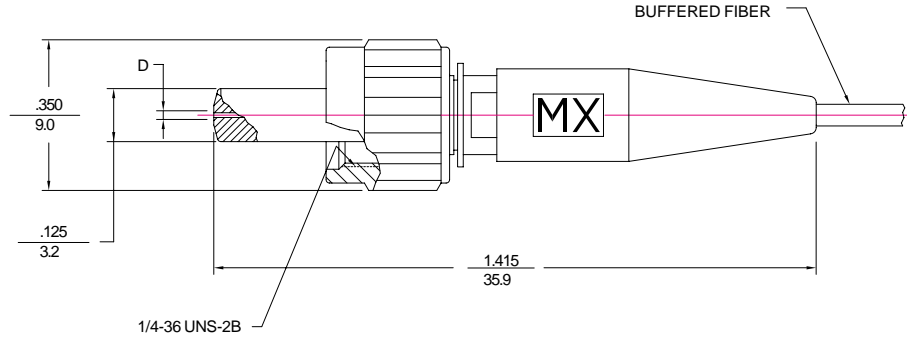
SMA Connector, Short Boot Style



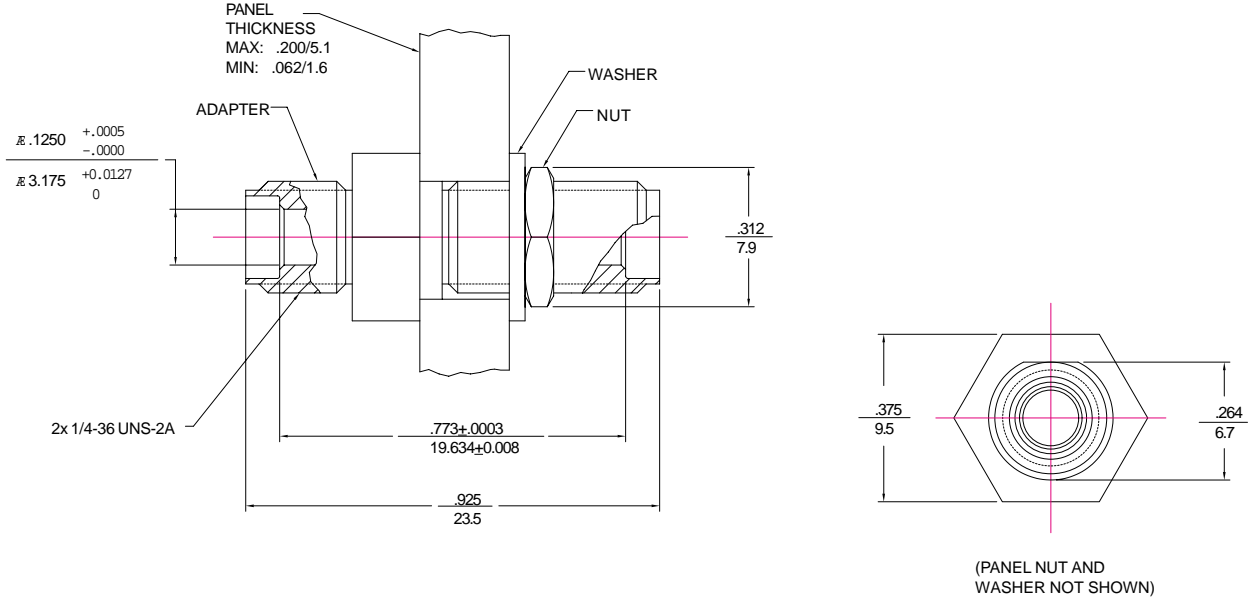
All dimensions in $\frac{\text{INCHES}}{\text{mm}}$

Mechanical Dimensions

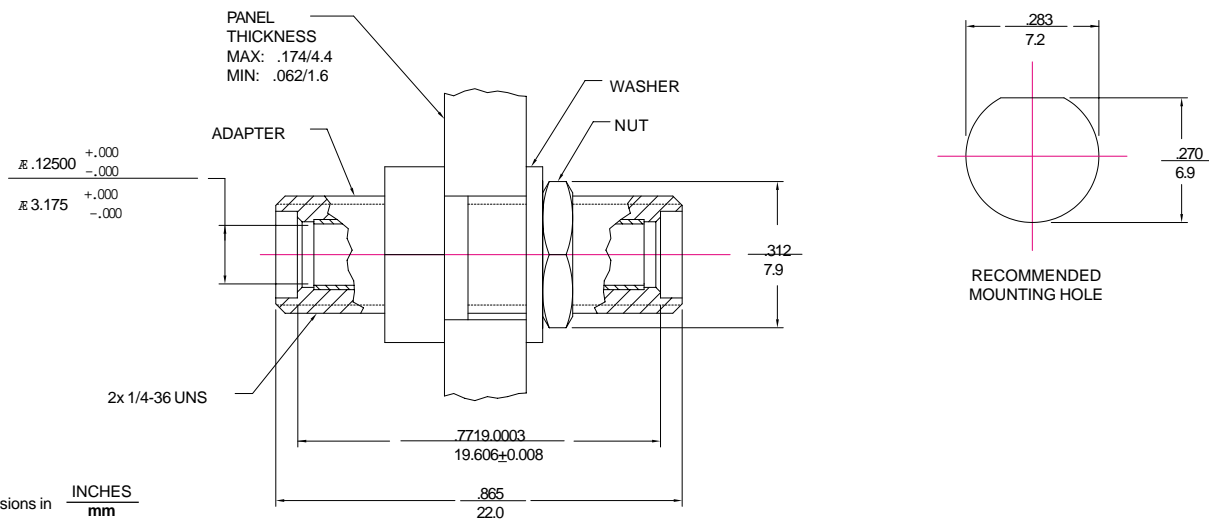
SMA Connector, 900µm Boot Style



SMA Adapter, Polymer Body



SMA Adapter, Metal Body



All dimensions in $\frac{\text{INCHES}}{\text{mm}}$

Standard Part Numbers

Order Number	Description	Hole size	Cable size
86020-0000	SMA connector, MM, ceramic ferrule, polymer coupling nut, long boot	128µm	2.4mm and 3.0mm
86020-0200	SMA connector, MM, ceramic ferrule, polymer coupling nut, short boot crimp	128µm	2.4mm and 3.0mm
86020-0500	SMA connector, MM, ceramic ferrule, polymer coupling nut, buffered fiber	128µm	900µm buffered fiber
86020-1000	SMA connector, MM, ceramic ferrule, polymer coupling nut, long boot	144µm	2.4mm and 3.0mm
86020-1200	SMA connector, MM, ceramic ferrule, polymer coupling nut, short boot crimp	144µm	2.4mm and 3.0mm
86020-1500	SMA connector, MM, ceramic ferrule, polymer coupling nut, buffered fiber	144µm	900µm buffered fiber
86021-0000	SMA connector, MM, ceramic ferrule, metal coupling nut, long boot	128µm	2.4mm and 3.0mm
86021-0200	SMA connector, MM, ceramic ferrule, metal coupling nut, short boot crimp	128µm	2.4mm and 3.0mm
86021-0500	SMA connector, MM, ceramic ferrule, metal coupling nut, buffered fiber	128µm	900µm buffered fiber
86021-1000	SMA connector, MM, ceramic ferrule, metal coupling nut, long boot	144µm	2.4mm and 3.0mm
86021-1200	SMA connector, MM, ceramic ferrule, metal coupling nut, short boot crimp	144µm	2.4mm and 3.0mm
86021-1500	SMA connector, MM, ceramic ferrule, metal coupling nut, buffered fiber	144µm	900µm buffered fiber
86121-0000	SMA adapter, polymer body, metal alignment sleeve, high performance		
86122-0000	SMA adapter, metal body, metal alignment sleeve		