

MATERIALS AND FINISHES:

73413-6080 NON MAGNETIC:  
 BODY, OUTER CONTACT,  
 CONTACT : BERYLLIUM COPPER  
 PLATED GOLD (8μ-in MIN)  
 OVER HIGH-PHOS NICKEL (80μ-in MIN)

CRIMP TUBE: BERYLLIUM COPPER  
 PLATED GOLD (5μ-in MIN)  
 OVER HIGH-PHOS NICKEL (80μ-in MIN)

INSULATOR: PTFE

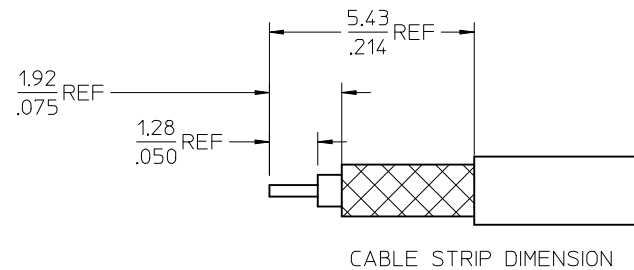
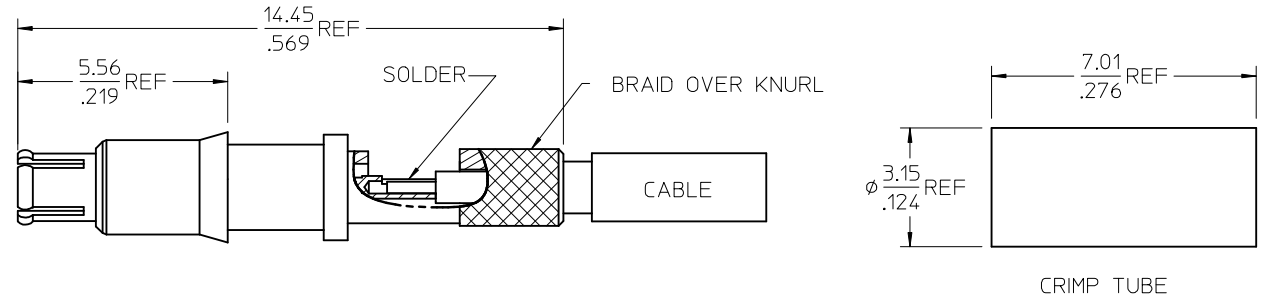
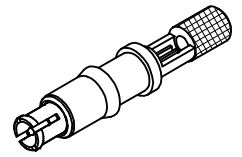
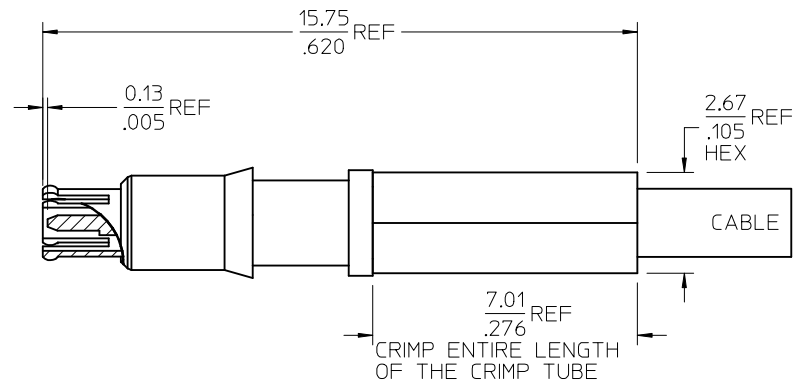
73413-6081 STANDARD:  
 BODY: BRASS  
 PLATED GOLD (8μ-in MIN) OVER  
 HIGH-PHOS NICKEL (80μ-in MIN)

OUTER CONTACT: BERYLLIUM COPPER  
 PLATED GOLD (2μ-in MIN) OVER  
 NICKEL (150μ-in MIN)

CONTACT: BRASS  
 PLATED GOLD (10μ-in MIN) OVER  
 NICKEL (100μ-in MIN)

CRIMP TUBE: BRASS  
 PLATED GOLD ( 1μ-in MIN) OVER  
 NICKEL (50μ-in MIN)

INSULATOR: TEFLON



73413-6081	STANDARD
73413-6080	NON MAGNETIC
PART NO.	DESCRIPTION

PS-89675-3600	SSMCX PLUG
SPECIFICATION	DESCRIPTION

CHG: UPDATED VIEWS TO REFLECT CHANGE MADE TO INSULATOR IEC NO: URF2017-0399 DRW: DRWINBSHAH 2017/06/09 CHK: CHKD:SSS 2017/06/09 APPR: AROBERTSON 2017/06/13	QUALITY SYMBOLS	DESCRIPTION
	▽=0	
	▽=0	
	REV	A3

GENERAL TOLERANCES (UNLESS SPECIFIED)			
4 PLACES ± .005	3 PLACES ± .005	2 PLACES ± .005	1 PLACE ± .005
ANGULAR ± 2 °			
DRAFT WHERE APPLICABLE MUST REMAIN WITHIN DIMENSIONS			

DIMENSION STYLE MM/IN	
DRAWN BY	DATE
JYL	2009/01/06
CHECKED BY	DATE
SSS	2009/01/06
APPROVED BY	DATE
JDW	2009/01/06
MATERIAL NO.	SEE TABLE
SIZE	C

SCALE	DESIGN UNITS	THIRD ANGLE PROJECTION
	METRIC	
TITLE		
SSMCX PLUG, RG178 NON-MAG, SSMCX-PC, EWR-3838		
MOLEX MOLEX INCORPORATED		SHEET NO.
DOCUMENT NO.		1 OF 1
THIS DRAWING CONTAINS INFORMATION THAT IS PROPRIETARY TO MOLEX INCORPORATED AND SHOULD NOT BE USED WITHOUT WRITTEN PERMISSION		