

FEATURES

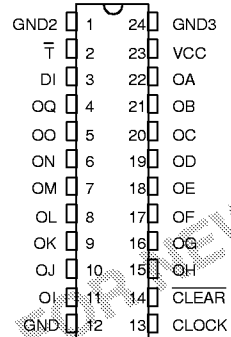
- Replaces 8 or 16 hard-to-get-at manual switches
- Options printed circuit board via software
- Modular expansion by cascading packages
- Set or interrogate with only three signals
- Requires no pull-up resistors
- Links to system bus with the DS1206 Phantom Serial Interface Chip
- Low-power CMOS
- Switch setting changes occur simultaneously
- DS1290 and DS1292 maintain settings in the absence of power; DS1291 and DS1293 are volatile
- Over 10 years of data retention for DS1290 and DS1292

NOT RECOMMENDED FOR NEW DESIGN

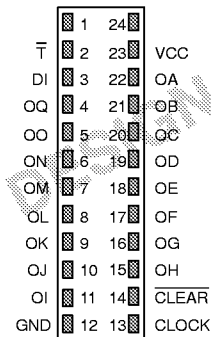
DESCRIPTION

The DS129x Eliminator replaces manual switches used to option printed circuit boards. Up to sixteen output pins can be set to a logic level or interrogated by three signals: clock, data and transfer. The Eliminator can be controlled with software using the DS1206 Phantom Interface to synthesize the clock, data and transfer signals from a system bus. Multiple packages can be strung together for modular expansion. Once programmed, the DS1290 and DS1292 will maintain high or low level outputs, duplicating the effects of a mechanical switch and pull-up resistor. The technical support needed to configure a system is minimized with the Eliminator, Phantom Interface and menu-driven software.

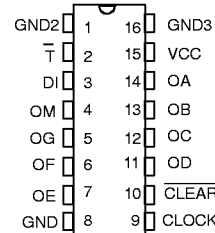
PIN ASSIGNMENT



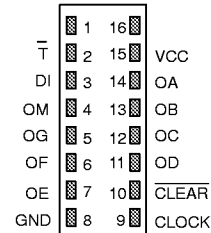
DS1293 24-PIN DIP (300 MIL)
See Mech. Drawings Section



DS1292 24-PIN ENCAPSULATED PACKAGE (450 MIL)
See Mech. Drawings Section



DS1291 16-PIN DIP (300 MIL)
See Mech. Drawings Section



DS1290 16-PIN ENCAPSULATED PACKAGE (450 MIL)
See Mech. Drawings Section

PIN DESCRIPTION

- | | | |
|--------------------------------|---|---|
| \bar{T} | - | Transfer |
| DI | - | Data Input |
| O _A -O _Q | - | Switch Outputs |
| CLOCK | - | Clock Input |
| $\overline{\text{CLEAR}}$ | - | All Outputs Set Low |
| V _{CC} | - | +5 Volts |
| GND | - | Ground |
| GND2 | - | Missing on DS1292 and DS1290.
Must be grounded on DS1293 and DS1291. |
| GND3 | - | Missing on DS1292 and DS1290.
Must be grounded on DS1293 and DS1291. |

OPERATION

The DS1292/DS1293 Eliminator is a 16-bit shift register that has a clocked serial input, an asynchronous clear, and an output transfer control (see "Block Diagram" in Figure 1). The DS1290/DS1291 Eliminator is an 8-bit shift register that has a clocked serial input, an asynchronous clear, and an output transfer control. Data can be entered into the registers only when the transfer input (\bar{T}) is at a high level. While at a high level, the transfer function allows serial entry of data via the data input pin (DI). The outputs O_Q through O_B remain in the state that was set prior to \bar{T} being driven to a high level. Output O_A will change state as new data is entered. This output provides a method of feeding back actual output settings prior to setting the \bar{T} input low (Figure 2). When the \bar{T} input is driven low, new data that has been input into the 16-bit shift register is now locked at outputs O_Q through O_A . When the \bar{T} input is low, all clock and data inputs are ignored. Valid data is clocked into the eliminator while \bar{T} is high on the low-to-high transition of the CLOCK input. Data can be changed while the CLOCK input is high or low, but only data meeting the setup requirements will enter the shift register. The \bar{C} CLEAR input will always set all outputs to low level regardless of the level of the CLOCK or \bar{T} input.

DATA RETENTION MODE

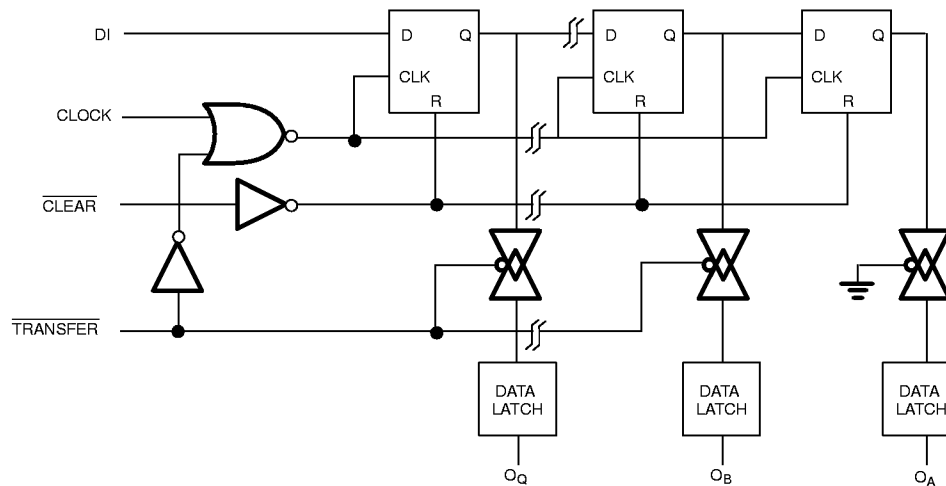
The DS129x Eliminator provides full functional capability when V_{CC} is greater than 4.5 volts and will ignore all inputs when V_{CC} reaches 4.25 volts typical. In this manner, the settings of each register remain intact during

power transients. As V_{CC} falls below approximately 3 volts, an internal power switching circuit connects a lithium energy source to the shift register to maintain data. During power-up when V_{CC} rises above approximately 3 volts, the power switching circuit connects external V_{CC} to the shift register and disconnects the lithium energy source. Normal operation can resume after V_{CC} exceeds 4.5 volts for 10 ms minimum. During power transients the 16 outputs will track the level of V_{CC} if set to logic 1 and will remain at ground level if set to Logic 0.

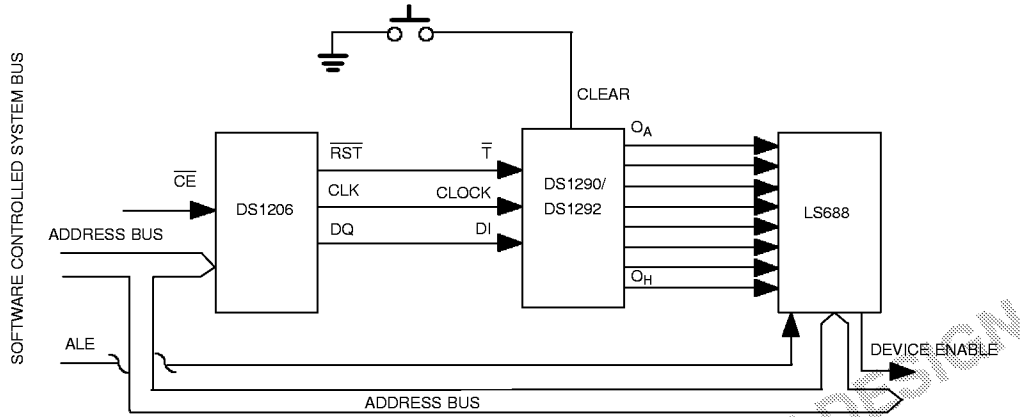
TYPICAL APPLICATION – ELIMINATOR

The DS129x and DS1206 combine to make a programmable nonvolatile DIP switch that can be transparently set in systems without disturbing other operations. Because the switches are nonvolatile, they need only be set once; they will remain in the programmed state indefinitely. The block diagram of Figure 2 shows the Eliminator implemented with the DS1206 Phantom Serial Interface Chip. The DS1206 samples four address lines and the chip enable signal looking for a special pattern for 24 consecutive cycles (see the DS1206 data sheet). When a proper match is found, the address lines and one data line become control and data signals that are used to program and verify the settings of the DS129x. All of the signaling sent to the DS1206 and subsequently to the DS1292 is generated by software-controlled read cycles that have no effect on the rest of system operation. The clear signal can be used to restore a system back to an unconfigured state.

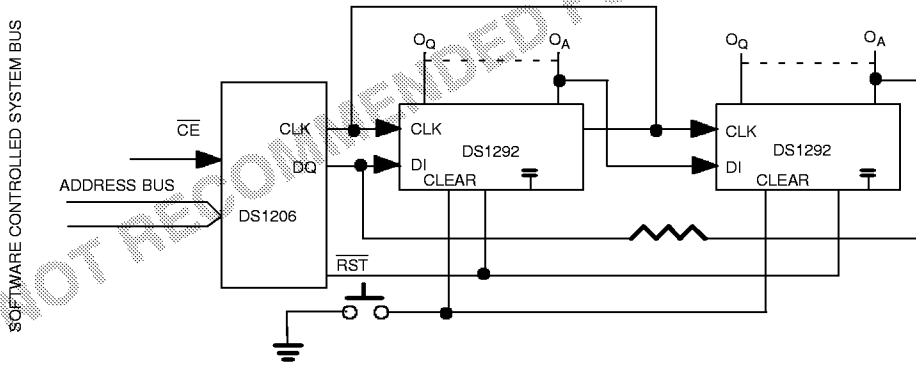
BLOCK DIAGRAM – DS129x Figure 1



PHANTOM INTERFACE AND ELIMINATOR TYPICAL APPLICATION Figure 2



MODULAR EXPANSION OF THE ELIMINATOR Figure 3



ABSOLUTE MAXIMUM RATINGS*

Voltage on any Pin Relative to Ground	-0.3V to +7.0V
Operating Temperature	0°C to 70°C
Storage Temperature	-40°C to +70°C
Soldering Temperature	260°C for 10 seconds

* This is a stress rating only and functional operation of the device at these or any other conditions above those indicated in the operation sections of this specification is not implied. Exposure to absolute maximum rating conditions for extended periods of time may affect reliability.

RECOMMENDED DC OPERATING CONDITIONS

(0°C to 70°C)

PARAMETER	SYMBOL	MIN	TYP	MAX	UNITS	NOTES
Supply Voltage	V _{CC}	4.5	5.0	5.5	V	1
Logic 1	V _{IH}	2.2		V _{CC} +0.3	V	1
Logic 0	V _{IL}	-0.3		+0.8	V	1

DC ELECTRICAL CHARACTERISTICS(0°C to 70°C; V_{CC} = 4.5V to 5.5V)

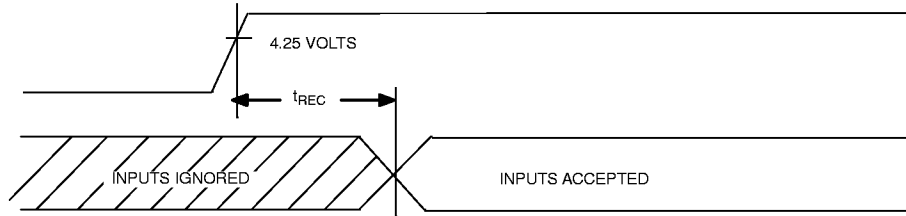
PARAMETER	SYMBOL	MIN	TYP	MAX	UNITS	NOTES
Supply Current	I _{CC}		3	5	mA	
Input Leakage	I _{IL}	-1.0		+1.0	μA	4
Output Leakage	I _{IO}	-1.0		+1.0	μA	
Logic 1 Output @ 2.4V	I _{OH}	-1.0			mA	2
Logic 0 Output @ 0.4V	I _{OL}			4.0	mA	2

CAPACITANCE(t_A = 25°C)

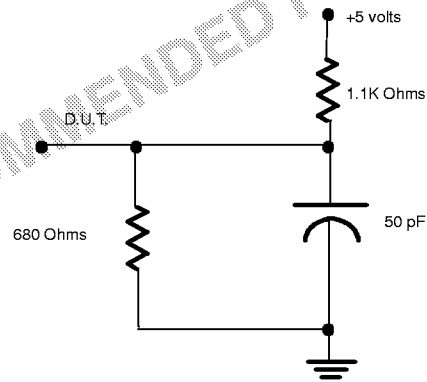
PARAMETER	SYMBOL	MIN	TYP	MAX	UNITS	NOTES
Input Capacitance	C _{IN}			5	pF	
Output Capacitance	C _{OUT}			7	pF	

AC ELECTRICAL CHARACTERISTICS(0°C to 70°C; V_{CC} = 5V ± 10%)

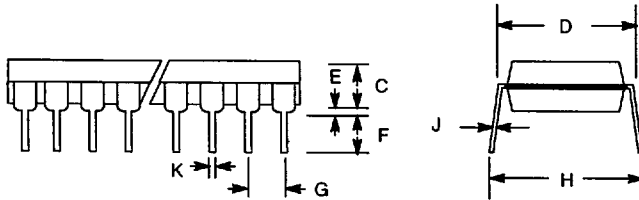
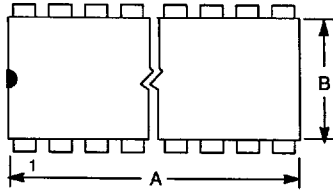
PARAMETER	SYMBOL	MIN	TYP	MAX	UNITS	NOTES
Clock Frequency	f _{CLOCK}			10	MHz	
Width of Clock Pulse	t _{wCLOCK}	50			ns	3
Width of Clear Pulse	t _{wCLEAR}	50			ns	3
Data Setup Time	t _{SU}	30			ns	3
Data Hold Time	t _H	10			ns	3
Propagation Delay Time High to Low Level Clear to Output	t _{PHLC}			70	ns	3
Propagation Delay Time Low to High Level Clock to Output	t _{PLH}			50	ns	3

TIMING DIAGRAM: POWER-UP (3)**NOTES:**

1. All voltages are referenced to ground.
2. Measured with a load as shown in Figure 4.
3. $V_{REF} = 1.5$ volts.
4. Clock and transfer inputs have internal pull-down resistors of $20K\Omega$ typical. Clear has an internal pull-up resistor of $20K\Omega$ typical.

OUTPUT LOAD Figure 4

8- TO 28-PIN DIP (300 MIL)



Includes:

- | | | |
|---------|----------|---------|
| DS1000 | DS1211 | DS1621 |
| DS1000M | DS1215 | DS1625 |
| DS1003 | DS1221 | DS1632 |
| DS1003M | DS1222 | DS1640 |
| DS1004M | DS1228 | DS1651 |
| DS1005 | DS1229 | DS1652 |
| DS1005M | DS1231 | DS1652B |
| DS1007 | DS1232 | DS1653 |
| DS1010 | DS1232LP | DS1666 |
| DS1012M | DS1234 | DS1667 |
| DS1013 | DS1236 | DS1669 |
| DS1013M | DS1237 | DS1802 |
| DS1020 | DS1238 | DS1830 |
| DS1033M | DS1239 | DS1832 |
| DS1035M | DS1259 | DS1867 |
| DS1040M | DS1267 | DS1868 |
| DS1044 | DS1275 | DS1869 |
| DS1045 | DS1291 | DS2009D |
| DS1200 | DS1293 | DS2010D |
| DS1206 | DS1336 | DS2011D |
| DS1210 | DS1620 | DS2013D |

PKG	8-PIN		10-PIN		14-PIN		16-PIN	
	MIN	MAX	MIN	MAX	MIN	MAX	MIN	MAX
A IN.	0.360	0.400	0.480	0.520	0.740	0.780	0.740	0.780
MM	9.14	10.16	12.19	13.21	18.80	19.81	18.80	19.81
B IN.	0.240	0.260	0.240	0.260	0.240	0.260	0.240	0.260
MM	6.10	6.60	6.10	6.60	6.10	6.60	6.10	6.60
C IN.	0.120	0.140	0.120	0.140	0.120	0.140	0.120	0.140
MM	3.05	3.56	3.05	3.56	3.05	3.56	3.05	3.56
D IN.	0.300	0.325	0.300	0.325	0.300	0.325	0.300	0.325
MM	7.62	8.26	7.62	8.26	7.62	8.26	7.62	8.26
E IN.	0.015	0.040	0.015	0.040	0.015	0.040	0.015	0.040
MM	0.38	1.02	0.38	1.02	0.38	1.02	0.38	1.02
F IN.	0.120	0.140	0.110	0.130	0.120	0.140	0.120	0.140
MM	3.04	3.56	2.79	3.30	3.04	3.56	3.04	3.56
G IN.	0.090	0.110	0.090	0.110	0.090	0.110	0.090	0.110
MM	2.29	2.79	2.29	2.79	2.29	2.79	2.29	2.79
H IN.	0.320	0.370	0.320	0.370	0.320	0.370	0.320	0.370
MM	8.13	9.40	8.13	9.40	8.13	9.40	8.13	9.40
J IN.	0.008	0.012	0.008	0.012	0.008	0.012	0.008	0.012
MM	0.20	0.30	0.20	0.30	0.20	0.30	0.20	0.30
K IN.	0.015	0.021	0.015	0.021	0.015	0.021	0.015	0.021
MM	0.38	0.53	0.38	0.53	0.38	0.53	0.38	0.53

Continued on following page.

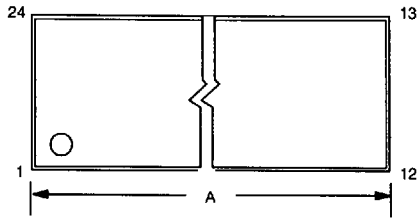
MECHANICAL DRAWINGS

PKG	18-PIN		20-PIN		24-PIN		28-PIN	
	MIN	MAX	MIN	MAX	MIN	MAX	MIN	MAX
A IN. MM	0.890 22.61	0.920 23.36	0.970 24.63	1.040 26.42	1.150 29.21	1.260 32.00	1.345 34.16	1.370 34.80
B IN. MM	0.240 6.10	0.260 6.60	0.240 6.09	0.270 6.86	0.250 6.35	0.270 6.86	0.270 6.85	0.295 7.49
C IN. MM	0.120 3.05	0.140 3.56	0.120 3.05	0.140 3.56	0.120 3.05	0.140 3.56	0.120 3.05	0.140 3.56
D IN. MM	0.300 7.62	0.325 8.26	0.295 7.49	0.325 8.26	0.300 7.62	0.325 8.26	0.300 7.62	0.325 8.26
E IN. MM	0.015 0.38	0.040 1.02	0.015 0.38	0.040 1.02	0.015 0.38	0.040 1.02	0.015 0.38	0.050 1.27
F IN. MM	0.120 3.04	0.140 3.56	0.120 3.04	0.140 3.56	0.125 3.18	0.135 3.48	0.125 3.18	0.135 3.48
G IN. MM	0.090 2.23	0.110 2.79	0.090 2.23	0.110 2.79	0.090 2.23	0.110 2.79	0.090 2.23	0.110 2.79
H IN. MM	0.320 8.13	0.370 9.40	0.310 7.87	0.390 9.91	0.320 8.13	0.370 9.40	0.320 8.13	0.370 9.40
J IN. MM	0.008 0.20	0.012 0.30	0.008 0.20	0.012 0.30	0.008 0.20	0.012 0.30	0.008 0.20	0.012 0.30
K IN. MM	0.015 0.38	0.021 0.53	0.015 0.38	0.021 0.53	0.015 0.38	0.022 0.56	0.015 0.38	0.022 0.56

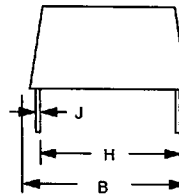
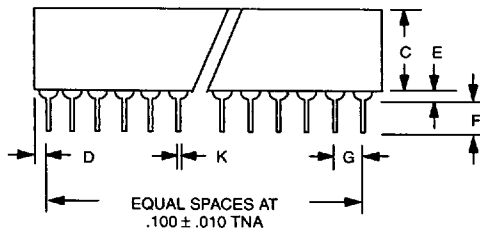
MECHANICAL DRAWINGS

**16- AND 24- PIN ENCAPSULATED PACKAGE
(FLUSH BOTTOM – 450 MIL.)**

Includes:
DS1290
DS1292



NOTE: On 16-pin package, pins 1 and 16 are missing by design. On 24-pin package, pins 1 and 24 are missing by design.



PKG	16-PIN		24-PIN	
	MIN	MAX	MIN	MAX
A IN. MM	0.820 20.83	0.840 21.34	1.310 33.27	1.330 33.78
B IN. MM	0.440 11.18	0.460 11.68	0.440 11.18	0.460 11.68
C IN. MM	0.330 8.38	0.370 9.40	0.330 8.38	0.370 9.40
D IN. MM	0.180 4.57	0.210 5.33	0.215 5.46	0.245 6.22
E IN. MM	0.020 0.51	0.040 1.02	0.020 0.51	0.040 1.02
F IN. MM	0.110 2.79	0.140 3.56	0.110 2.79	0.140 3.56
G IN. MM	0.090 2.29	0.110 2.79	0.090 2.29	0.110 2.79
H IN. MM	0.330 8.38	0.380 9.65	0.330 8.38	0.380 9.65
J IN. MM	0.008 0.20	0.012 0.31	0.008 0.20	0.012 0.31
K IN. MM	0.015 0.38	0.021 0.53	0.015 0.38	0.021 0.53