



REMOTE FAN CONTROLLER
遙控風扇控制器 IC

GENERAL DESCRIPTION 功能敘述

The M75104 is a remote controller encoder pair with M78206,
It is has 8 data key inputs, 2 bit custom codes, and LED indicator.

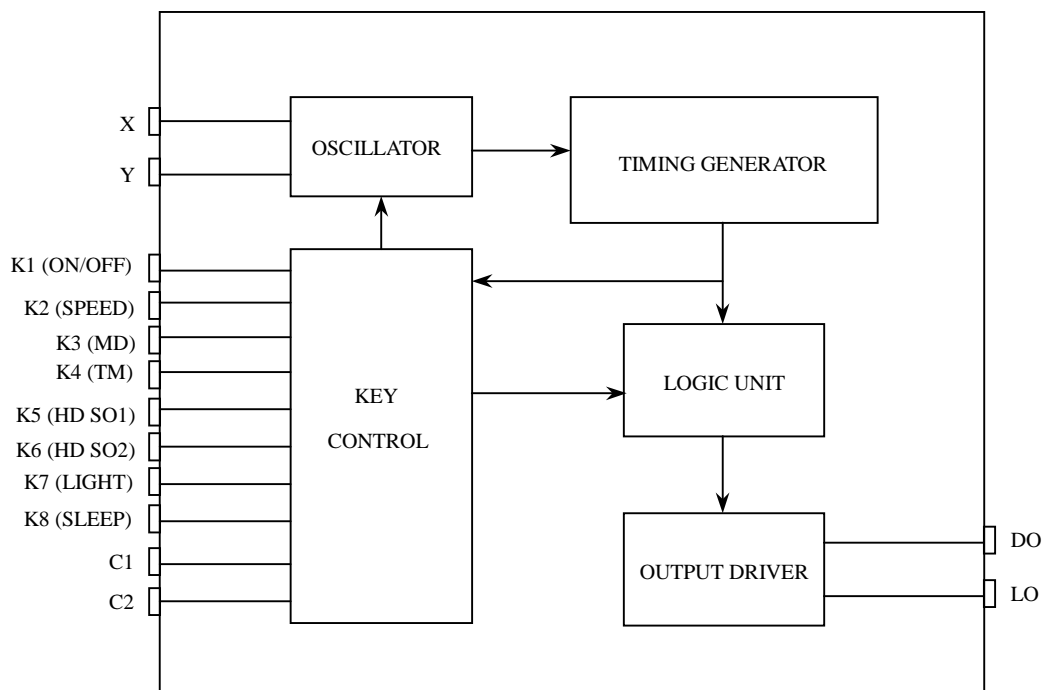
FEATURES 產品特長

- 8 data keys control.
- Two custom codes.
- Direct infrared LED 38 KHz modulation output.
- 16 pin DIP or SO package.

APPLICATIONS 產品應用

- Fan Remote Control...

BLOCK DIAGRAM 功能方塊圖



*All specs and applications shown above subject to change without prior notice.
(以上電路及規格僅供參考,本公司得逕行修正)



REMOTE FAN CONTROLLER
遙控風扇控制器 IC

ABSOLUTE MAXIMUM RATING

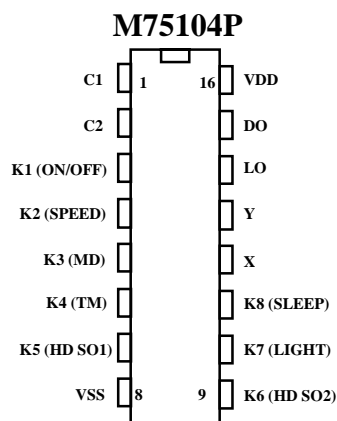
(TA=25°C)

Parameter	Rating	Unit
Supply Voltage	-0.3 to 5.0	V
Input Voltage	$V_{SS} - 0.3 \sim V_{DD} + 0.3$	V
Output Voltage	$V_{SS} - 0.3 \sim V_{DD} + 0.3$	V
Operating Temperature	-10 to 70	°C
Storage Temperature	-40 to 125	°C

ELECTRICAL CHARACTERISTICS

Characteristics	Sym.	Min.	Typ.	Max.	Unit	Conditions
Operating Voltage	V_{DD}	—	3	—	V	
Operating Current	I_{OP}	—	0.1	0.5	mA	No load
Quiescent Current	I_{SB}	—	1	5	μA	
DO Source Current	I_{OH}	—	—	5	mA	@ $V_{DS} = -1V$
LO Source Current	I_{OH}	—	—	10	mA	@ $V_{DS} = 1.2V$
Oscillator Frequency	F_{OSC}	0	455	—	KHz	$\pm 30\%$ TOL.

PIN DESCRIPTION



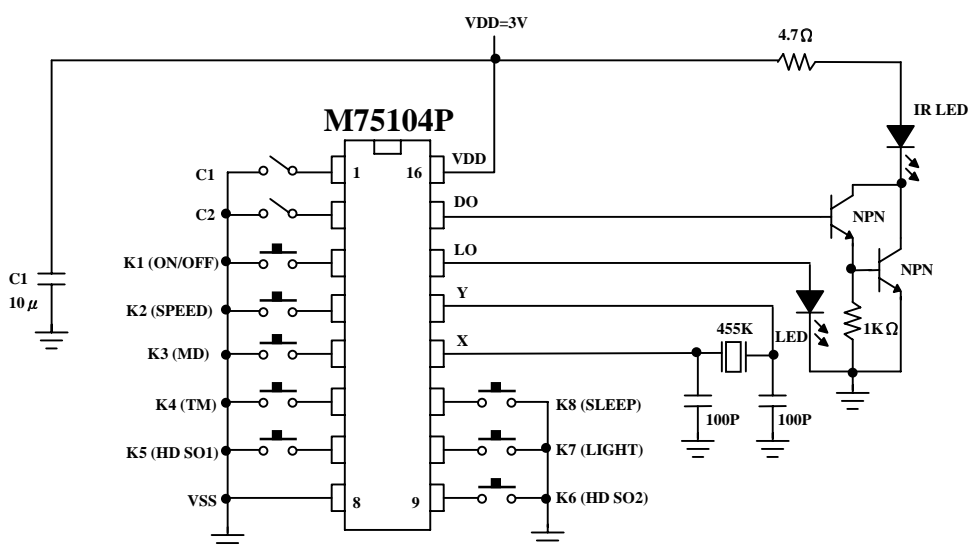


REMOTE FAN CONTROLLER
遙控風扇控制器 IC

PAD DESCRIPTION

No.	PIN	I/O	FUNCTION
1~2	C1,C2	I	CUSTOM CODE
3~7	K1~K5	I	REMOTE CONTROL KEY INPUTS
8	VSS	POWER	NEGATIVE POWER SUPPLY
9~11	K6~K8	I	REMOTE CONTROL KEY INPUTS
12	X	I	OSCILLATOR INPUT
13	Y	O	OSCILLATOR OUTPUT
14	DO	I/O	SIGNAL OUTPUT
15	LO	I/O	LED OUTPUT
16	VDD	POWER	POSITIVE POWER SUPPLY

APPLICATION DIAGRAM 參考電路圖



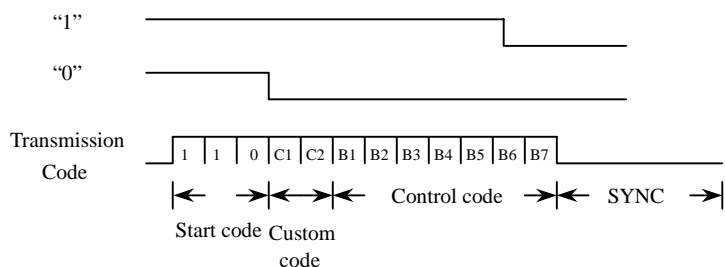
* All specs and applications shown above subject to change without prior notice.
(以上電路及規格僅供參考,本公司得逕行修正)



REMOTE FAN CONTROLLER
遙控風扇控制器 IC

FUNCTION DESCRIPTION

Bit Format



Transmission Code Table

START CODE			CUSTOM CODE		B1	B2	B3	B4	B5	B6	B7	KEY
1	1	0	C1	C2	0	0	0	0	0	0	1	K1
1	1	0	C1	C2	0	0	0	0	0	1	0	K2
1	1	0	C1	C2	0	0	0	0	1	0	0	K3
1	1	0	C1	C2	0	0	0	1	0	0	0	K4
1	1	0	C1	C2	0	0	1	0	0	0	0	K5
1	1	0	C1	C2	0	1	0	0	0	0	0	K6
1	1	0	C1	C2	1	0	0	0	0	1	1	K7
1	1	0	C1	C2	1	0	0	0	1	1	0	K8

Transmission Timing

