

# Common Mode Inductor

Designed for Switching Power Supply Applications.  
Especially useful in the 100 kHz to 300kHz Range.

Single Layer Windings with Spacers specially designed by Rhombus Industries to provide 3mm Creepage and Clearance for International Safety Compliance.

Parameter	Min.	Max.	Units
Inductance *	0.9		mH
DCR		0.1	$\Omega$
Current		2	A <sub>RMS</sub>
Leakage Inductance *		50	$\mu$ H
SRF 1.5 nominal			MHz

Rated Voltage 250 VAC

Hipot (Isolation) 2500 VAC

Insulation Resistance 100M $\Omega$

Temperature Rise 60°C Max.

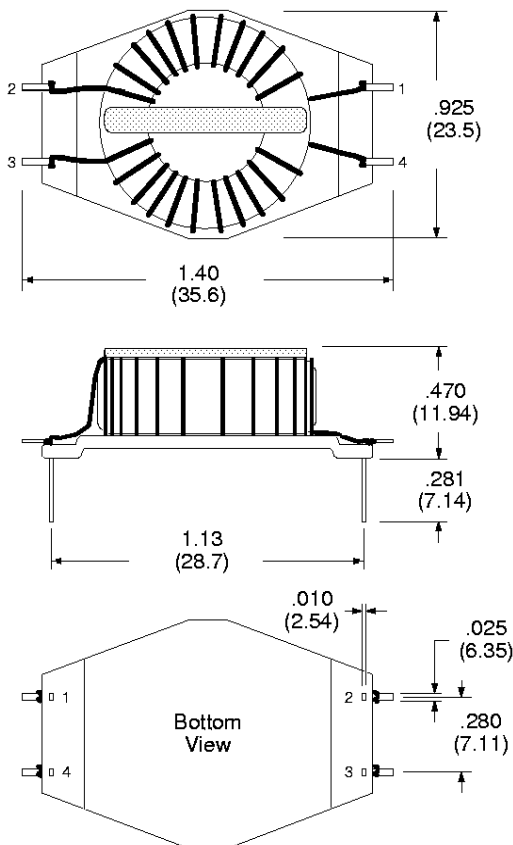
Operating

Temperature Range -25°C to +85°C

\*Inductance tested at 100mV<sub>RMS</sub> and 100 kHz

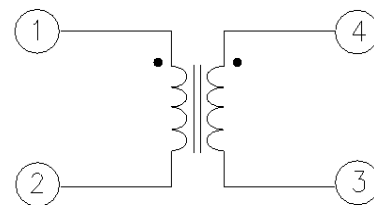
Materials used in construction of this component meet or exceed UL Class B (130° C)

## Physical Dimensions inches (mm)



Flammability: Toroid Mount and Creepage Spacer used in the production of these units meet requirements of UL94-VO and IEC 695-2-2 needle flame test.

## Schematic Diagram



RHOMBUS P/N: **L-394**

CUST P/N:

NAME:

DATE: **10/17/97**

SHEET: 1 OF 1