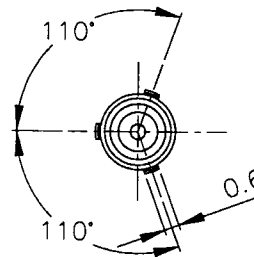
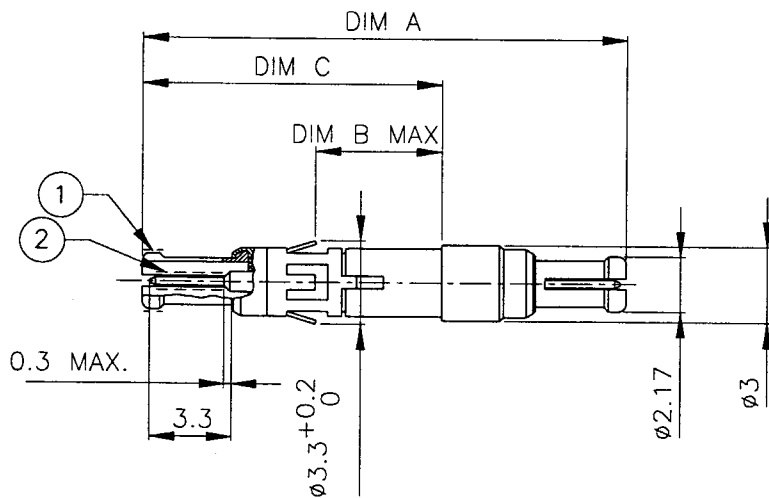


PRODUCT NR:	PCB SIZE MAX.	DIM A	DIM B	DIM C
70296-001	3.25	19.00	5.05	12.00
70296-002	2.45	18.20	4.25	11.20
70296-003	1.65	17.40	3.45	10.40
70296-004	4.05	19.80	5.85	12.80
70296-005	4.85	20.60	6.65	13.60
70296-006	5.65	21.40	7.45	14.40
70296-007	2.05	17.80	3.85	10.80



Note:
None toleranced dimensions are for reference only.

1.27µm Au Min.
Positions 1 & 2
Plating on contact area

mat'l. code				tolerances unless otherwise specified		CUSTOMER COPY		BERG ELECTRONICS		
lir	ecm no	dr	date	linear		projection	title			
A	H10290	DAN	910813				COUPLER			
B	H20350	DAN	920521	angles			product family			
C	H50483	RVI	950928				METRAL(tm)			
D	H70488	DD8	970804	dr	D ANDREWS	910813	scale	size	dwg no	code
				enfr	P SCHALK	950908	5:1	A3	70296	213
				chr	A v ZANTEN	910813				sheet
				appd	H v WOENSEL	910813				1 of 1
sheet index	revision	D								
	sheet	1								