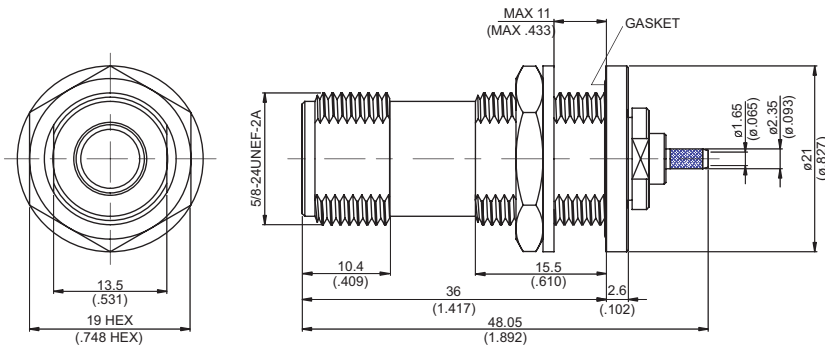
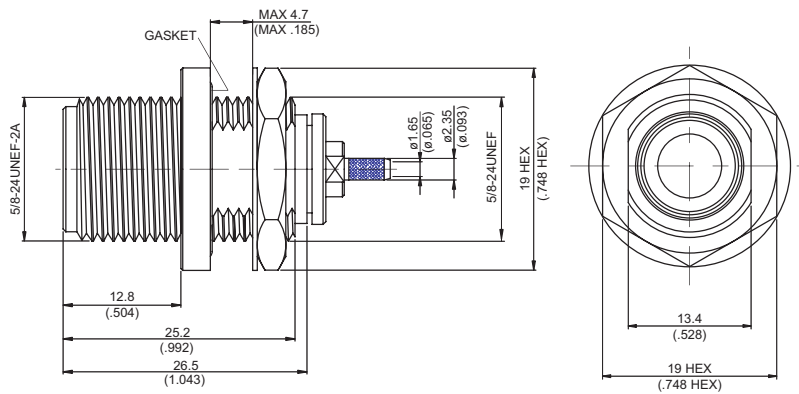


► **N JACK CRIMP FOR BULKHEAD**



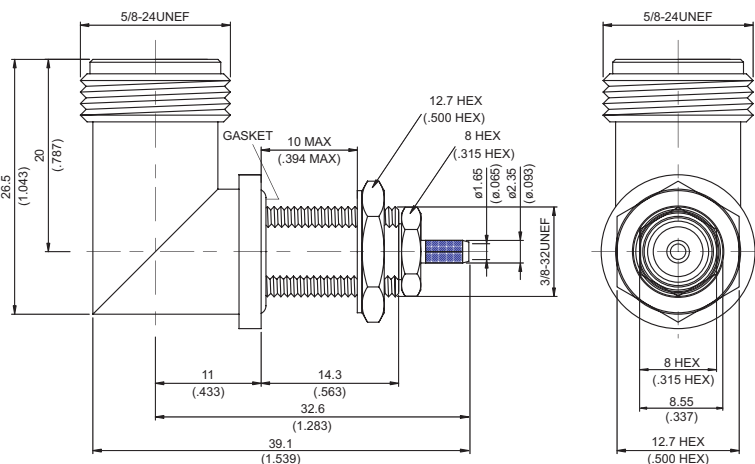
Part Number	M.H.	Weight	Material	Suitable Cables	Remark
N8105C-0316	7	52.15g	C2	RG174, RG188, RG316, RG316-E, RG316-FEP, JBY100	With Gasket

► **N JACK CRIMP FOR BULKHEAD**



Part Number	M.H.	Weight	Material	Suitable Cables	Remark
N8105B-D316	7	39.34g	C2	RG174, RG188, RG316, RG316-E, RG316-FEP, JBY100	Hermetically Sealed; With Gasket
N8105BD-0316	7		C2	RD316, RG316D-E, RD316-FEP	Hermetically Sealed; With Gasket

► **N JACK CRIMP FOR BULKHEAD RIGHT ANGLE**



Part Number	M.H.	Material	Suitable Cables	Remarks
N8105-9316	4	C2	RG174, RG188, RG316, JBY100	With Gasket
N8105D-9316	4	C2	RD316	With Gasket