

You are here: [Products](#) » [Connectors f.con](#) » [Sockets](#) » [High-precision sockets and plugs for DIL-IC](#) » [DIL ... M ...](#) » [DIL 16 M](#)

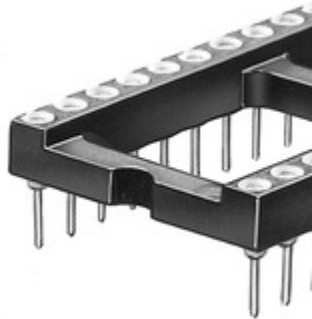
High-precision sockets and plugs for DIL-IC

DIL ... M ...

DIL 16 M Z

Precision sockets and connectors for DIL-IC, open design

[add to request](#) 



Features

Technical Drawing

Variants

Service

no. of contacts	16
contact material	CuZn-alloy
contact spring	gold-plated
surface contact /	Ni+ $\geq 0.2\mu\text{m Au}$
contact sleeve	Ni+4...6 $\mu\text{m Sn}$
inner contact spring material	CuBe-alloy
inner contact spring surface	Ni+0,25 $\mu\text{m Au}$
plugability for circuit points	0,22x0,25mm... 0,4x0,55mm
	$\varnothing 0,4...0,56\text{mm}$
insert depth	2.5...3.6mm
insertion / drawing force	4 lamellas contact
	1.8 N/1.4 N

shock resistance	50 g
vibration resistance max.	15 g
volume resistance	10 mΩ
contact resistance	4 mΩ
contact resistance after 1000 cycles	7 mΩ
capacity between two adjacent contacts	0,4 pF
nominal current	1.5 A
nominal voltage	150 V DC
test voltage	1000 V
insulating body material	PPS, GF
temperature range	-40°C... +200°C (260°C/10 s)
class of flammability	UL 94 V-0
specific insulation resistance	>10 ¹² Ω·m
surface of contact	tin-plated
reflow solderable	yes

You are here: Products » Connectors f.con » Sockets » High-precision sockets and plugs for DIL-IC » DIL ... M ... » **DIL 16 M**

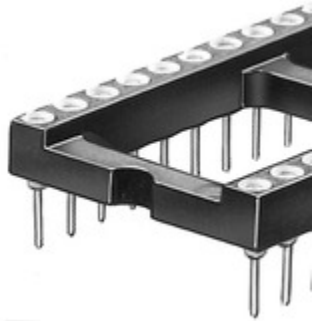
High-precision sockets and plugs for DIL-IC

DIL ... M ...

DIL 16 M Z

Precision sockets and connectors for DIL-IC, open design

add to request 

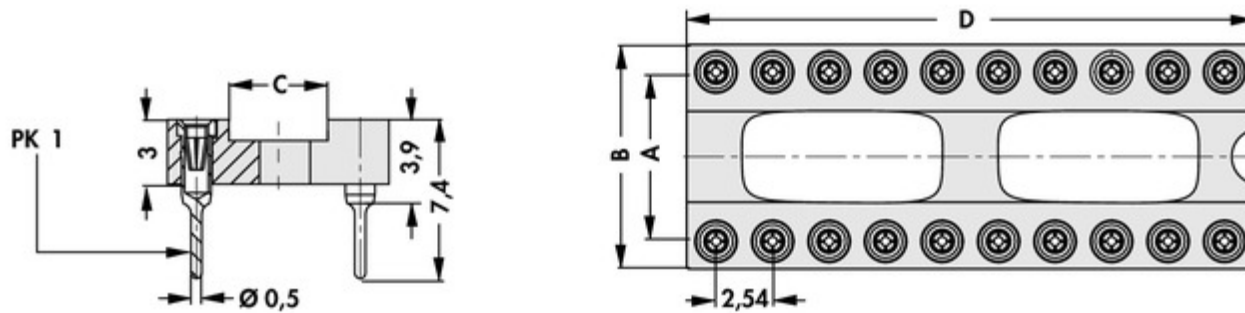


Features

Technical Drawing

Variants

Service



height	7.62
A mm	
B mm	10.1
C mm	3.5
D mm	20.4