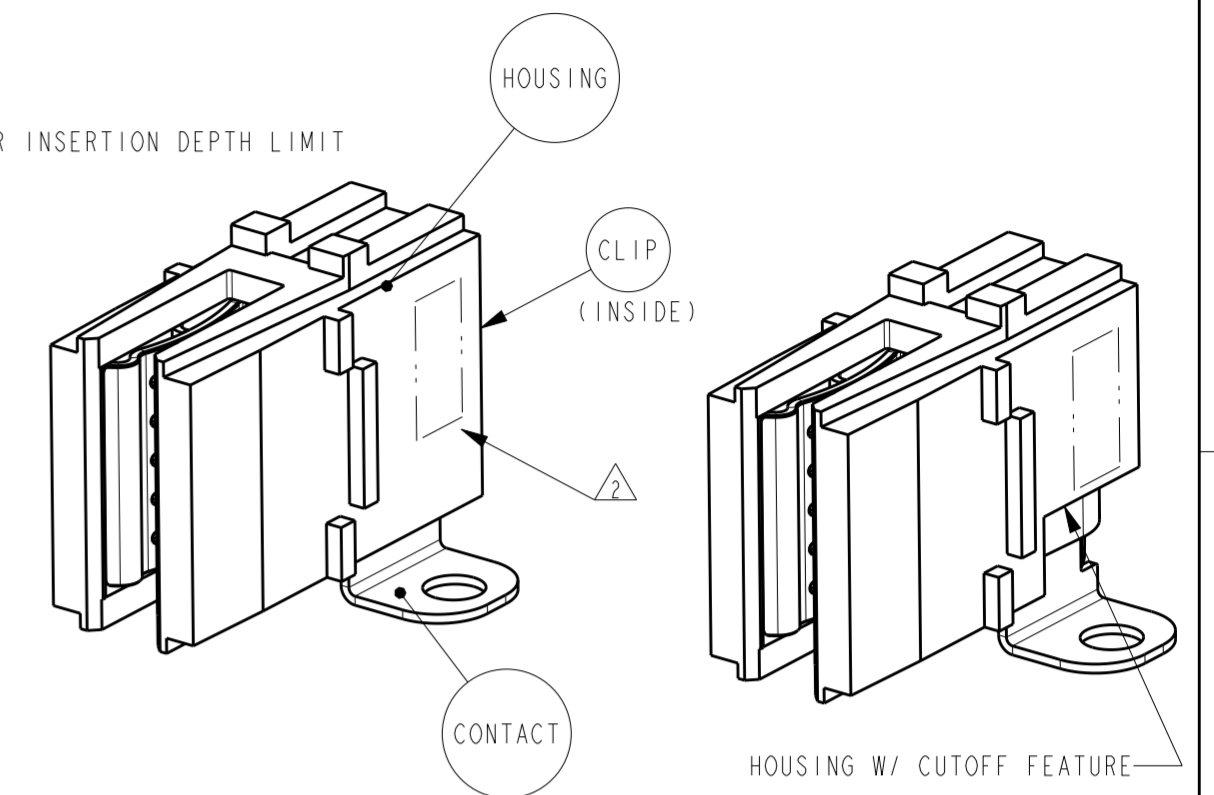
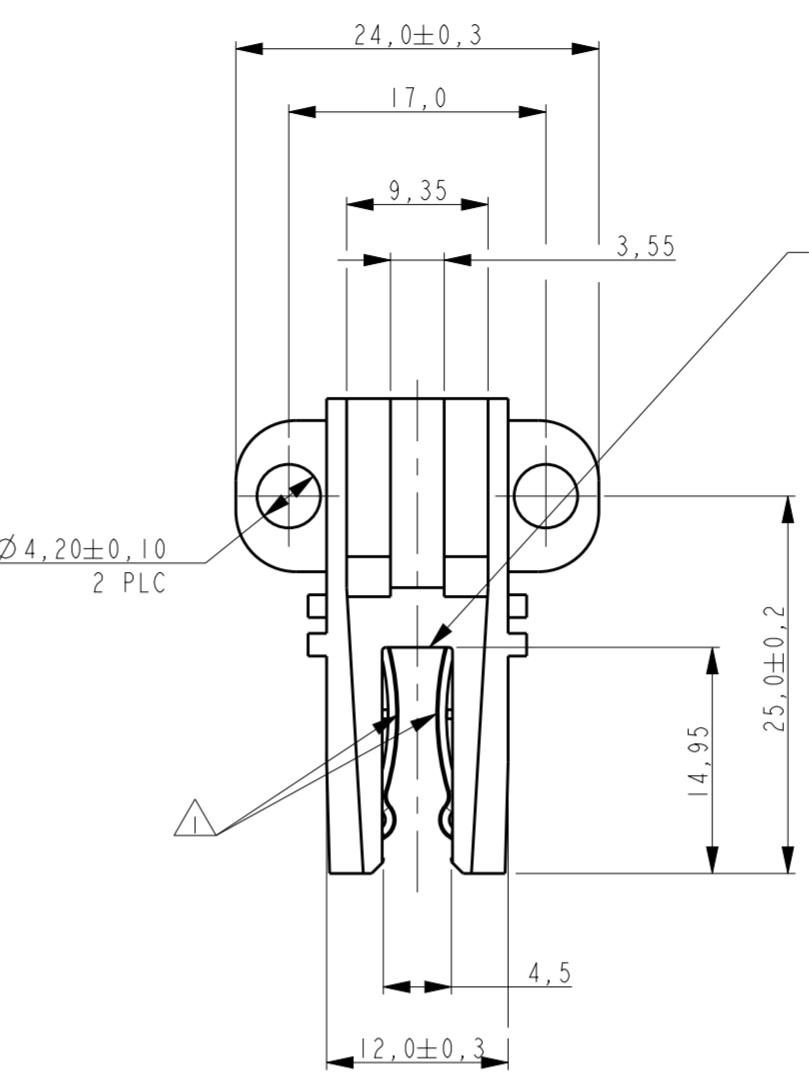
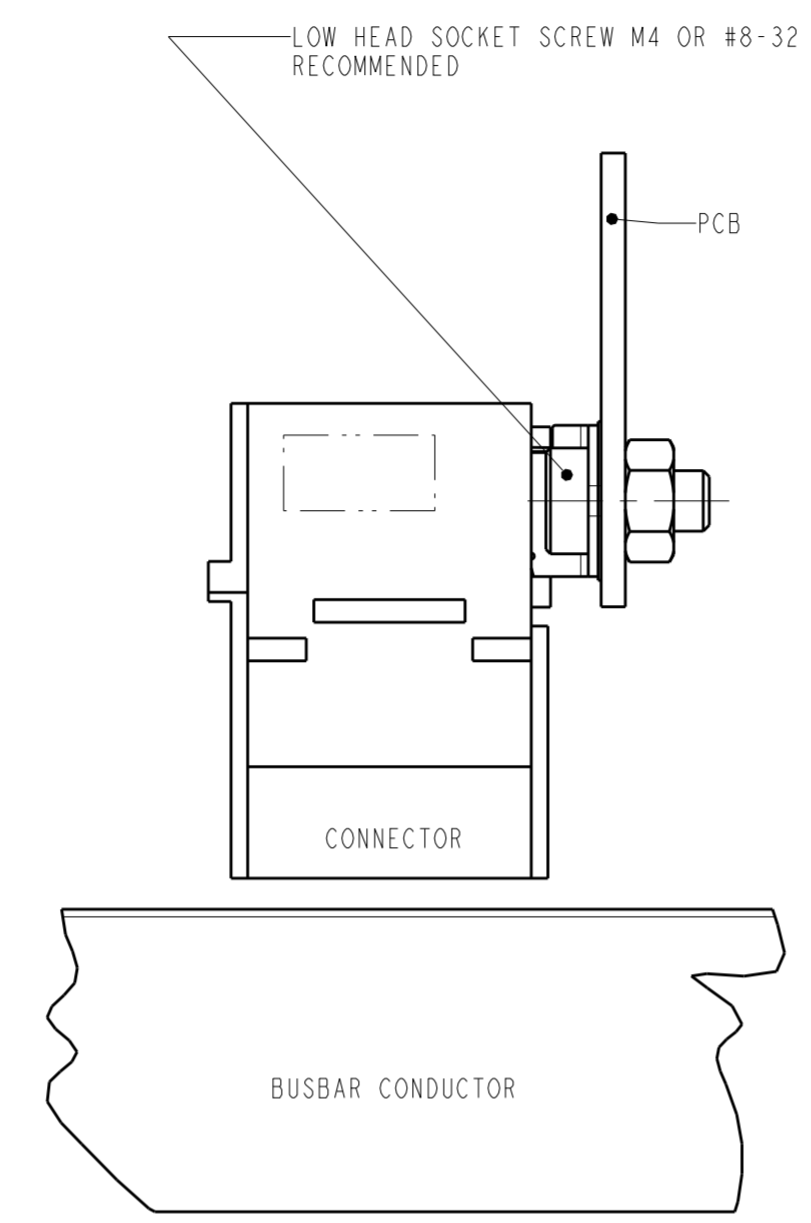
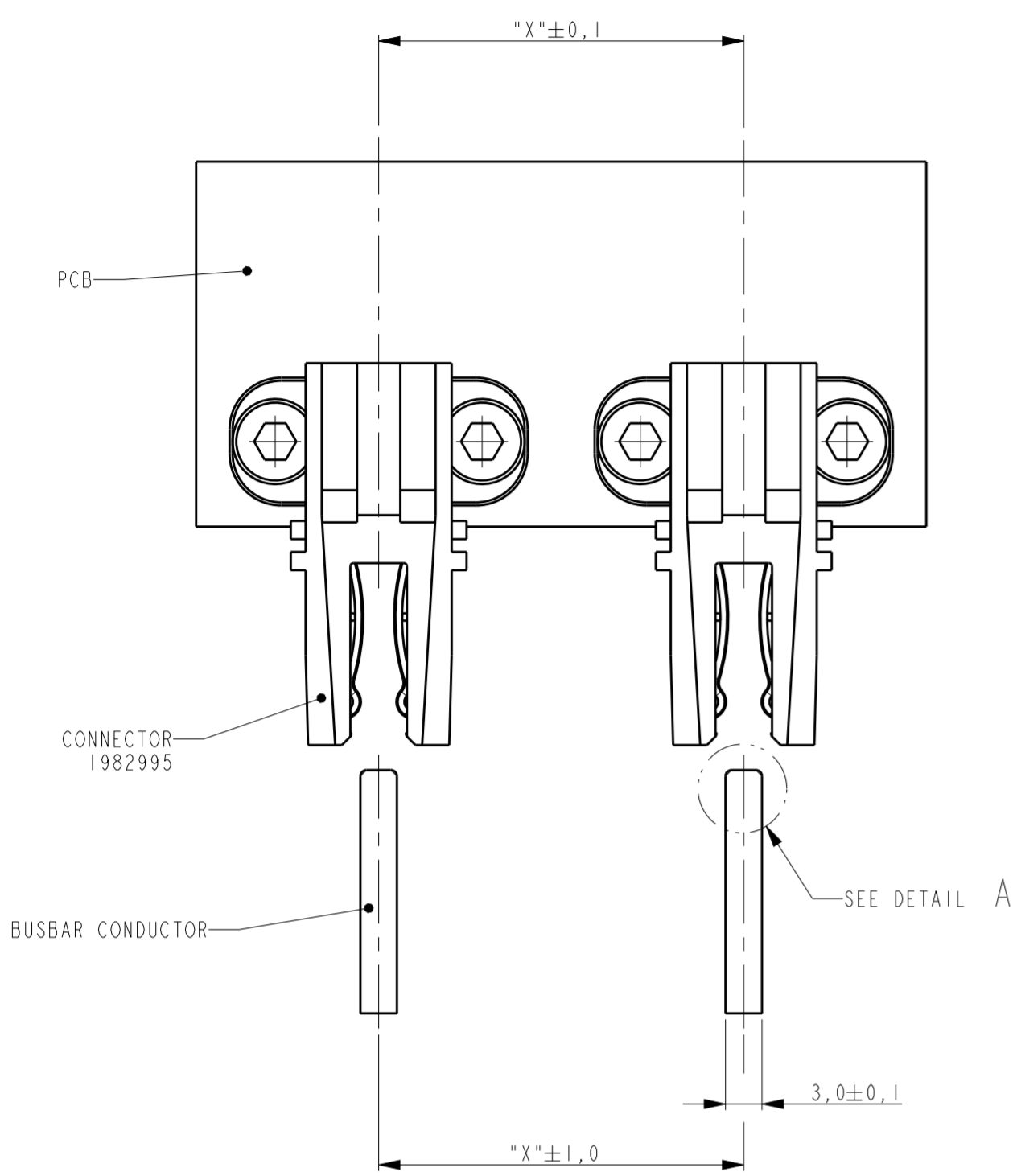


THIS DRAWING IS UNPUBLISHED. RELEASED FOR PUBLICATION  
 © COPYRIGHT - BY - TE CONNECTIVITY ALL RIGHTS RESERVED.

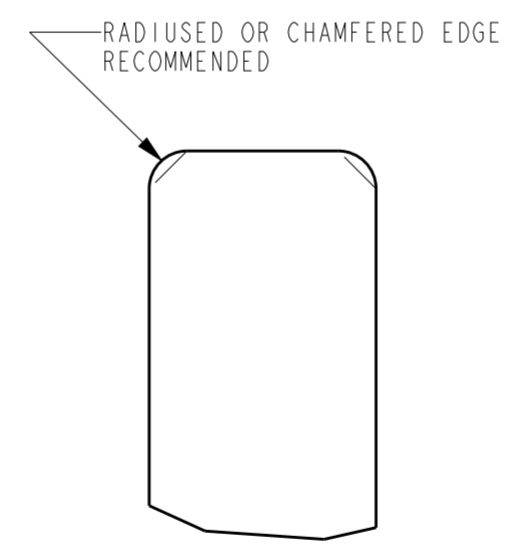
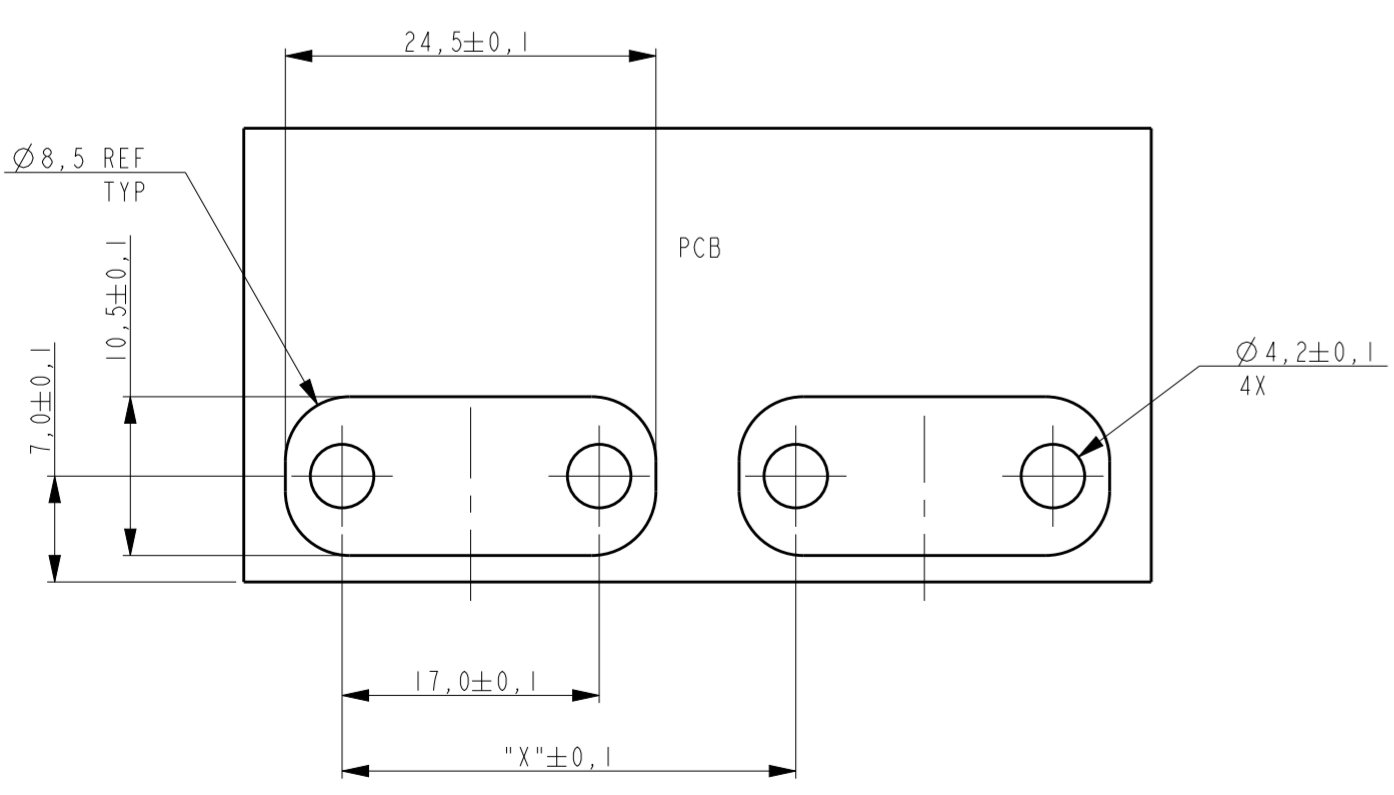
| REVISIONS |     |                       |           |     |      |
|-----------|-----|-----------------------|-----------|-----|------|
| P         | LTR | DESCRIPTION           | DATE      | DWN | APVD |
| A8        |     | REV PER ECR-15-007945 | 16MAY2015 | ML  | SZ   |
| A9        |     | ADDED DASH NUMBER -4  | 07FEB2018 | ML  | SZ   |



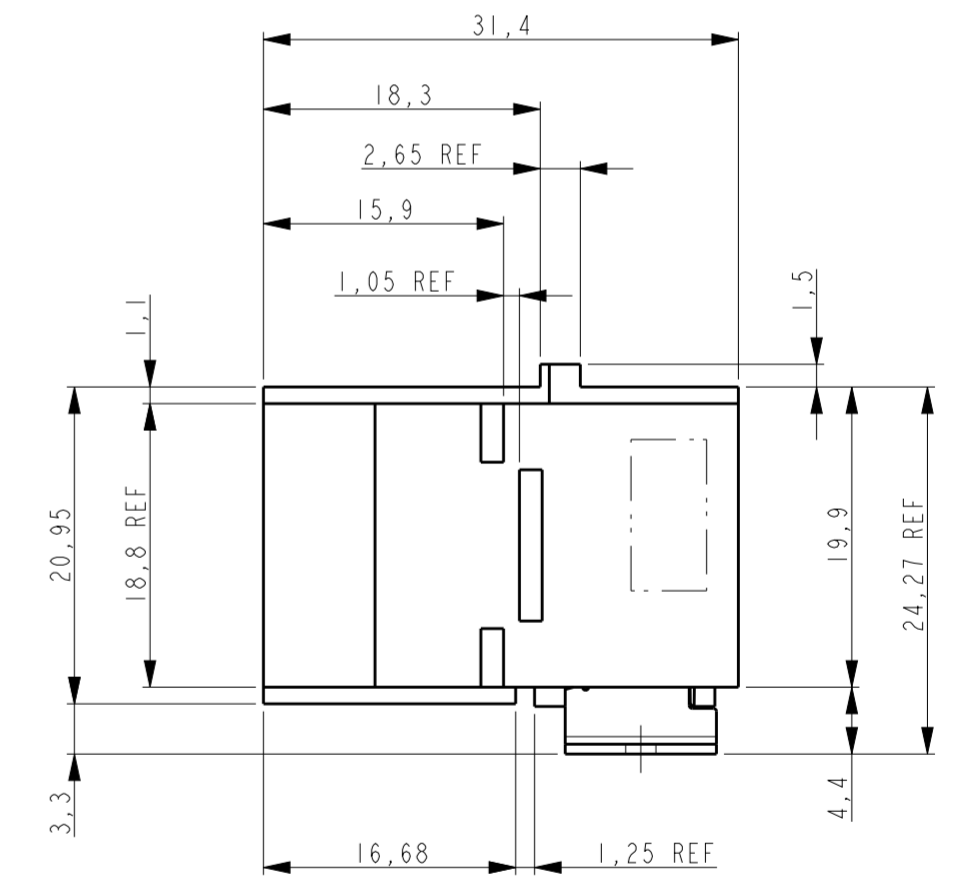
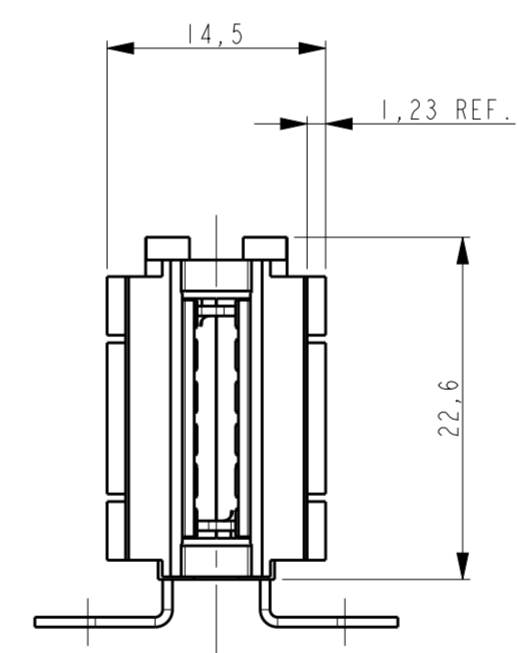
THE REFERENCE CONSTRUCTION  
P/N: 1982995-1/-2

THE REFERENCE CONSTRUCTION  
P/N: 1982995-3/-4

PCB, BUSBAR-CONDUCTORS,  
SCREWS AND NUTS IN THESE VIEWS  
ARE SHOWN FOR REFERENCE ONLY.



- NOTES:
- 1 PLATING: 1,2µm MIN. NICKEL UNDERLAYER ALLOVER.  
3,0µm MIN. TIN IN INDICATED AREA.
  - 2 PRINT AREA FOR PART NUMBER AND DATE CODE.
  - 3 PLATING: 1,2µm MIN. NICKEL UNDERLAYER ALLOVER.  
3,0µm MIN. SILVER IN INDICATED AREA.
  - 4 MATERIAL:  
POWER CONTACT: COPPER ALLOY  
CLIP: STAINLESS STEEL  
HOUSING: PBT, BLACK, UL94V-0 FLAMMABILITY RATED.



| PLATING | DESCRIPTION   | PART NUMBER |
|---------|---|-------------|
| 1       | CROWN CLIP JUNIOR W/ CUTOFF FEATURE, SILVER PLATING | 1982995-4   |
| 2       | CROWN CLIP JUNIOR W/ CUTOFF FEATURE, TIN PLATING    | 1982995-3   |
| 3       | CROWN CLIP JUNIOR, SILVER PLATING                   | 1982995-2   |
| 4       | CROWN CLIP JUNIOR, TIN PLATING                      | 1982995-1   |

THIS DRAWING IS A CONTROLLED DOCUMENT.

|             |  |                  |             |           |
|-------------|--|------------------|-------------|-----------|
| DIMENSIONS: | TOLERANCES UNLESS OTHERWISE SPECIFIED: | DWN              | J. VOS      | 13-Feb-08 |
| mm          | 0 PLC ±                                | CHK              | R. DAAMEN   | 13-Feb-08 |
|             | 1 PLC ±0,3                             | APVD             | R. VD SANDT | -         |
|             | 2 PLC ±0,15                            | PRODUCT SPEC     | 108-19360   |           |
|             | 3 PLC ±0,005                           | APPLICATION SPEC | 114-19128   |           |
|             | 4 PLC ±                                | WEIGHT           | -           |           |
|             | ANGLES ±2°                             | Customer Drawing |             |           |
|             | FINISH                                 | SCALE            | 2:1         | SHEET     |

NAME: PLUGGABLE BUSBAR CONNECTOR SCREW MOUNT VERSION CROWN CLIP JUNIOR

SIZE: A2 CAGE CODE: - DRAWING NO: C-1982995 RESTRICTED TO: -

Customer Drawing SCALE 2:1 SHEET 1 OF 1 REV A9

RECOMMENDED PCB LAY-OUT  
THICKNESS: 1,5 mm Min.

# Mouser Electronics

Authorized Distributor

Click to View Pricing, Inventory, Delivery & Lifecycle Information:

[TE Connectivity:](#)

[1982995-2](#)