

16 bits, Fixed-point Digital Signal Processor

μ PD77016 is a 16 bits fixed-point DSP (Digital Signal Processor) developed for digital signal processing with its demand for high speed and precision.

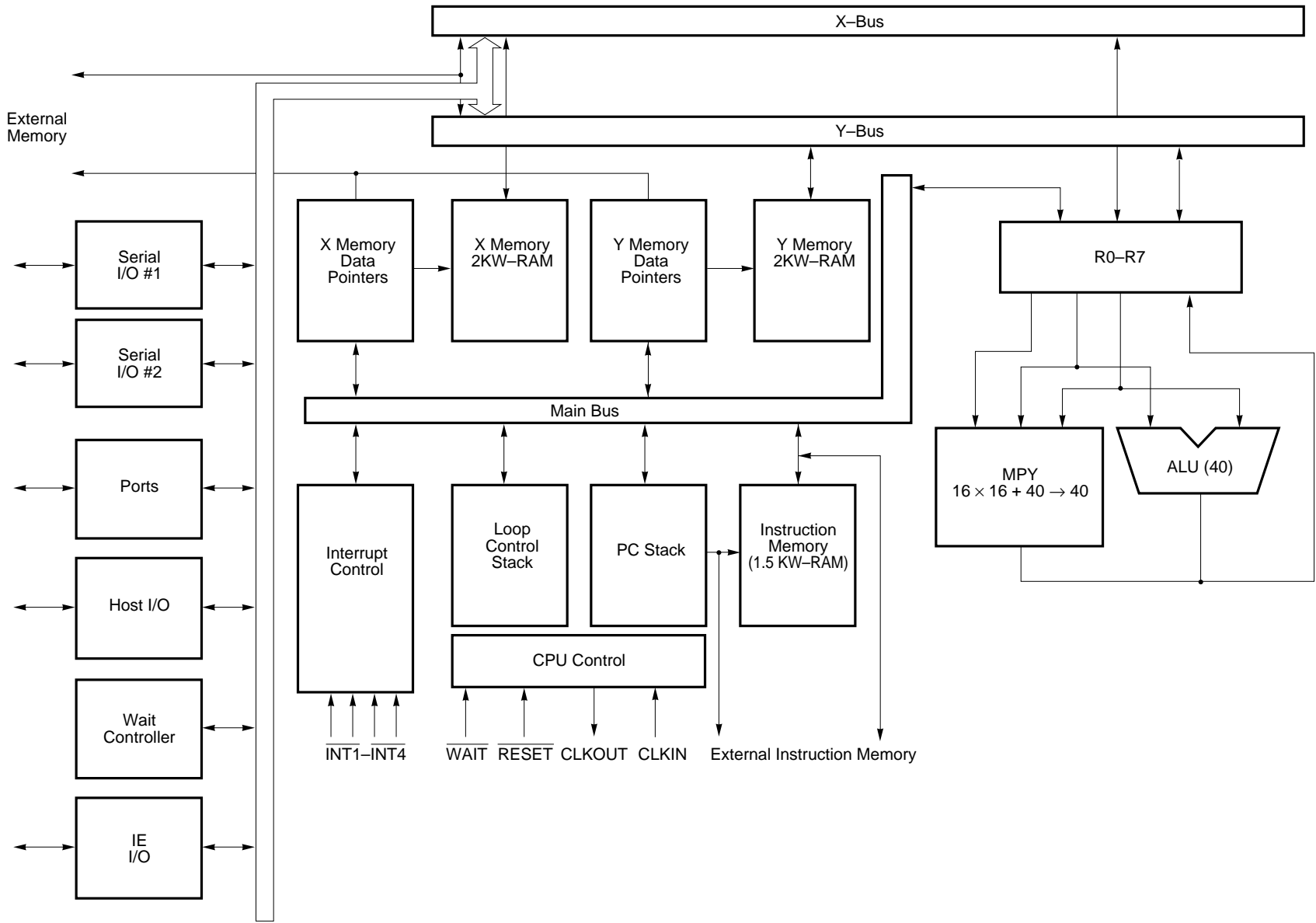
FEATURES

- FUNCTIONS
 - Instruction cycle: 30 ns (MIN.) with 33 MHz clock
 - Dual load/store
 - Hardware loop function
 - Conditional execution
 - Executes product-sum operation in one instruction cycle
- PROGRAMMING
 - 16 bits \times 16 bits + 40 bits \rightarrow 40 bits multiply accumulator
 - 8 general registers (40 bits each)
 - 8 ROM/RAM data pointer: each data memory area has 4 registers
 - 10 source interrupts (external: 4, internal: 6)
 - 3 operand instructions (example: $R0 = R0 + R1L * R2L$)
 - Nonpipeline on execution stage
- MEMORY AREAS
 - Program memory area: 64K words \times 32 bits
 - Two independent data memory areas: 64K words \times 16 bits (X/Y memory)
- ON-CHIP PERIPHERAL
 - I/O port: 4 bits
 - Serial I/O (16 bits): 2 channels
- CMOS
- +5 V single power supply

ORDERING INFORMATION

Part Number	Package
μ PD77016GM-KMD	160-pin plastic QFP (FINE PITCH) (24 \times 24 mm)

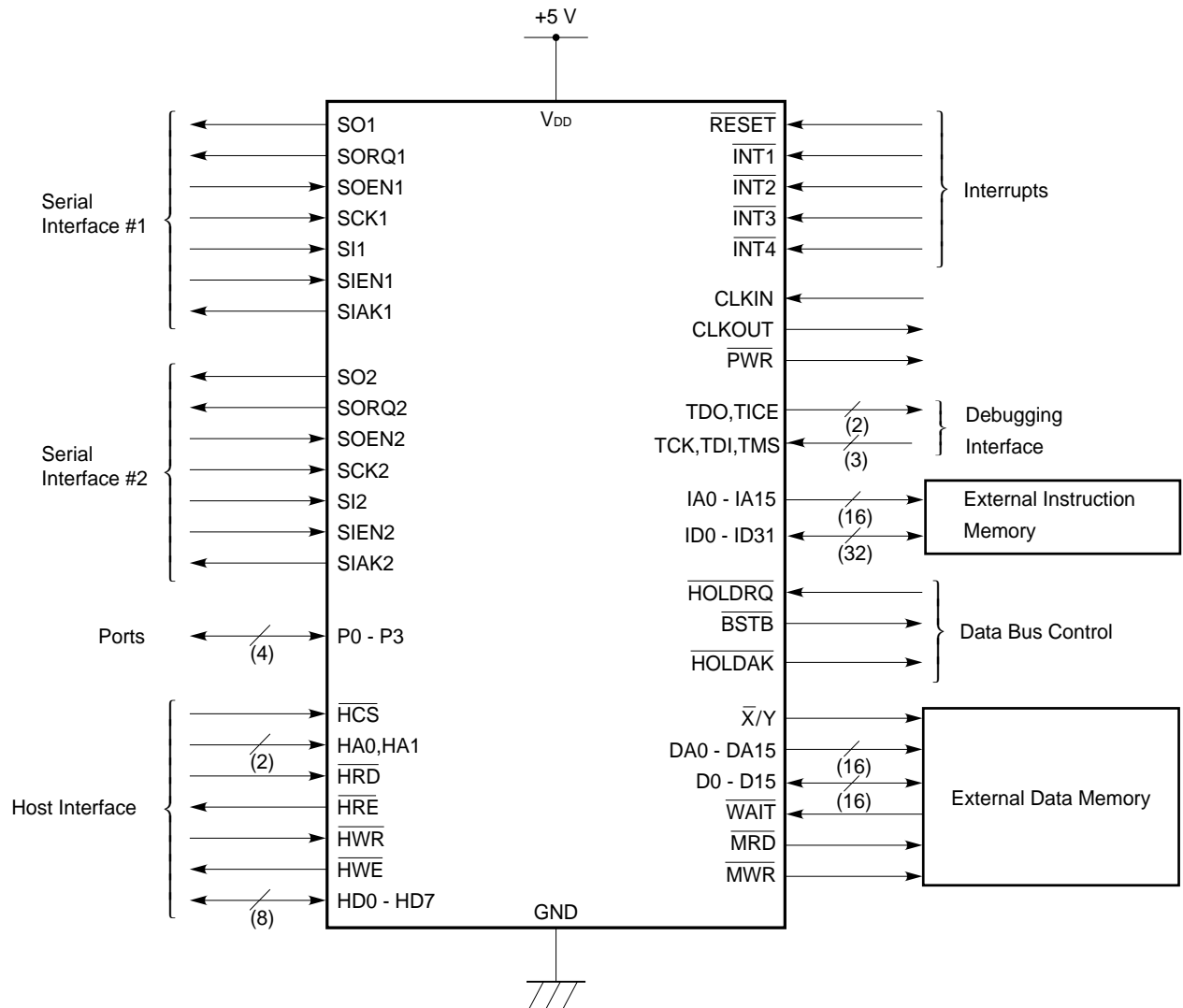
The information in this document is subject to change without notice.



BLOCK DIAGRAM

Phase-out/Discontinued

FUNCTIONAL PIN GROUPS



★ Functional Differences among the μ PD7701 \times Family

Item	μ PD77016	μ PD77015	μ PD77017	μ PD77018	μ PD77018A	μ PD77019	μ PD77019-013
Internal instruction RAM	1.5K words	256 words				4K words	
Internal instruction ROM	None	4K words	12K words	24K words		None	
External instruction memory	48K words	None					
Data RAM (X/Y memory)	2K words each	1K words each	2K words each	3K words each			
Data ROM (X/Y memory)	None	2K words each	4K words each	12K words each			None
External data memory	48K words each	16K words each					
Instruction cycle (Maximum operation speed)	30 ns (33 MHz)				16.6 ns (60 MHz)		
External clock (at maximum operation speed)	66 MHz	33/16.5/8.25/4.125 MHz Variable multiple rate (1, 2, 4, 8) by mask option.			60/30/20/15/7.5 MHz Variable multiple rate (1, 2, 3, 4, 8) by mask option.		15 MHz Multiple rate is fixed to 4.
Crystal (at maximum operation speed)	–	33 MHz			60 MHz		–
Instruction	–	STOP instruction is added.					
Serial interface (2 Channels)	Channel 1 has the same functions as channel 2.	Channel 1 has the same functions as that of the μ PD77016. Channel 2 has no SORQ2 or SIAK2 pin (Channel 2 is used for CODEC connection).					
Power supply	5V	3 V					
Package	160-pin plastic QFP	100-pin plastic TQFP			100-pin plastic TQFP 116-pin plastic BGA	100-pin plastic TQFP	

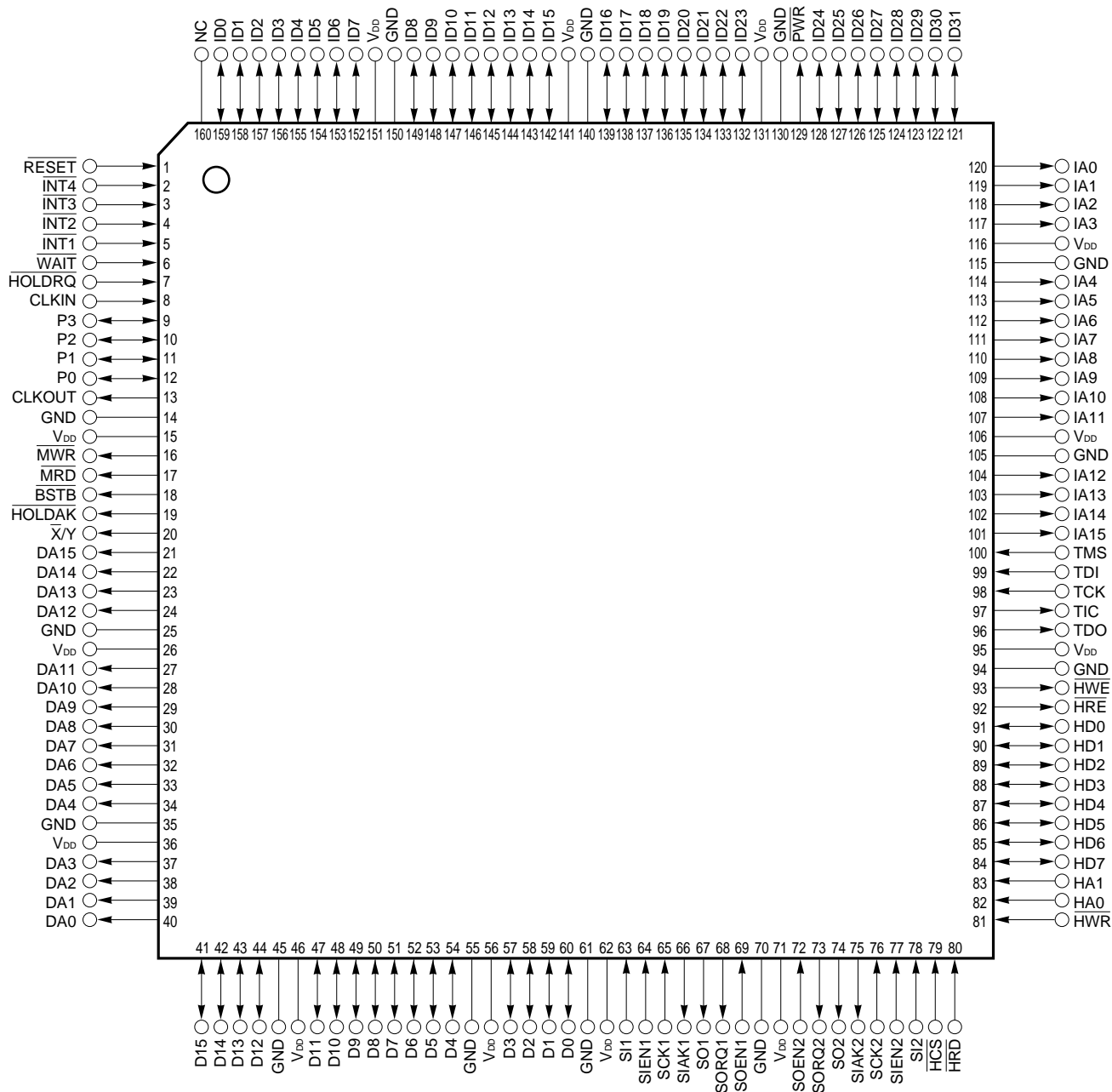
Remark The μ PD77019-013 internal ROM area is masked already by the void code to use as RAM based DSP without mask code ordering process.

Phase-out/Discontinued

PIN CONFIGURATION

μPD77016GM-KMD

160-pin plastic QFP (FINE PITCH) (24 × 24 mm) (Top View)



PIN IDENTIFICATION

$\overline{\text{BSTB}}$:	Bus Strobe
CLKIN:	Clock Input
CLKOUT:	Clock Output
D0-D15:	16 Bits Data Bus
DA0-DA15:	External Data Memory Address Bus
GND:	Ground
HA0,HA1:	Host Data Access
$\overline{\text{HCS}}$:	Host Chip Select
HD0-HD7:	Host Data Bus
$\overline{\text{HOLDAK}}$:	Hold Acknowledge
$\overline{\text{HOLDRQ}}$:	Hold Request
$\overline{\text{HRD}}$:	Host Read
$\overline{\text{HRE}}$:	Host Read Enable
$\overline{\text{HWE}}$:	Host Write Enable
HWR:	Host Write
IA0-IA15:	Instruction Memory Address Output
ID0-ID31:	Instruction Data Input
$\overline{\text{INT1}}-\overline{\text{INT4}}$:	Interrupt
$\overline{\text{MRD}}$:	Memory Read Output
$\overline{\text{MWR}}$:	Memory Write Output
N.C:	No Connection
P0-P3:	Port
$\overline{\text{PWR}}$:	Program Memory Write Strobe
RESET:	Reset
SCK1,SCK2:	Serial Clock Input
SI1,SI2:	Serial Data Input
SIACK1,SIACK2:	Serial Input Acknowledge
SIEN1,SIEN2:	Serial Input Enable
SO1,SO2:	Serial Data Output
SOEN1,SOEN2:	Serial Output Enable
SORQ1,SORQ2:	Serial Output Request
TCK:	Test Clock Input
TDI:	Test Data Input
TDO:	Test Data Output
TICE:	Test In-Circuit Emulator
TMS:	Test Mode Select
V_{DD} :	Power Supply
$\overline{\text{WAIT}}$:	Wait Input
$\overline{\text{X/Y}}$:	X/Y Memory Select

Pin No.	Symbol	Pin No.	Symbol	Pin No.	Symbol	Pin No.	Symbol
1	RESET	41	D15	81	HWR	121	ID31
2	INT4	42	D14	82	HA0	122	ID30
3	INT3	43	D13	83	HA1	123	ID29
4	INT2	44	D12	84	HD7	124	ID28
5	INT1	45	GND	85	HD6	125	ID27
6	WAIT	46	V _{DD}	86	HD5	126	ID26
7	HOLDRQ	47	D11	87	HD4	127	ID25
8	CLKIN	48	D10	88	HD3	128	ID24
9	P3	49	D9	89	HD2	129	PWR
10	P2	50	D8	90	HD1	130	GND
11	P1	51	D7	91	HD0	131	V _{DD}
12	P0	52	D6	92	HRE	132	ID23
13	CLKOUT	53	D5	93	HWE	133	ID22
14	GND	54	D4	94	GND	134	ID21
15	V _{DD}	55	GND	95	V _{DD}	135	ID20
16	MWR	56	V _{DD}	96	TDO	136	ID19
17	MRD	57	D3	97	TICE	137	ID18
18	BSTB	58	D2	98	TCK	138	ID17
19	HOLDAK	59	D1	99	TDI	139	ID16
20	X/Y	60	D0	100	TMS	140	GND
21	DA15	61	GND	101	IA15	141	V _{DD}
22	DA14	62	V _{DD}	102	IA14	142	ID15
23	DA13	63	SI1	103	IA13	143	ID14
24	DA12	64	SIEN1	104	IA12	144	ID13
25	GND	65	SCK1	105	GND	145	ID12
26	V _{DD}	66	SIK1	106	V _{DD}	146	ID11
27	DA11	67	SO1	107	IA11	147	ID10
28	DA10	68	SORQ1	108	IA10	148	ID9
29	DA9	69	SOEN1	109	IA9	149	ID8
30	DA8	70	GND	110	IA8	150	GND
31	DA7	71	V _{DD}	111	IA7	151	V _{DD}
32	DA6	72	SOEN2	112	IA6	152	ID7
33	DA5	73	SORQ2	113	IA5	153	ID6
34	DA4	74	SO2	114	IA4	154	ID5
35	GND	75	SIK2	115	GND	155	ID4
36	V _{DD}	76	SCK2	116	V _{DD}	156	ID3
37	DA3	77	SIEN2	117	IA3	157	ID2
38	DA2	78	SI2	118	IA2	158	ID1
39	DA1	79	HCS	119	IA1	159	ID0
40	DA0	80	HRD	120	IA0	160	NC

CONTENTS

1. PIN FUNCTIONS 9

1.1 Pin Functions 9

1.2 Recommended Connection for Unused Pins 14

2. FUNCTIONS 15

2.1 Pipeline Processing 15

 2.1.1 Outline 15

 2.1.2 Instructions with Delay 15

2.2 Program Control Unit 16

2.3 Operation Unit 16

 2.3.1 General register (R0 to R7) 16

 2.3.2 MAC: Multiply ACcumulator 17

 2.3.3 ALU: Arithmetic Logic Unit 17

 2.3.4 BSFT: Barrel ShiFTer 17

 2.3.5 SAC: Shifter And Count Circuit 17

 2.3.6 CJC: Condition Judge Circuit 17

2.4 Memory 18

 2.4.1 Instruction RAM Outline 19

 2.4.2 Data Memory Outline 19

 2.4.3 Data Memory Addressing 19

2.5 On-chip Peripheral Circuit 20

 2.5.1 Serial Interface Outline 20

 2.5.2 Host Interface Outline 20

 2.5.3 General Input/output Ports Outline 20

 2.5.4 Wait Cycle Register 20

3. INSTRUCTIONS 21

3.1 Outline 21

3.2 Instruction Set and Operation 22

4. ELECTRICAL SPECIFICATIONS 29

5. PACKAGE DRAWING 50

6. RECOMMENDED SOLDERING CONDITIONS 51

1. PIN FUNCTIONS

1.1 Pin Functions

• Power supply

Symbol	Pin No.	I/O	Function
V _{DD}	15, 26, 36, 46, 56, 62, 71, 95, 106, 116, 131, 141, 151	–	+5V power supply
GND	14, 25, 35, 45, 55, 61, 70, 94, 105, 115, 130, 140, 150	–	Ground

• System control

Symbol	Pin No.	I/O	Function
CLKIN	8	I	External clock input
CLKOUT	13	O	Internal system clock output
RESET	1	I	Internal system reset signal input

• Interrupt

Symbol	Pin No.	I/O	Function
$\overline{\text{INT4}} - \overline{\text{INT1}}$	2, 3, 4, 5	I	Maskable external interrupt input • Falling edge detection

• External data memory interface

Symbol	Pin No.	I/O	Function
$\overline{X/Y}$	20	O (3S)	Memory select signal output <ul style="list-style-type: none"> • 0: X memory is used. • 1: Y memory is used.
DA15 - DA0	Note 1.	O (3S)	Address bus to external data memory <ul style="list-style-type: none"> • External data memory is accessed. • During the external memory is not accessed, these pins keep the previous level. These pins are set to low level; 0x0000, by reset. They continue outputting low level until the first external memory access.
D15 - D0	Note 2.	I/O (3S)	16 bits data bus to external data memory <ul style="list-style-type: none"> • External data memory is accessed.
\overline{MRD}	17	O (3S)	Read output <ul style="list-style-type: none"> • Reads external memory
\overline{MWR}	16	O (3S)	Write output <ul style="list-style-type: none"> • Writes external memory
\overline{WAIT}	6	I	Wait signal input <ul style="list-style-type: none"> • Wait cycle is input when external memory is read. 1: No wait 0: Wait
\overline{HOLDRQ}	7	I	Hold request signal input <ul style="list-style-type: none"> • Input low level when external data memory bus is expected to use.
\overline{BSTB}	18	O	Bus strobe signal output <ul style="list-style-type: none"> • Outputs low level while the μPD77016 is occupying external memory bus.
\overline{HOLDAK}	19	O	Hold acknowledge signal output <ul style="list-style-type: none"> • Outputs low level when the μPD77016 permits external device to use external data memory bus.

Note 1. DA15 to DA0 pins are located on Pin No. 21 - 24, 27 - 34, 37 - 40.

Note 2. D15 to D0 pins are located on Pin No. 41 - 44, 47 - 54, 57 - 60.

★ **Remark** The state of the pins added 3S becomes high impedance when the external memory is not accessed or bus release signal ($\overline{HOLDAK} = 0$) is output.

• Serial interface

Symbol	Pin No.	I/O	Function
SCK1	65	I	Clock input for serial 1
SORQ1	68	O	Serial output 1 request
SOEN1	69	I	Serial output 1 enable
SO1	67	O (3S)	Serial data output 1
SIEN1	64	I	Serial input 1 enable
SI1	63	I	Serial data input 1
SCK2	76	I	Clock input for serial 2
SORQ2	73	O	Serial output 2 request
SOEN2	72	I	Serial output 2 enable
SO2	74	O (3S)	Serial data output 2
SIEN2	77	I	Serial input 2 enable
SI2	78	I	Serial data input 2
SIAK1	66	O	Serial input 1 acknowledge
SIAK2	75	O	Serial input 2 acknowledge

Remark The state of the pins added 3S becomes high impedance, when data output have been finished or $\overline{\text{RESET}}$ is input.

• Host interface

Symbol	Pin No.	I/O	Function
HA1	83	I	Specifies register which HD7 to HD0 access 1: Accesses HST: Host interface status register when HA1 = 0 0: Accesses HDT _(out) : Host transmit data register when $\overline{HRD} = 0$ 0: Accesses HDT _(in) : Host receive data register when $\overline{HWR} = 0$
HA0	82	I	Specifies bits of registers which HD7 to HD0 access • 1: Accesses bits 15-8 of HST, HDT (out), HDT (in) • 0: Accesses bits 7-0 of HST, HDT (out), HDT (in)
\overline{HCS}	79	I	Chip select input
\overline{HRD}	80	I	Host read input
\overline{HWR}	81	I	Host write input
\overline{HRE}	92	O	Host read enable output
\overline{HWE}	93	O	Host write enable output
HD7 - HD0	84 - 91	I/O (3S)	8 bits host data bus

Remark The state of the pins added 3S becomes high impedance when the host does not access host interface.

• I/O port

Symbol	Pin No.	I/O	Function
P3 - P0	9 - 12	I/O	I/O port

- External instructions memory interface

Symbol	Pin No.	I/O	Function
IA15 - IA0	Note 1.	O (3S)	Address bus to external instruction memory <ul style="list-style-type: none"> • Even the internal instruction memory is accessed, the address is output to the external instruction memory. In this case, the μPD77016 ignores data of external instruction memory output.
ID31 - ID0	Note 2.	I/O (3S)	32 bits instruction input
$\overline{\text{PWR}}$	129	O (3S)	Program memory write strobe <ul style="list-style-type: none"> • Write strobe for external instruction memory. This pin loads program to external instruction memory (not internal memory) while μPD77016 is in boot operation.

Note 1. IA15 to IA0 pins are located on these pins: 101 to 104, 107 to 114, 117 to 120

2. ID31 to ID0 pins are located on these pins: 121 to 128, 132 to 139, 142 to 149, 152 to 159

Remark The state of the pins added 3S becomes high impedance when $\overline{\text{RESET}}$ is input.

- Debugging interface

Symbol	Pin No.	I/O	Function
TDO	96	O	For debugging
TICE	97	O	For debugging
TCK	98	I	For debugging
TDI	99	I	For debugging
TMS	100	I	For debugging

1.2 Recommended Connection for Unused Pins

Pin	I/O	Recommended connection
$\overline{\text{INT1}} - \overline{\text{INT4}}$	I	connect to V_{DD}
$\overline{X}/\overline{Y}$	O	open
DA0 - DA15	O	
D0 - D15 ^{Note 1}	I/O	connect to V_{DD} or GND, via a resistor
$\overline{\text{MRD}}, \overline{\text{MWR}}$	O	open
$\overline{\text{WAIT}}$	I	connect to V_{DD}
$\overline{\text{HOLDRQ}}$	I	
$\overline{\text{BSTB}}$	O	open
$\overline{\text{HOLDAK}}$	O	
SCK1, SCK2	I	connect to V_{DD} or GND
SI1, SI2	I	
SOEN1, SOEN2	I	connect to GND
SIEN1, SIEN2	I	
SORQ1, SORQ2	O	open
SO1, SO2	O	
SIK1, SIK2	O	
HA0, HA1	I	connect to V_{DD} or GND
$\overline{\text{HCS}}$	I	connect to V_{DD}
$\overline{\text{HRD}}, \overline{\text{HWR}}$	I	
$\overline{\text{HRE}}, \overline{\text{HWE}}$	O	open
HD0 - HD7 ^{Note 2}	I/O	connect to V_{DD} or GND, via a resistor
P0 - P3	I/O	
ID0 - ID31	I/O	
IA0 - IA15	O	open
$\overline{\text{PWR}}$	O	
TCK	I	connect to GND, via a resistor
TDO, TICE	O	open
TMS, TDI	I	open(pull-up internally)
CLKOUT	O	open

Notes 1. Can leave open, if no access to external data memory is executed in the whole of program.

★ But in the HALT mode when the current consumption is reduced, connect a pin as recommended connection.

2. Can leave open, if $\overline{\text{HCS}}, \overline{\text{HRD}}, \overline{\text{HWR}}$ are fixed to high level.

★ But in the HALT mode when the current consumption is reduced, connect a pin as recommended connection.

Remark I: Input pin, O: Output pin, I/O: Input/Output pin

2. FUNCTIONS

2.1 Pipeline Processing

This section describes the μPD77016 pipeline processing.

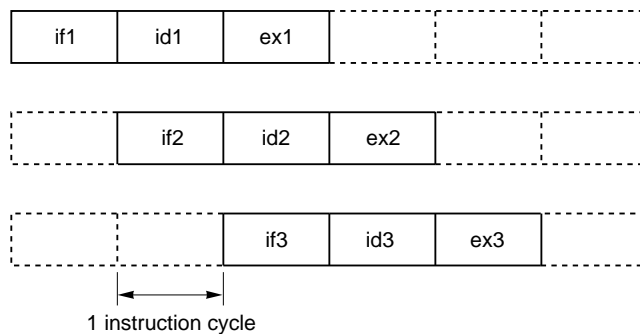
2.1.1 Outline

The μPD77016 basic operations are executed in following 3-stage pipeline.

- (1) instruction fetch; if
- (2) Instruction decoding; id
- (3) execution; ex

When the μPD77016 operates a result of a instruction just executed before, the data is input to ALU in parallel with written back to general registers. Pipeline processing actualizes programming without delay time to execute instructions and write back data. Three successive instructions and their processing timing are shown below.

Pipeline Processing Timing



2.1.2 Instructions with Delay

The following instructions have delay time in execution.

- (1) Instructions to control interrupt
2 instruction cycles have been taken between instruction fetch and execution.
- (2) Inter-register transfer instructions and immediate data set instructions
When data is set in data pointer, it needs 2 instruction cycles before the data is valid.

2.2 Program Control Unit

Program control unit controls not only count up of program counter in normal operation, but loop, repeat, branch, halt and interrupt.

In addition to loop stack of loop 4 level and program stack of 15 level, software stack can be used for multi-loop and multi-interrupt/subroutine call.

The μPD77016 has external 4 interruptions and internal 6 interruptions from peripheral, and specifies interrupt enable or disable independently.

The HALT instruction causes the μPD77016 to place in low power standby mode.

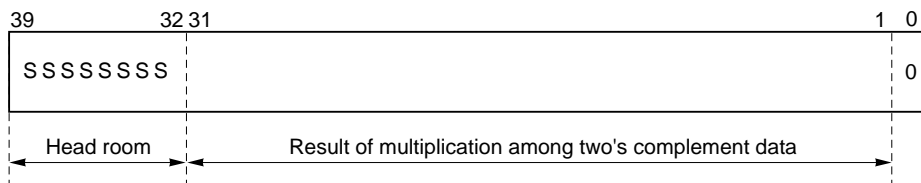
When the HALT instruction is executed, power consumption decreases. HALT mode is released by interrupt input or hardware reset input. It takes several system clock to recover.

2.3 Operation Unit

Operation unit consists of the following five parts.

- 40 bits general register × 8 for data load/store and input/output of operation data
- 16 bits × 16 bits + 40 bits → 40 bits multiply accumulator
- 40 bits Data ALU
- 40 bits barrel shifter
- SAC: shifter and count circuit.

Standard word length is 40 bits to make overflow check and adjustment easy, and to accumulate the result of 16 bits × 16 bits multiplication correctly.



2.3.1 General register (R0 to R7)

The μPD77016 has eight 40 bits registers for operation input/output and load/store with memory. General register consists of the following three parts.

- R0L to R7L (bit 15 to bit 0)
- R0H to R7H (bit 31 to bit 16)
- R0E to R7E (bit 39 to bit 32)

But each of RnL, RnH and RnE are treated as a register in the following conditions.

(1) General register used as 40 bits register

General registers are treated as 40 bits register, when they are used for the following aims.

- (a) Operand for triminal operation (except for multiplier input)
- (b) Operand for dyadic operation (except for multiplier and shift value)
- (c) Operand for monadic operation (except for exponent instructions)
- (d) Operand for operation
- (e) Operand for conditional judge
- (f) Destination for load instruction (with sign extension and 0 clear)

(2) General register used as 32 bits register

Bit 31 to bit 0 of general register are treated as 32 bits register, when it is used for a operand of exponent instruction.

(3) General register used as 24 bits register

Bit 39 to bit 16 of general register are treated as 24 bits register, when it is used for destination with extended sign for a load/store instruction.

(4) General register used as 16 bits register

Bit 31 to bit 16 of general register are treated as 16 bits register, when it is used for the following aims.

- (a) Signed operand for multiplier
- (b) Source/destination for load/store instruction

Bit 15 to bit 0 of general register are treated as 16 bits register, when it is used for the following aims.

- (c) Unsigned operand for multiplier
- (d) Shift value for shift instruction
- (e) Source/destination for load/store instruction
- (f) Source/destination for inter-register transfer instruction
- (g) Destination for immediate data set instruction
- (f) Hardware loop times

(5) General register used as 8 bits register

Bit 39 to bit 32 of general register are treated as 8 bits register, when it is used for source/destination of load/store instruction.

2.3.2 MAC: Multiply ACcumulator

MAC multiplies a pair of 16 bits data, and adds or subtract the result and 40 bits data. MAC outputs 40 bits data.

MAC operates three types of multiplication: signed data \times signed data, signed data \times unsigned data and unsigned data \times unsigned data.

Result of multiplication and 40 bits data for addition can be added after 1 or 16 bits arithmetic shift right.

2.3.3 ALU: Arithmetic Logic Unit

ALU performs arithmetic operation and logic operation. Both input/output data are 40 bits.

2.3.4 BSFT: Barrel ShiFTer

BSFT performs shift right/left operation. Both input/output data are 40 bits. There are two types of shift right operations; arithmetic shift right which sign is extended, and logic shift right which is input 0 in MSB first.

2.3.5 SAC: Shifter And Count Circuit

SAC calculates and outputs shift value for normalization. SAC is input 32 bits data and outputs the 40 bits data. Then, bit 39 to bit 5 of output data is always 0.

2.3.6 CJC: Condition Judge Circuit

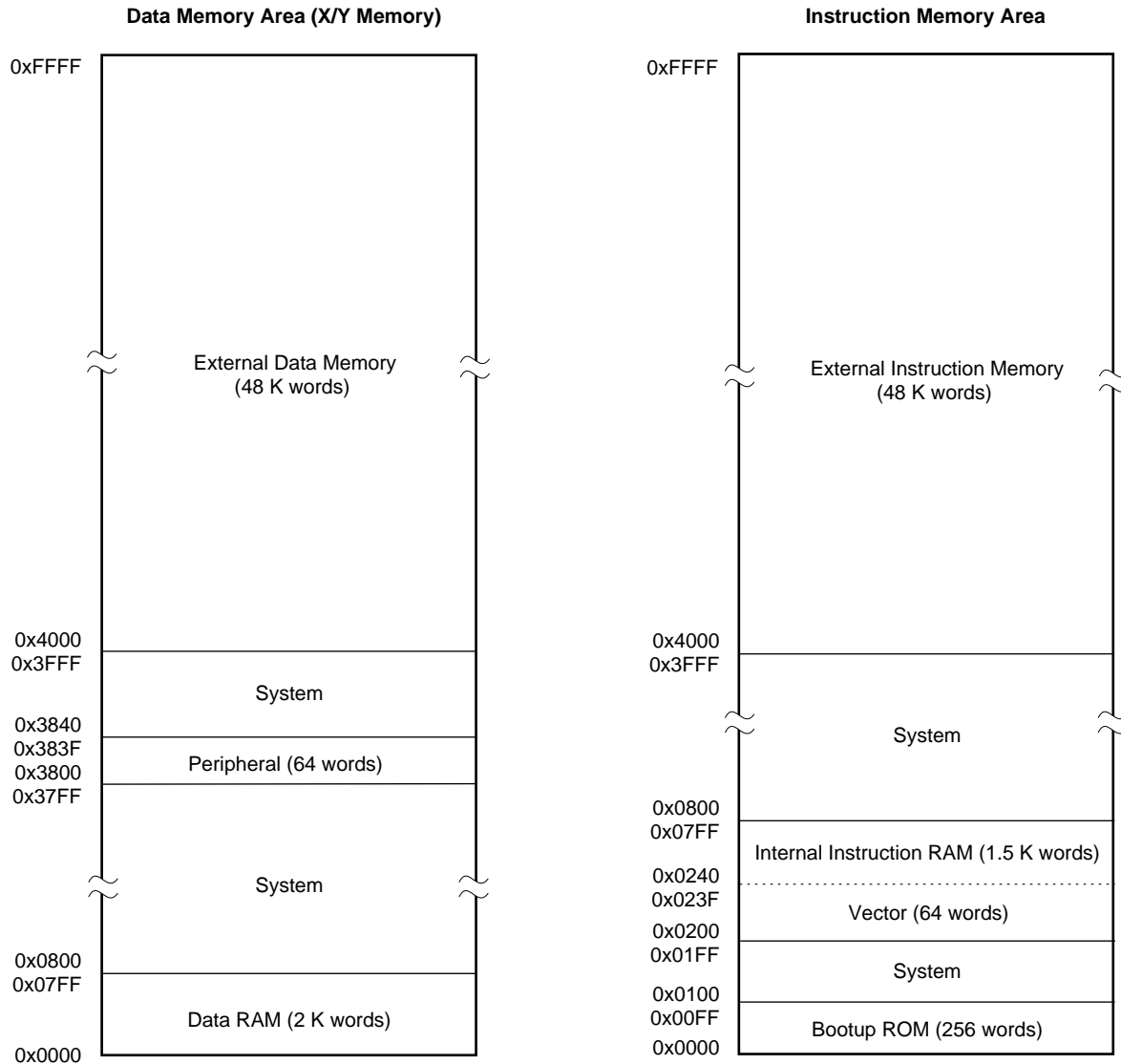
CJC judges whether condition is true or false with 40 bits input data. A conditional instruction is executed when the result is true, and not executed when the result is false.

2.4 Memory

The μPD77016 has one instruction memory area (64K words × 32 bits) and two data memory areas (64K words × 16 bits each). It adopts Harvard-type architecture, with instruction memory area and data memory areas separated.

The μPD77016 has 2 sets of data addressing units, which are dedicated for addressing data memory area. Each addressing unit consists of four data pointers, four index registers, a modulo register and addressing ALU. Memory areas are shown below.

X memory area addresses are specified by DP0 to DP3, and Y memory area addresses are specified by DP4 to DP7. After memory access, DPn (with the same subscript), can be modified by DNn value. Modulo operation is performed with DMX for DP0 to DP3, with DMY for DP4 to DP7.



Caution When any data is accessed or stored to system address, normal operation of the μPD77016 is not assured.

2.4.1 Instruction RAM Outline

The μ PD77016 has an instruction RAM (1.5 words \times 32 bits). A system vector area is assigned to 64 words of the instruction RAM. Internal RAM is initialized and rewritten by boot program.

Additionally external memory expansion is available as the μ PD77016 has interface with the external instruction memory. When RAM is used as the external memory, it can be initialized and rewritten by boot program.

Boot up ROM contains the program loading instruction code to internal and external instruction RAM.

When the external instruction memory area is accessed, instruction cycle can be 2 or more by wait function.

2.4.2 Data Memory Outline

The μ PD77016 has two data memory areas (64 words \times 16 bits each) in X and Y memory areas.

Each memory areas consists of 2K words \times 16 bits data RAM. Additionally, data memory expansion is available as the μ PD77016 has interface with the external data memory.

Each data memory area includes on-chip peripheral area which consists of 64 words.

When the external data memory area is accessed, instruction cycle can be 2 or more by wait function.

2.4.3 Data Memory Addressing

There are following two types of data memory addressing.

- Direct addressing

The address is specified in the instruction field.

- Indirect addressing

The address is specified by the data pointer (DP). DP can get a bit reverse before addressing. It can update the DP value after accessing data memory.

2.5 On-chip Peripheral Circuit

The μPD77016 includes serial interface, host interface, general input/output ports and wait cycle registers. They are mapped in both X and Y memory areas, and are accessed as memory mapped I/O by the μPD77016 CPU.

2.5.1 Serial Interface Outline

The μPD77016 has 2 channel serial interfaces. Serial I/O clock must be provided from external. Frame length can be programmed independently to be 8 bits or 16 bits. MSB first or LSB first can also be selected. Data is input/output by hand shaking for an external device, and by interrupts, polling or wait function in internal.

2.5.2 Host Interface Outline

The μPD77016 has 8 bits parallel ports as host interface to input/output data to and from host CPU and DMA controller. When an external device accesses host interface, HA0 and HA1 pins; which are host address input pins; specifies bit 15 to bit 8 and bit 7 to bit 0. The μPD77016 includes 3 registers consisting of 16 bits, which are dedicated for input data, output data and status. The μPD77016 has three types of interface method for internal and external data; interrupts, polling and wait function.

2.5.3 General Input/output Ports Outline

General input/output ports consist of 4 bits. User can set each port as input or output. The μPD77016 includes two registers. One is 4 bits register for input/output data, and the other is 16 bits for control.

2.5.4 Wait Cycle Register

The wait cycle registers consist of 16 bits. It is used to set wait cycle number when external memory is accessed. 0, 1, 3, or 7 wait cycle can be set in every data area which is divided into 8, and in every X and Y memory area which is divided into 4.

When data area is accessed, wait cycle can be also set by $\overline{\text{WAIT}}$ pin.

3. INSTRUCTIONS

3.1 Outline

All μPD77016 instructions are one-word instructions, consisting of 32 bits. And they are executed in 30 ns (min.) per instruction. There are following 9 instruction types.

(1) Trinomial instructions

: specify the Acc operation. 3 of general registers are specified optionally as the operation object.

(2) Dyadic operation instructions

: specify the Acc, ALU or shifter operation. 2 of general registers are specified optionally as the operation object. Some instructions can specify a general register and immediate data.

(3) Monadic operation instructions

: specify operations by ALU. 1 general register is specified optionally as the operation object.

(4) Load/store instructions

: transfer 16 bits data from memory to general registers, from general registers to memory and between general registers.

(5) Inter-register transfer instructions

: transfer data between general register and other registers.

(6) Immediate data set instructions

: set immediate data at general registers or each registers of address operation unit.

(7) Branch instructions

: specify the direction of the program flow.

(8) Hardware loop instructions

: specify times of instruction repeating.

(9) Control Instructions

: specify the control program.

3.2 Instruction Set and Operation

An operation is written according to the rules for expressing. An expression of instructions having two or more descriptions can have only one selected.

(a) Expressions and selectable registers

Expression and selectable registers are shown as follows.

Expression	Selectable registers
ro, ro', ro"	R0 - R7
rl, rl'	R0L - R7L
rh, rh'	R0H - R7H
re	R0E - R7E
reh	R0EH - R7EH
dp	DP0 - DP7
dn	DN0 - DN7
dm	DMX, DMY
dpx	DP0 - DP3
dpy	DP4 - DP7
dpx_mod	DPn, DPn++, DPn--, DPn##, DPn%%, !DPn## (n = 0 - 3)
dpy_mod	DPn, DPn++, DPn--, DPn##, DPn%%, !DPn## (n = 4 - 7)
dp_imm	DPn##imm (n = 0 - 7)
*xxx	content of memory address xxx Example When the content of DP0 register is 1000, *DP0 shows the content of memory address 1000.

(b) Modifying data pointers

Data pointers are modified after memory access. The results are valid immediately after instruction execution. It is impossible to modify without memory access.

Description	Operation
DPn	No operation: DPn value does not change.
DPn++	$DPn \leftarrow DPn+1$
DPn--	$DPn \leftarrow DPn-1$
DPn##	$DPn \leftarrow DPn + DNn$: Adds DN0-DN7 corresponding to DP0-DP7 Example $DP0 \leftarrow DP0 + DN0$
DPn%%	$(n = 0 - 3) \quad DPn = ((DP_L + DNn) \bmod (DMX + 1)) + DP_H$
	$(n = 4 - 7) \quad DPn = ((DP_L + DNn) \bmod (DMY + 1)) + DP_H$
!DPn##	Access memory after DPn value is bit-reversed After memory access, $DPn \leftarrow DPn + DNn$
DPn##imm	$DPn \leftarrow DPn + imm$

(c) Concurrent processing instructions

○ shows concurrent processing instruction.

Instruction names are shown in abbreviation.

- TRI : Trinomial
- DYAD : Dyadic
- MONAD : Monadic
- TRANS : Inter-register transfer
- IMM : Immediate data set
- BR : Branch
- LOOP : Hardware loop
- CTR : Control

(d) State of Overflow flag (OV)

The following marks show the μPD77016 overflow flag state.

- : Not affected
- ↑: 1 is set when the result of operation is overflow.

Caution If overflow does not occur after operation, OV is not reset, and keeps the state before operation.

μ PD77016 INSTRUCTION SET

	Name	Mnemonic	Operation	Concurrent Writing Processing											Flag	
				TRI.	DYAD.	MONAD.	Load/ store	TRANS.	IMM.	BR.	LOOP.	CTL.	OV			
Trinomial	Multiply add	$ro = ro + rh * rh'$	$ro \leftarrow ro + rh * rh'$				○									↕
	Multiply sub	$ro = ro - rh * rh'$	$ro \leftarrow ro - rh * rh'$				○									↕
	Sign unsign Multiply add	$ro = ro + rh * rl$ (rl should be a plus integral number.)	$ro \leftarrow ro + rh * rl$				○									↕
	Unsign unsign Multiply add	$ro = ro + rl * rl'$ (rl and rl' should be a plus integral number.)	$ro \leftarrow ro + rl * rl'$				○									↕
	1 bit shift Multiply add	$ro = (ro \gg 1) + rh * rh'$	$ro \leftarrow \frac{ro}{2} + rh * rh'$				○									↕
	16 bits shift Multiply add	$ro = (ro \gg 16) + rh * rh'$	$ro \leftarrow \frac{ro}{2^{16}} + rh * rh'$				○									●
Dyadic	Multiply	$ro = rh * rh'$	$ro \leftarrow rh * rh'$				○									●
	Add	$ro' = ro + ro'$	$ro' \leftarrow ro + ro'$				○									↕
	Immediate add	$ro' = ro + imm$	$ro' \leftarrow ro + imm$ (imm 1)													↕
	Sub	$ro' = ro - ro'$	$ro' \leftarrow ro - ro'$				○									↕
	Immediate sub	$ro' = ro - imm$	$ro' \leftarrow ro - imm$ (imm 1)													↕
	Arithmetic right shift	$ro' = ro$ SRA rl	$ro' \leftarrow ro \gg rl$				○									●
	Immediate arithmetic right shift	$ro' = ro$ SRA imm	$ro' \leftarrow ro \gg imm$													●
	Logic right shift	$ro' = ro$ SRL rl	$ro' \leftarrow ro \gg rl$				○									●
	Immediate Logic right shift	$ro' = ro$ SRL imm	$ro' \leftarrow ro \gg imm$													●
	Logic left shift	$ro' = ro$ SLL rl	$ro' \leftarrow ro \ll rl$				○									●
	Immediate logic left shift	$ro' = ro$ SLL imm	$ro' \leftarrow ro \ll imm$													●

Phase-out/Discontinued

	Name	Mnemonic	Operation	Concurrent Writing Processing									Flag	
				TRI.	DYAD.	MONAD.	Load/ store	TRANS.	IMM.	BR.	LOOP.	CTL.	OV	
Dyadic	And	$ro'' = ro \& ro'$	$ro'' \leftarrow ro \& ro'$				○							●
	Immediate and	$ro' = ro \& imm$	$ro' \leftarrow ro \& imm$											●
	Or	$ro'' = ro ro'$	$ro'' \leftarrow ro ro'$				○							●
	Immediate or	$ro' = ro imm$	$ro' \leftarrow ro imm$											●
	Exclusive or	$ro'' = ro \wedge ro'$	$ro'' \leftarrow ro \wedge ro'$				○							●
	Immediate exclusive or	$ro = ro \wedge imm$	$ro \leftarrow ro \wedge imm$											●
	Less than	$ro'' = LT(ro, ro')$	if(ro<ro') {ro'' ← 0x0000000001} else {ro'' ← 0x0000000000}				○							
Monadic	Clear	CLR(ro)	$ro \leftarrow 0x0000000000$				○					○		●
	Increment	$ro' = ro + 1$	$ro' \leftarrow ro + 1$				○					○		↓
	Decrement	$ro' = ro - 1$	$ro' \leftarrow ro - 1$				○					○		↓
	Absolute	$ro' = ABS(ro)$	if (ro<0) {ro' ← -ro} else {ro' ← ro}				○					○		↓
	One's complement	$ro' = \sim ro$	$ro' \leftarrow \sim ro$				○					○		●
	Two's complement	$ro' = -ro$	$ro' \leftarrow -ro$				○					○		↓
	Clip	$ro' = CLIP(ro)$	if (ro>0x007FFFFFFF) {ro' ← 0x007FFFFFFF} else if, (ro<0xFF80000000) {ro' ← 0xFF80000000} else {ro' ← ro}				○					○		↓
	Round	$ro' = ROUND(ro)$	if (ro>0x007FFF0000) {ro' ← 0x007FFF0000} else if, (ro>0xFF80000000) {ro' ← 0xFF80000000} else {ro' ← (ro + 0x8000) & 0xFFFFF0000}				○					○		↓
	Exponent	$ro' = EXP(ro)$	$ro' \leftarrow \log_2 \left(\frac{1}{ro} \right)$				○					○		●
Substitution	$ro' = ro$	$ro' \leftarrow ro$				○					○		●	

	Name	Mnemonic	Operation	Concurrent Writing Processing										Flag	
				TRI.	DYAD.	MONAD.	Load/store	TRANS.	IMM.	BR.	LOOP.	CTL.	OV		
Monadic	Cumulation	ro'+ = ro	ro' ← ro'+ro				○						○	↕	
	Degression	ro'- = ro	ro' ← ro'-ro				○						○	↕	
	Division	ro'/ = ro	if (sign(ro')==sign(ro)) {ro' ← (ro'-ro)<<1} else {ro' ← (ro'+ro)<<1} if (sign(ro')==0 {ro' ← ro'+1}				○						○	↕	
Load/store	Parallel load/store Note1, Note2.	ro=*dpx_mod ro'=*dpy_mod	ro ← *dpx, ro' ← *dpy												
		ro=*dpx_mod *dpy_mod=rh	ro ← *dpx, *dpy ← rh												
		*dpx_mod=rh ro=*dpy_mod	*dpx ← rh, ro ← *dpy	○	○	○									●
		*dpx_mod=rh *dpy_mod=rh'	*dpx ← rh, *dpy ← rh'												
	Section load/store Note1, Note2, Note 3.	dest=*dpx_mod dest'=*dpy_mod	dest ← *dpx, dest' ← *dpy												
		dest=*dpx_mod *dpy_mod=source	dest ← *dpx, *dpy ← source												
		*dpx_mod=source dest=*dpy_mod	*dpx ← source, dest ← *dpy												
		*dpx_mod=source *dpy_mod=source'	*dpx ← source, *dpy ← source'												●

- Note 1.** One or both of a mnemonic pair can be written.
2. After execution of load/store, data is modified by mod.
3. One of following mnemonic should be selected: dest, dest' = {ro, reh, re, rh, rl}, source, source' = {re, rh, rl}.

	Name	Mnemonic	Operation	Concurrent Writing Processing										Flag			
				TRI.	DYAD.	MONAD.	Load/ store	TRANS.	IMM.	BR.	LOOP.	CTL.	OV				
Load/store	Direct addressing load/store Note 1.	dest = *addr	dest ← *addr													●	
		*addr = source	*addr ← source														
	Immediate index load/store Note 2.	dest = *dp_imm	dest ← *dp														●
		*dp_imm = source	*dp ← source														
Inter-register transfer	Inter-register transfer Note 3.	dest = rl	dest ← rl												○	●	
		rl = source	rl ← source														
Immediate data set	Immediate data set	rl = imm (provided imm = 0-0xFFFF)	rl ← imm														
		dp = imm (provided imm = 0-0xFFFF)	dp ← imm														
		dn = imm (provided imm = 0-0xFFFF)	dn ← imm														
		dm = imm (provided imm = 1-0xFFFF)	dm ← imm														●

- Note 1.** One of following mnemonic should be selected: dest = {ro, reh, re, rh, rl}, source = {re, rh, rl}, add = $\left\{ \begin{array}{l} 0: X-0xFFFF:X \text{ memory} \\ 0: Y-0xFFFF:Y \text{ memory} \end{array} \right\}$.
- 2.** One of following mnemonic should be selected: dest = {ro, reh, re, rh, rl}, source = {re, rh, rl}.
- 3.** Any register except general registers should be selected as dest or source.

	Name	Mnemonic	Operation	Concurrent Writing Processing										Flag		
				TRI.	DYAD.	MONAD.	Load/ store	TRANS.	IMM.	BR.	LOOP.	CTL.	OV			
Branch	Jump	JMP imm	PC ← imm												○	●
	Inter-register indirect jump	JMP dp	PC ← dp												○	●
	Subroutine call	CALL imm	SP ← SP + 1 STK ← PC + PC ← imm												○	●
	Inter-register indirect subroutine call	CALL dp	SP ← SP + 1 STK ← PC + 1 PC ← dp												○	●
	Return	RET	PC ← STK SP ← SP - 1												○	●
	Return from interrupt	RETI	PC ← STK STK ← SP - 1 Restore the interrupt enable flag												○	●
Hardware loop	Repeat	REP count	start RC ← count RF ← 0 repeat PC ← PC RC ← RC - 1 end PC ← PC + 1 RF ← 1													●
	Loop	LOOP count (Mnemonics more than two lines)	start RC ← count RF ← 0 repeat PC ← PC RC ← RC - 1 end PC ← PC + 1 RF ← 1													●
	Loop pop	LPOP	LC ← LSR3 LE ← LSR2 LS ← LSR1 LSP ← LSP-1													●
Control	No operation	NOP	PC ← PC + 1													●
	Halt	HALT	CPU stop													●
	If	IF (ro cond)	Conditional judge				○		○		○					●
	Forget interrupt	FINT	Forget interrupt request													●

4. ELECTRICAL SPECIFICATIONS

Absolute maximum ratings (T_A = +25 °C)

Parameters	Symbol	Conditions	Ratings	Unit
Power supply voltage	V _{DD}		-0.5 to +7.0	V
Input voltage	V _I		-0.5 to V _{DD} + 0.5	V
Output voltage	V _O		-0.5 to V _{DD} + 0.5	V
Storage temperature	T _{stg}		-65 to +150	°C
Operating ambient temperature	T _A		-40 to +85	°C

Caution Exposure to Absolute Maximum Ratings for extended periods may affect device reliability; exceeding the ratings could cause permanent damage. The parameters apply independently. The device should be operated within the limits specified under DC and AC Characteristics.

Capacitance (T_A = +25 °C, V_{DD} = 0 V)

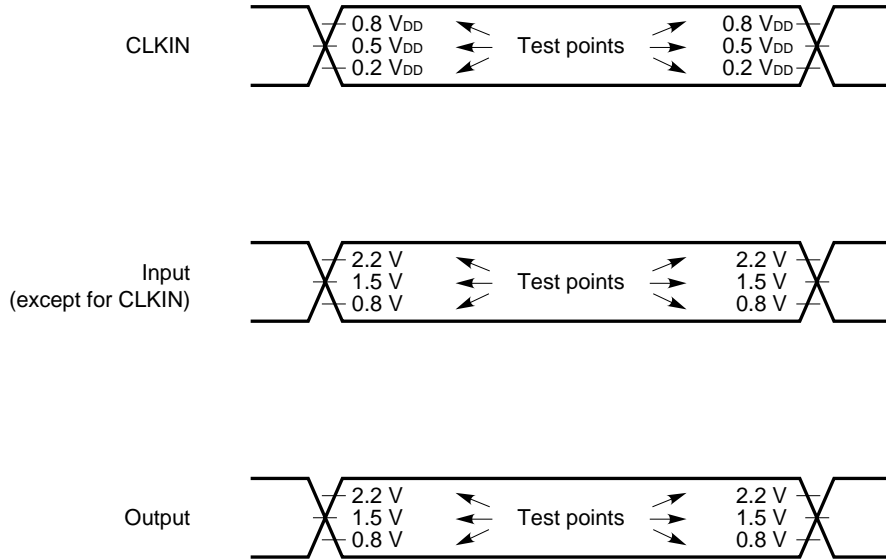
Parameters	Symbol	Conditions	MIN.	TYP.	MAX.	Unit
Input capacitance	C _I	f _c = 1 MHz Unmeasured pins returned to 0 V.			15	pF
Output capacitance	C _O				15	pF

DC characteristics (T_A = -40 to +85 °C, V_{DD} = 5 V ±10 %)

Parameters	Symbol	Conditions	MIN.	TYP.	MAX.	Unit
High level input voltage	V _{IH}	except for $\overline{\text{RESET}}$, $\overline{\text{CLKIN}}$, $\overline{\text{INT1}}$ - $\overline{\text{INT4}}$, $\overline{\text{WAIT}}$, $\overline{\text{HCS}}$, $\overline{\text{HRD}}$, $\overline{\text{HWR}}$, TCK, TDI, TMS	2.2		V _{DD} + 0.5	V
	V _{IHC}	$\overline{\text{RESET}}$, $\overline{\text{INT1}}$ - $\overline{\text{INT4}}$, $\overline{\text{WAIT}}$, $\overline{\text{HCS}}$, $\overline{\text{HRD}}$, $\overline{\text{HWR}}$, TCK, TDI, TMS	0.7V _{DD}		V _{DD} + 0.5	V
Low level input voltage	V _{IL}	except for $\overline{\text{RESET}}$, $\overline{\text{CLKIN}}$, $\overline{\text{INT1}}$ - $\overline{\text{INT4}}$, $\overline{\text{WAIT}}$, $\overline{\text{HCS}}$, $\overline{\text{HRD}}$, $\overline{\text{HWR}}$, TCK, TDI, TMS	-0.5		+0.8	V
	V _{ILC}	$\overline{\text{RESET}}$, $\overline{\text{INT1}}$ - $\overline{\text{INT4}}$, $\overline{\text{WAIT}}$, $\overline{\text{HCS}}$, $\overline{\text{HRD}}$, $\overline{\text{HWR}}$, TCK, TDI, TMS	-0.5		0.2V _{DD}	V
High level CLKIN voltage	V _{IHX}		0.8V _{DD}		V _{DD} + 0.5	V
Low level CLKIN voltage	V _{ILX}		-0.5		0.2V _{DD}	V
High level output voltage	V _{OH}	I _{OH} = -2.5 mA	0.8V _{DD}			V
Low level output voltage	V _{OL}	I _{OL} = 2.5 mA			0.4	V
Low level input current	I _{IL}	TDI, TMS, V _I = 0 V			-400	μA
High level input leak current	I _{LIH}	V _I = V _{DD}			10	μA
Low level input leak current	I _{LIL}	except for TDI, TMS, V _I = 0 V			-10	μA
Power supply current	I _{DD} ^{Note}	Active mode, t _{cI} = 15 ns V _{IH} = V _{DD} , V _{IL} = 0 V, no load		140	300	mA
	I _{DDH}	HALT mode, t _{cI} = 15 ns, V _{IH} = V _{DD} , V _{IL} = 0 V, no load		80		mA
	I _{DDS}	CLKIN = 0 V V _{IH} = V _{DD} , V _{IL} = 0 V, no load		10		μA

Note The TYP. value is measured when a general program is executed, and V_{DD} = 5 V condition. The MAX. value is measured when a special program that max. switching required is executed, and V_{DD} = 5.5 V condition.

Measurement Standards Common to Switching Characteristics



AC Characteristics (T_A = -40 to +85 °C, V_{DD} = 5 V ±10%, C_L = 30 pF)

Clock

Required Timing Condition

Parameters	Symbol	Conditions	MIN.	TYP.	MAX.	Unit
CLKIN cycle time	t _{cCl}		15		500	ns
CLKIN high level width	t _{wClH}		6.75		0.55 t _{cCl}	ns
CLKIN low level width	t _{wClL}		6.75		0.55 t _{cCl}	ns
CLKIN rise/fall time	t _{rCl}				6	ns

Switching Characteristics

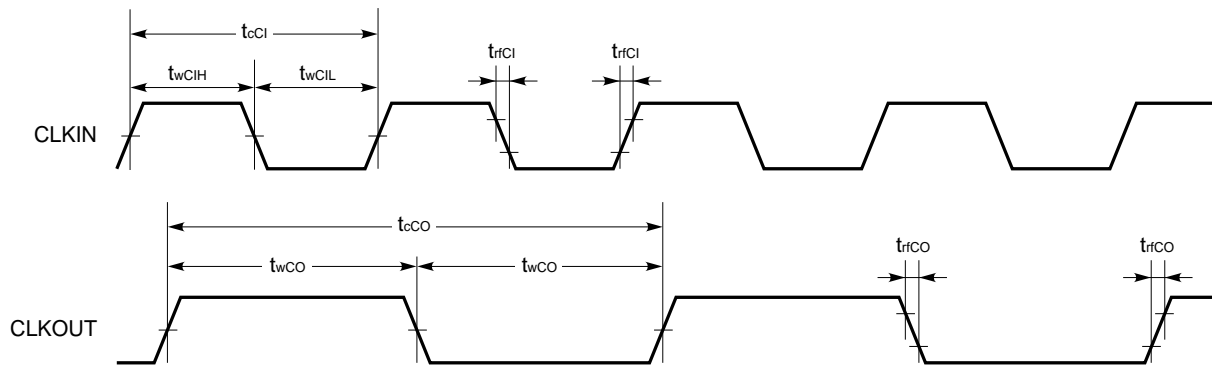
Parameters	Symbol	Conditions	MIN.	TYP.	MAX.	Unit
CLKOUT cycle time	t _{cCO}			2t _{cCl}		ns
CLKOUT level width	t _{wCO}		t _{cCl} - 3			ns
CLKOUT rise/fall time	t _{rCO}				3	ns

Reset, Interrupt

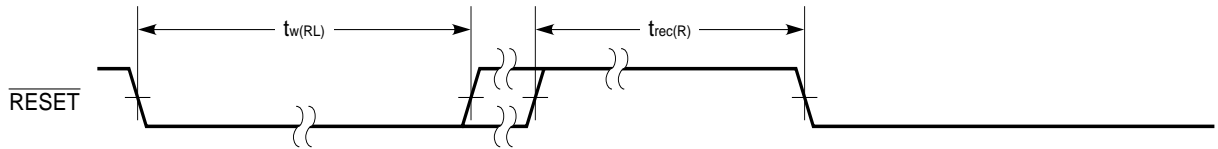
Required Timing Condition

Parameters	Symbol	Conditions	MIN.	TYP.	MAX.	Unit
$\overline{\text{RESET}}$ low level width	$t_{w(\text{RL})}$		$4t_{\text{cco}}$			ns
$\overline{\text{RESET}}$ recovery time	$t_{\text{rec}(\text{R})}$		$4t_{\text{cco}}$			ns
$\overline{\text{INT1}}-\overline{\text{INT4}}$ low level width	$t_{w(\text{INTL})}$		$3t_{\text{cco}}$			ns
$\overline{\text{INT1}}-\overline{\text{INT4}}$ recovery time	$t_{\text{rec}(\text{INT})}$		$3t_{\text{cco}}$			ns

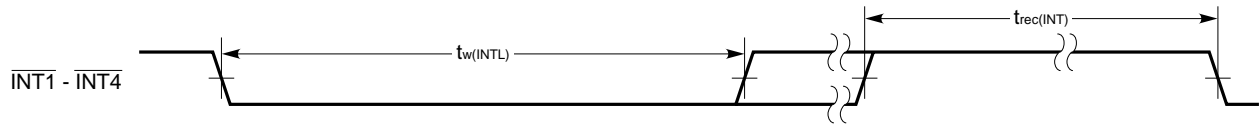
Clock Input/Output Timing



Reset, Interrupt Timing



Interrupt Timing



External Data Memory Access

Required Timing Condition

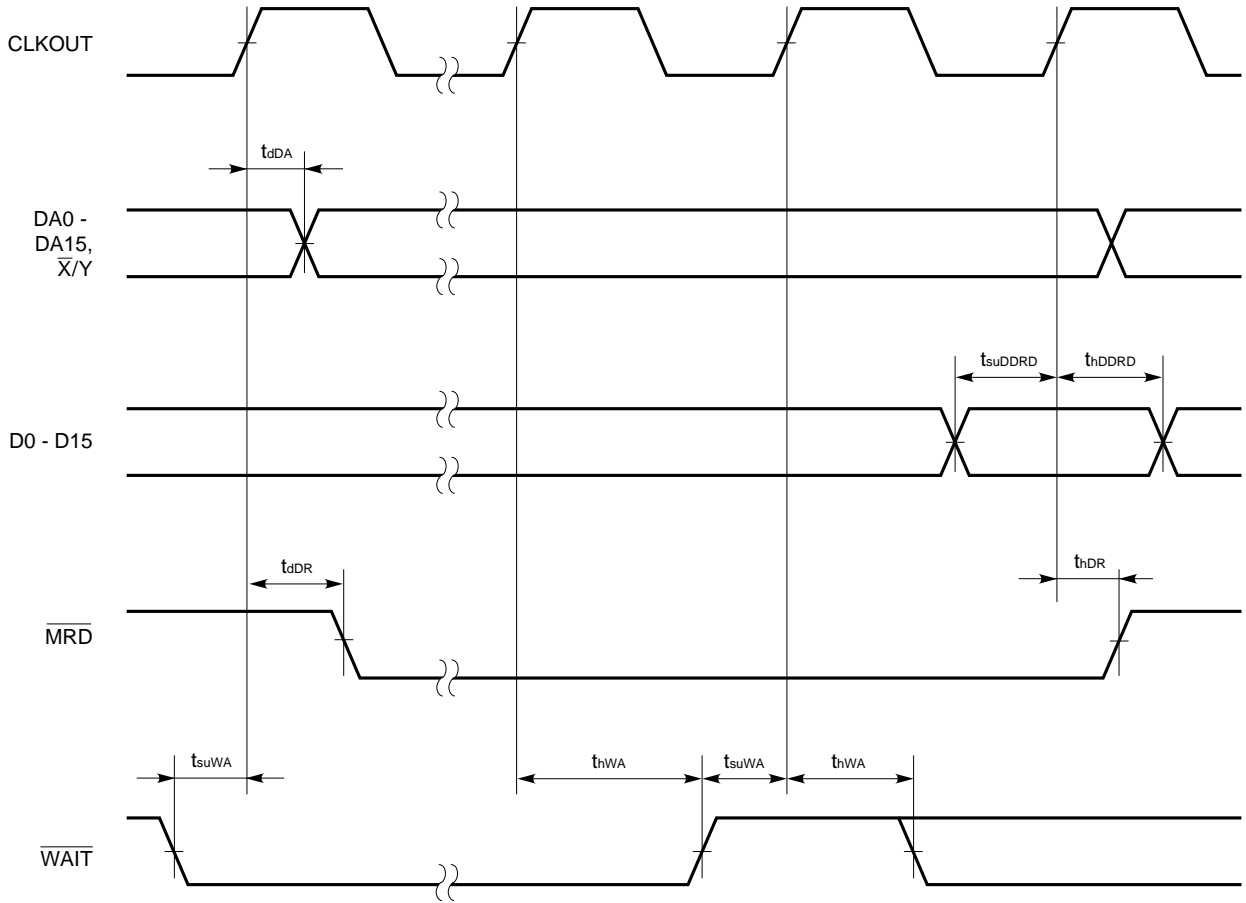
Parameters	Symbol	Conditions	MIN.	TYP.	MAX.	Unit
Read data setup time	t_{suDDR}		14			ns
Read data hold time	t_{hDDR}		0			ns
$\overline{\text{WAIT}}$ setup time	t_{suWA}		8			ns
$\overline{\text{WAIT}}$ hold time	t_{hWA}		0			ns

Switching Characteristics

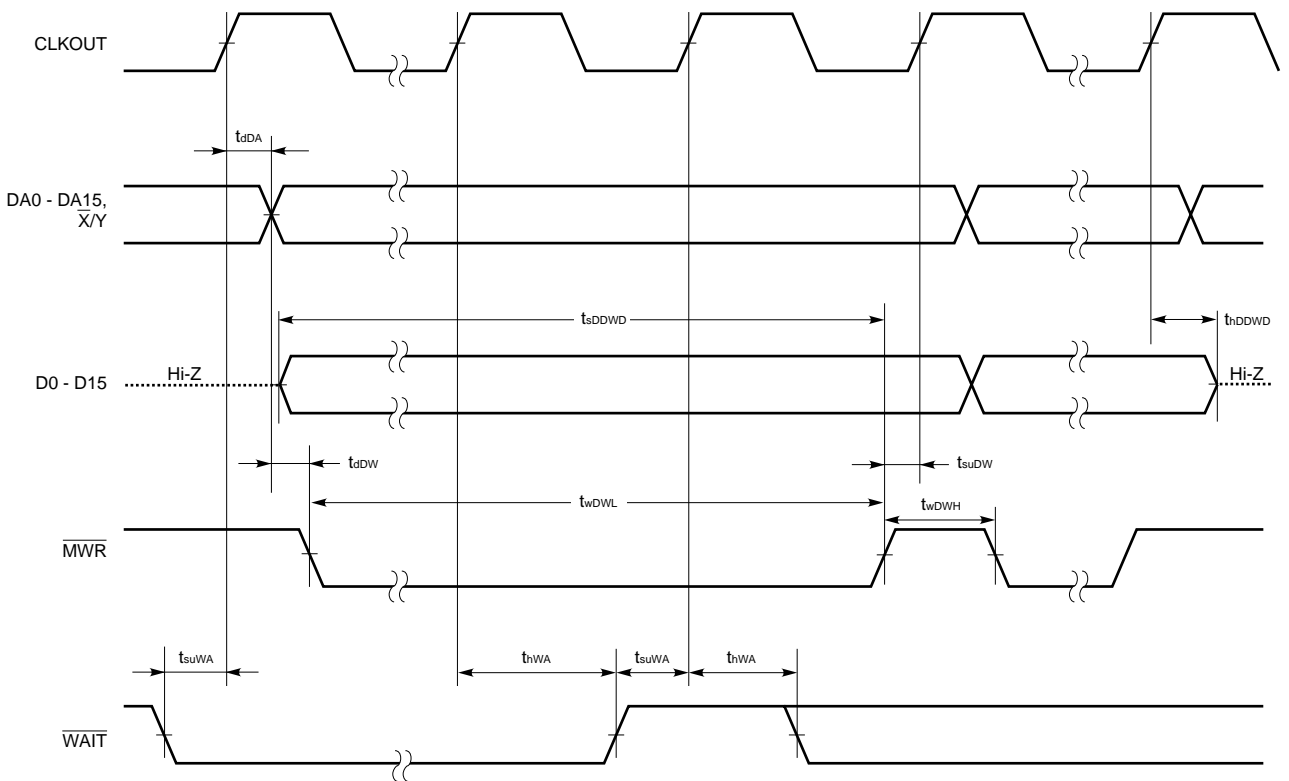
Parameters	Symbol	Conditions	MIN.	TYP.	MAX.	Unit
Address output delay time	t_{dDA}		0		6	ns
$\overline{\text{MRD}}$ output delay time	t_{dDR}		0		8	ns
$\overline{\text{MRD}}$ hold time	t_{hDR}		0		8	ns
Write data setup time	t_{sDDWD}		$t_{cCI} + t_{wCIH} - 15 + t_{cDW}$ Note			ns
Write data output hold time	t_{hDDWD}		0		15	ns
$\overline{\text{MWR}}$ output delay time	t_{dDW}		$t_{wCIH} - 4$			ns
$\overline{\text{MWR}}$ setup time	t_{suDW}		$t_{wCIL} - 4$			ns
$\overline{\text{MWR}}$ low level width	t_{wDWL}		$t_{cCI} - 4 + t_{cDW}$ Note			ns
$\overline{\text{MWR}}$ high level width	t_{wDWH}		$t_{cCI} - 4$			ns

Note t_{cDW} : Data wait cycle

External Data Memory Read Operation



External Data Memory Write Operation



External Instruction Memory Access

Required Timing Condition

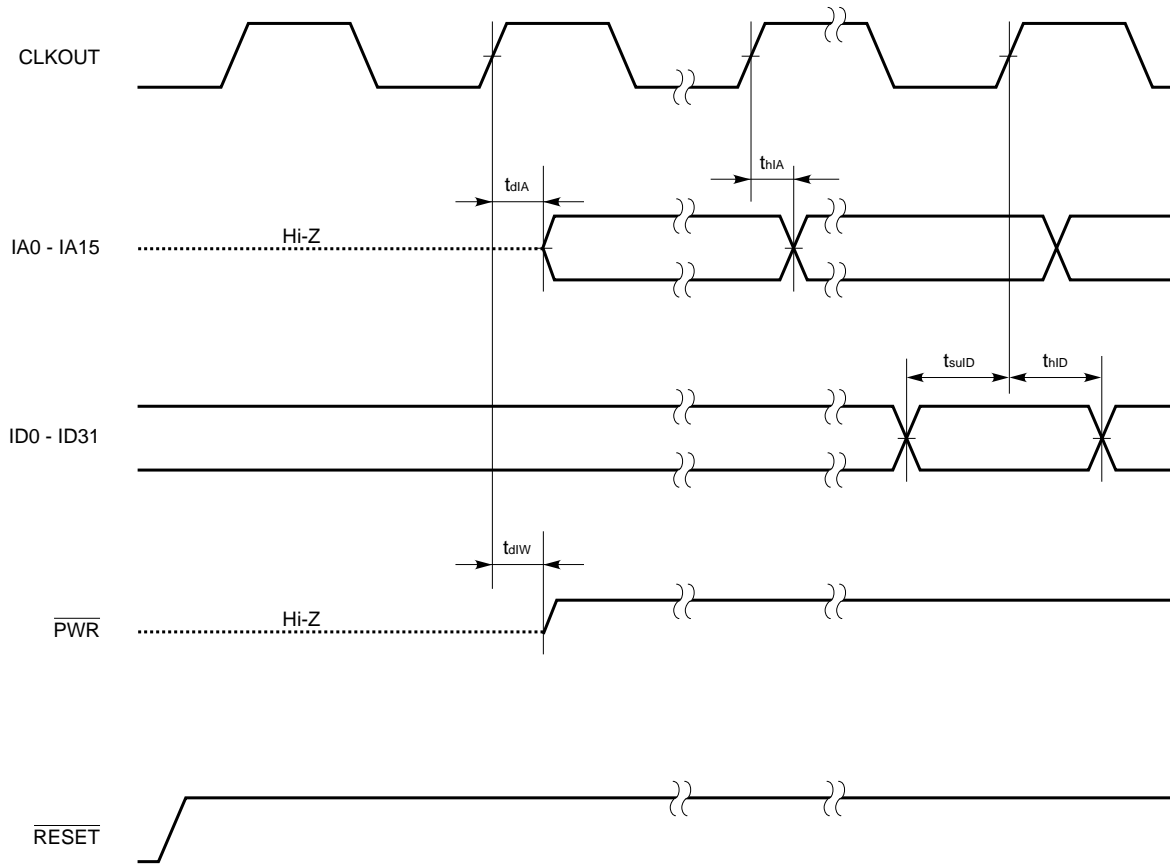
Parameters	Symbol	Conditions	MIN.	TYP.	MAX.	Unit
ID setup time (to CLKOUT ↑)	t_{sID}		14			ns
ID hold time (to CLKOUT ↑)	t_{hID}		0			ns

Switching Characteristics

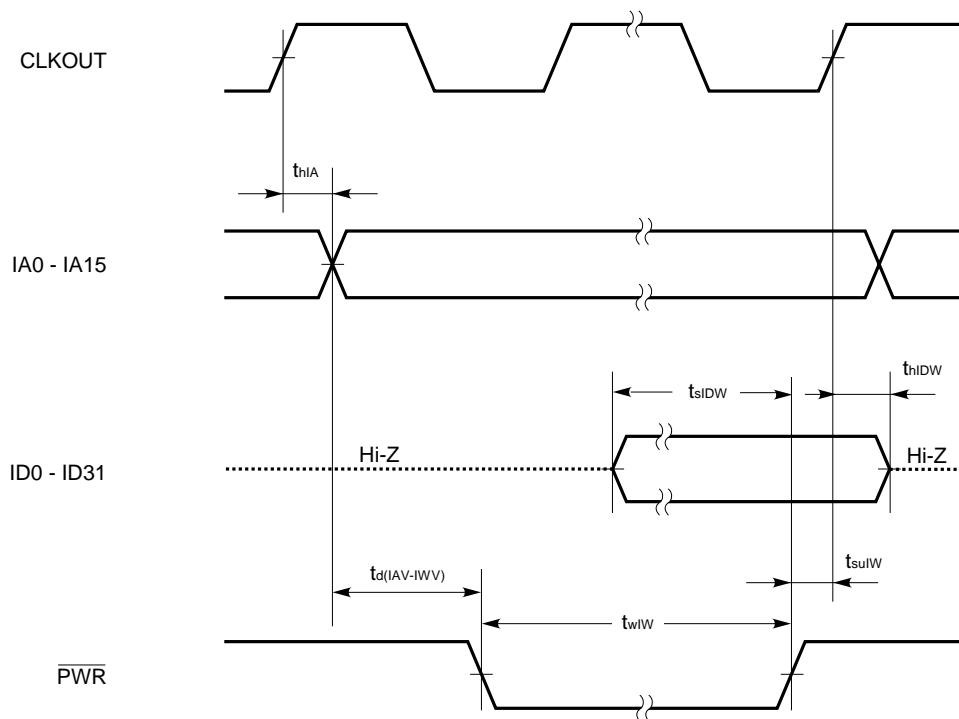
Parameters	Symbol	Conditions	MIN.	TYP.	MAX.	Unit
IA output delay time	t_{dIA}			10		ns
IA hold time	t_{hIA}		0		6	ns
ID write setup time	t_{sIDW}		$t_{cCI} + t_{wCIH} - 15$			ns
ID write hold time	t_{hIDW}		0			ns
PWR output delay time	t_{dIW}			10		ns
Address → PWR setup time	$t_{d(IAV-IWV)}$		$t_{cCI} + t_{wCIH} - 4$			ns
PWR setup time	t_{sIW}		$t_{wCIL} - 4$			ns
PWR width	t_{wIW}		$t_{cCO} - 4 + t_{cIW}$			ns

Remark t_{cIW} : Instruction wait cycle

External Instruction Memory Read Operation



External Instruction Memory Write Operation



Bus Arbitration

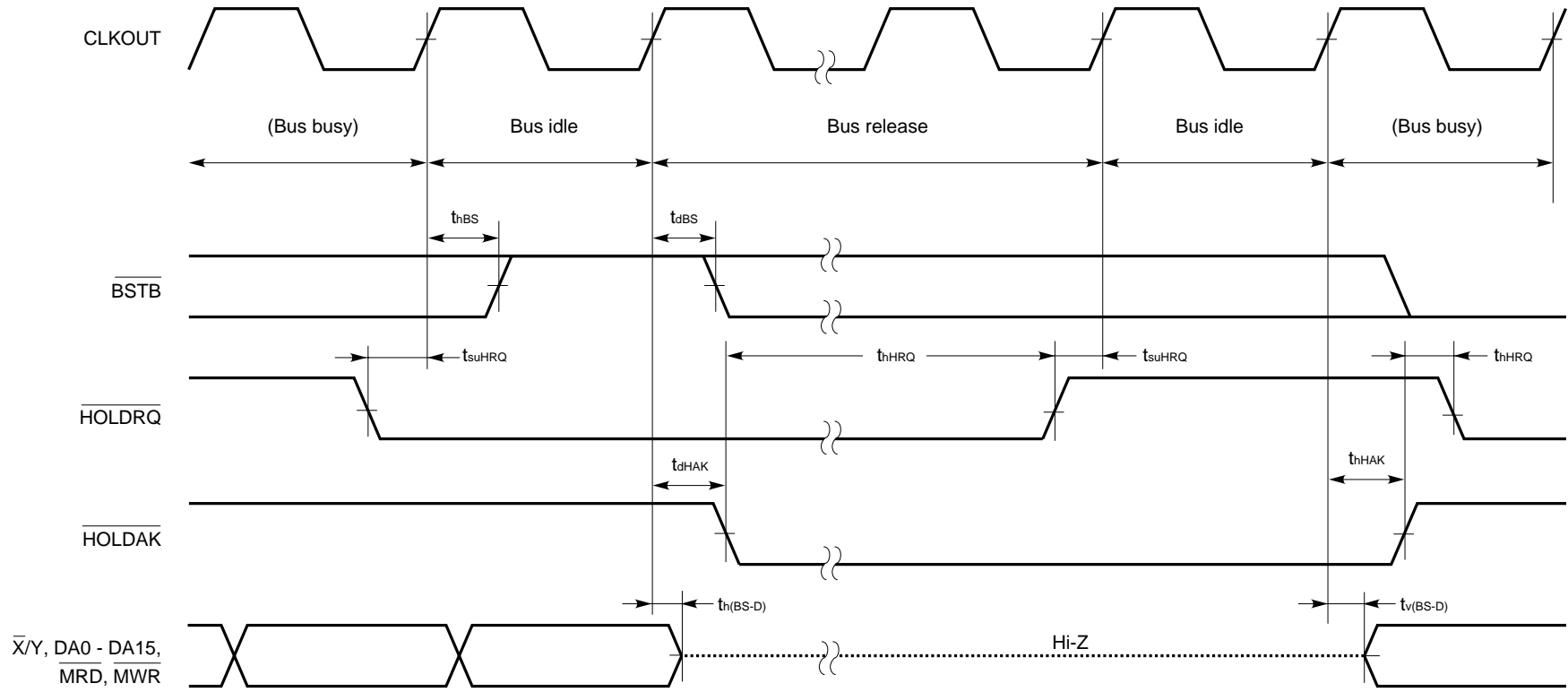
Required Timing Condition

Parameters	Symbol	Conditions	MIN.	TYP.	MAX.	Unit
HOLDRQ setup time	t _{suHRQ}		8			ns
HOLDRQ hold time	t _{hHRQ}		0			ns

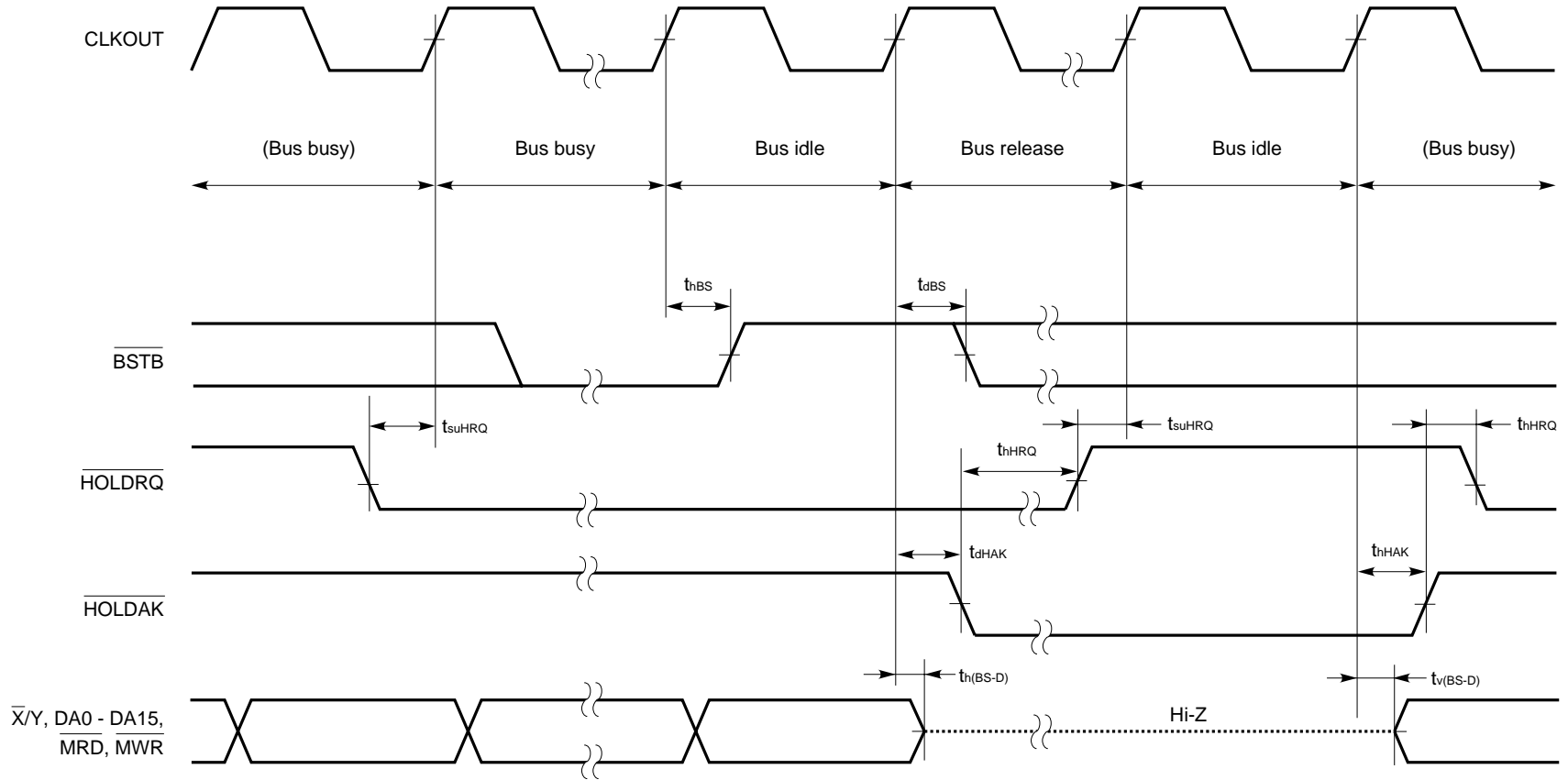
Switching Characteristics

Parameters	Symbol	Conditions	MIN.	TYP.	MAX.	Unit
BSTB hold time	t _{hBS}		0		6	ns
BSTB output delay time	t _{dBS}		0		6	ns
HOLDAK output delay time	t _{dHAK}		0		6	ns
HOLDAK hold time	t _{hHAK}		0		6	ns
Data hold time when bus arbitration	t _{h(BS-D)}				15	ns
Data valid time after bus arbitration	t _{v(BS-D)}				15	ns

Bus Arbitration Timing (Bus idle)

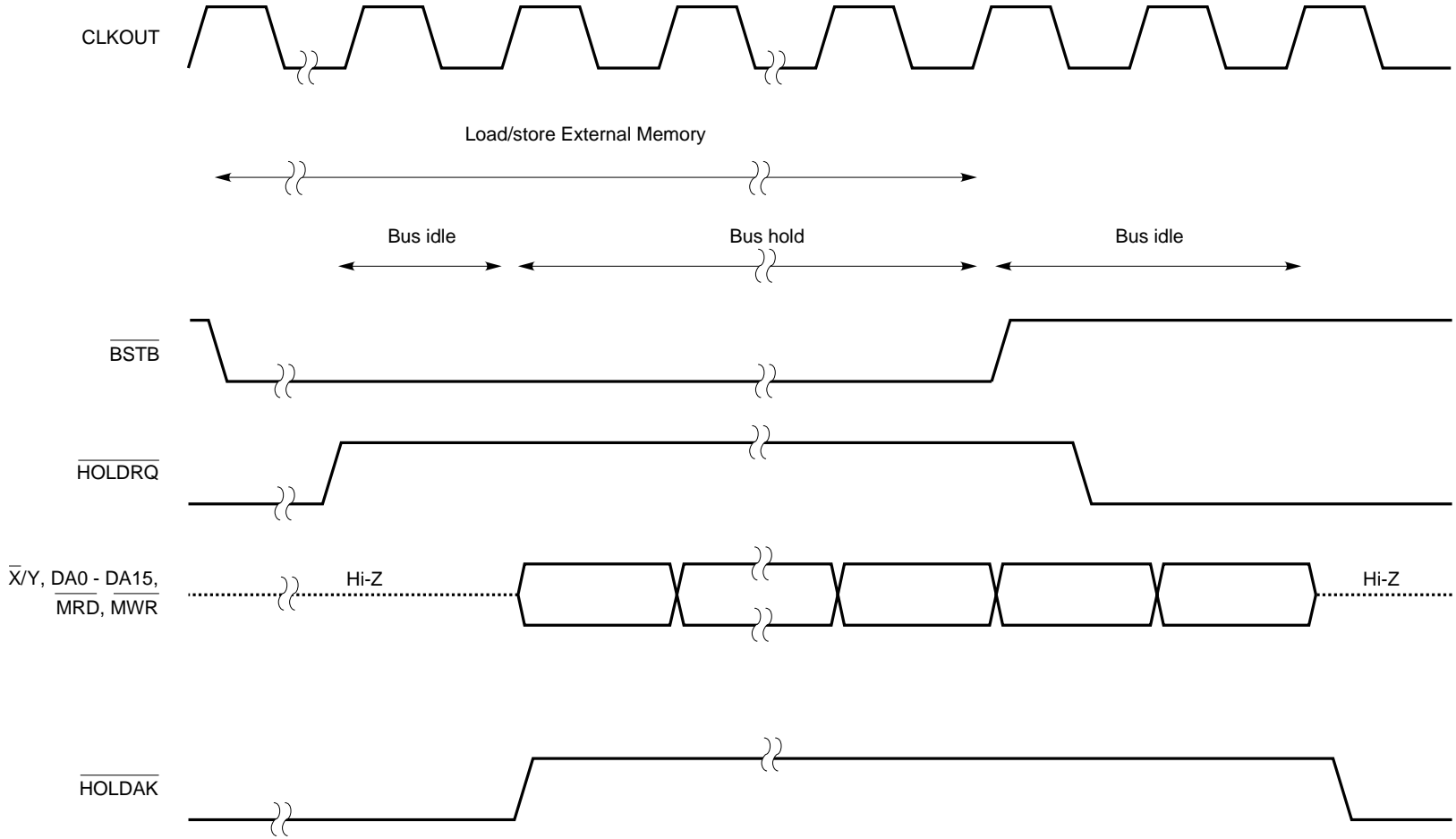


Bus Arbitration Timing (Bus busy)



Phase-out/Discontinued

Bus Arbitration Timing (Bus slave)



Serial Interface

Required Timing Condition

Parameters	Symbol	Conditions	MIN.	TYP.	MAX.	Unit
SCK input cycle time	t_{cSC}		$2t_{cCO}$			ns
SCK input high/low level width	t_{wSC}		25			ns
SCK input rise/fall time	t_{rSC}			3	20	ns
SOEN recovery time	t_{recSOE}		10			ns
SOEN hold time	t_{hSOE}		5			ns
SIEN recovery time	t_{recSIE}		10			ns
SIEN hold time	t_{hSIE}		5			ns
SI setup time	t_{suSI}		10			ns
SI hold time	t_{hSI}		0			ns

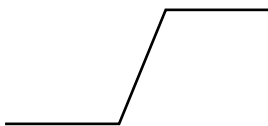
Switching Characteristics

Parameters	Symbol	Conditions	MIN.	TYP.	MAX.	Unit
SORQ output delay time	t_{dSOR}		0		30	ns
SORQ hold time	t_{hSOR}		0		30	ns
SO valid time	t_{vSO}		0		30	ns
SO hold time	t_{hSO}				60	ns
SIAM output delay time	t_{dSIA}		0		30	ns
SIAM hold time	t_{hSIA}		0		30	ns

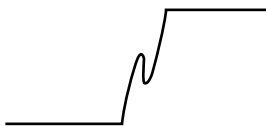
Notes for Serial Clock

Serial clock inputs SCK1 and SCK2 are sensitive to any kind of interfering signals (noise on power supply, induced voltage, etc.). Spurious signals can cause malfunction of the device. Special care for the serial clock design should be taken. Careful grounding, decoupling and short wiring of SCK1 and SCK2 are recommended. Intersection of SCK1 and SCK2 with other serial interface lines or close wiring to lines carrying high frequency signals or large changing currents should be avoided.

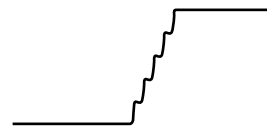
It considers for the serial clock to make a waveform stable especially about the rising and falling.



Example 1. good example
Straight rising form and falling form

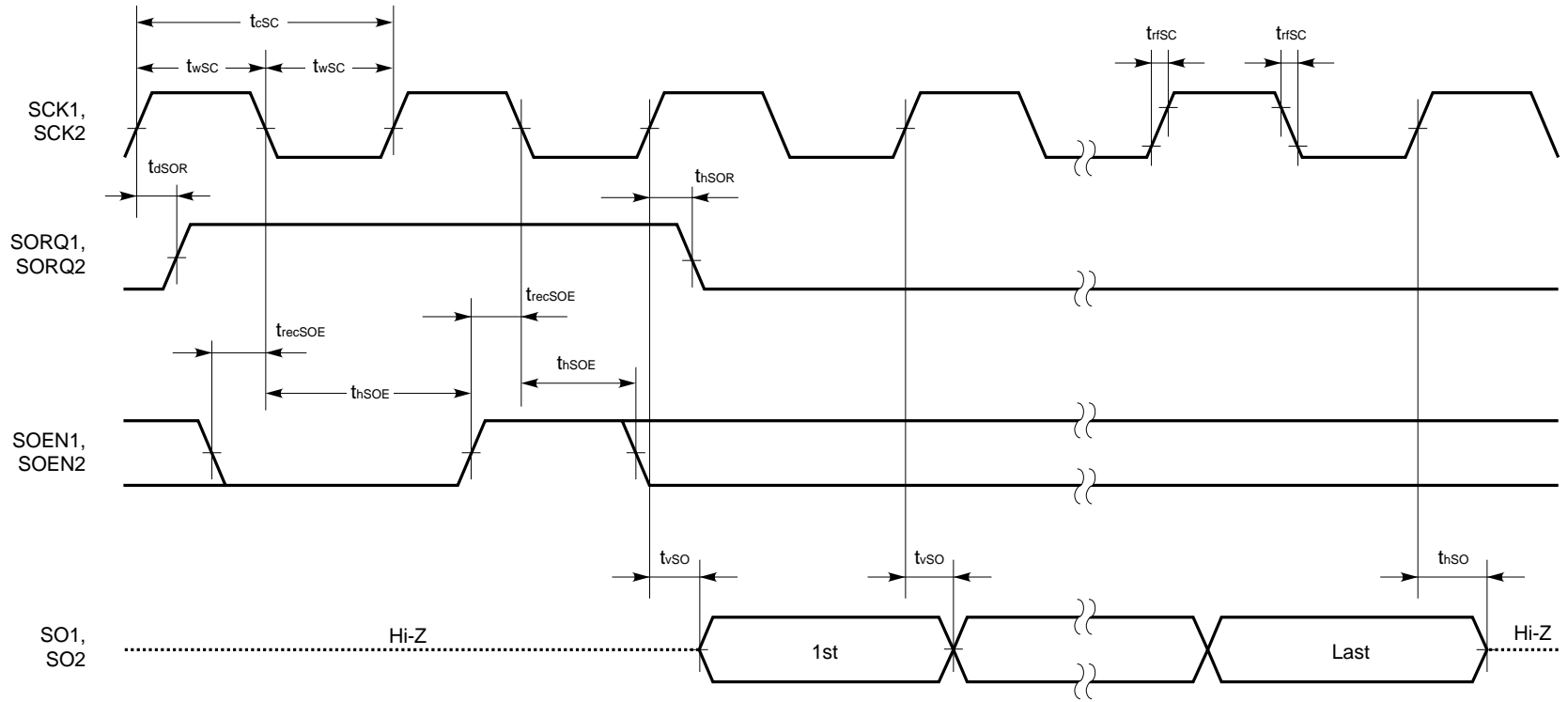


Example 2. no good example
It doesn't bound. It doesn't make noise one above another.

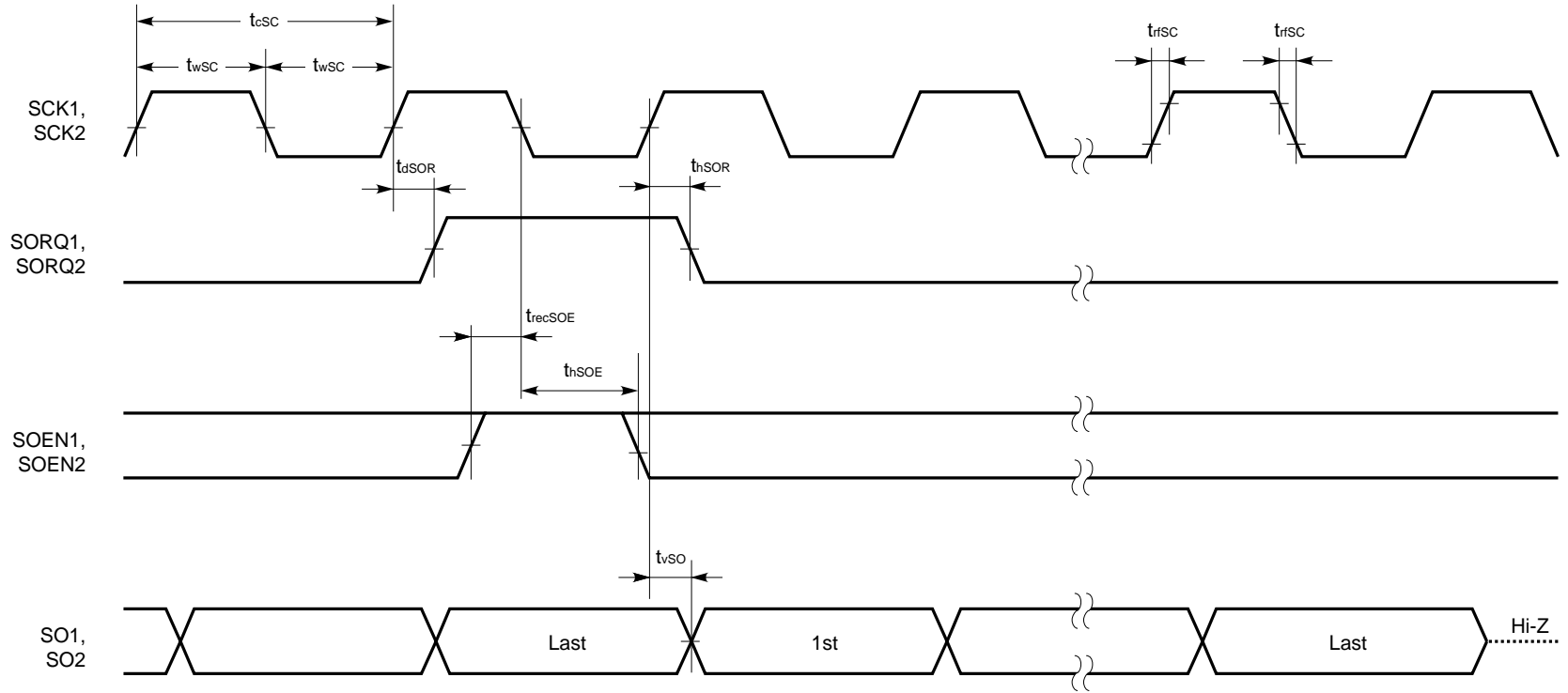


Example 3. no good example
It doesn't make a stair stepping.

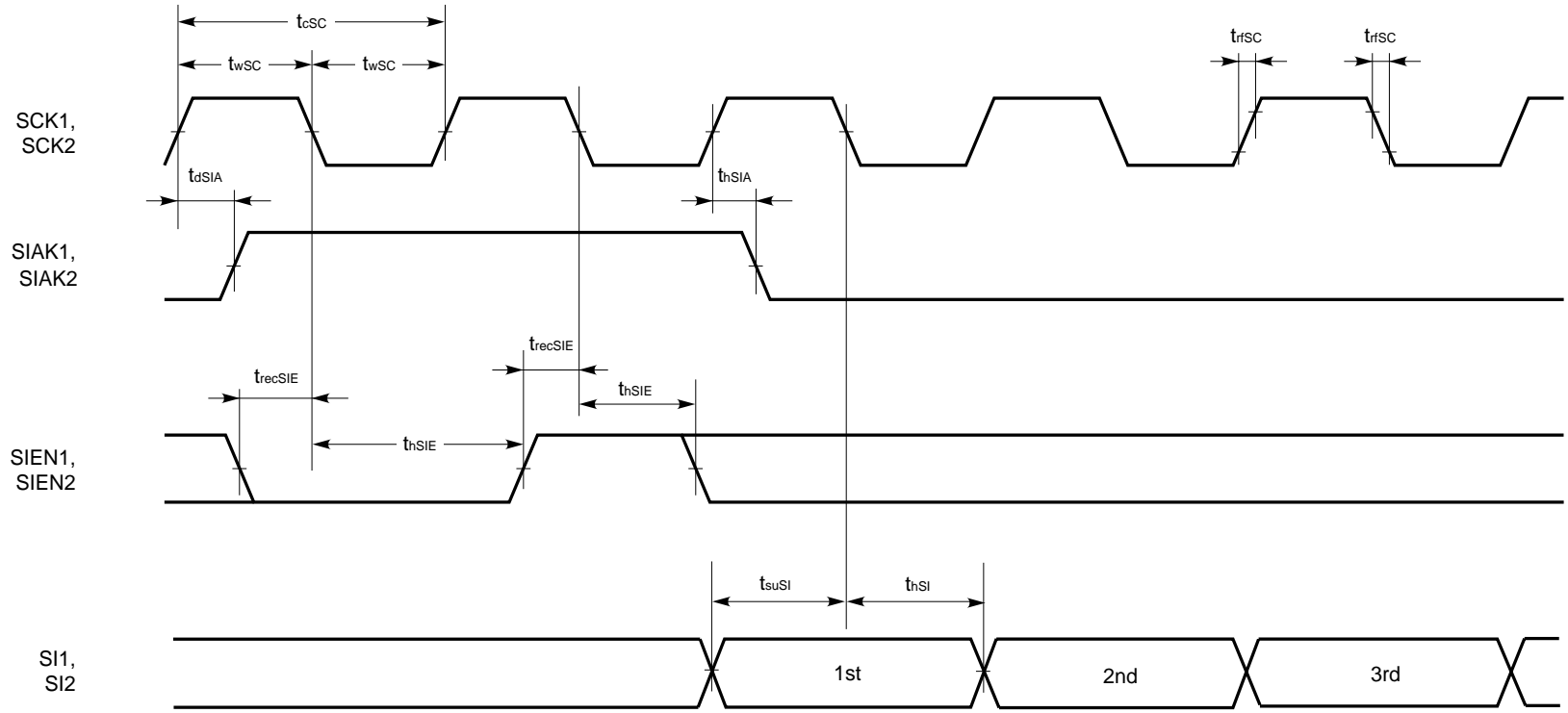
Serial Output Timing 1



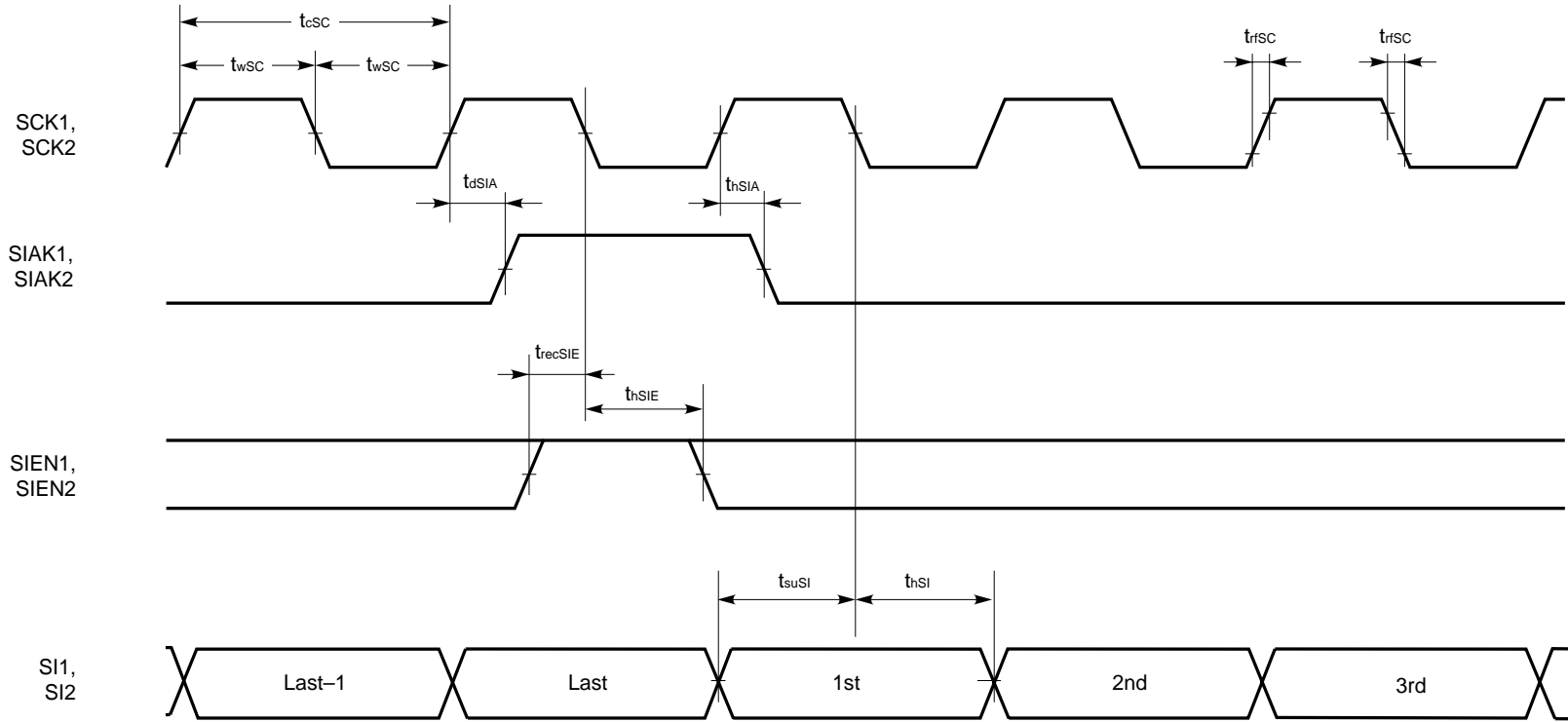
Serial Output Timing 2 (Continual output)



Serial Input Timing 1



Serial Input Timing 2 (Continual input)



Phase-out/Discontinued

Host Interface

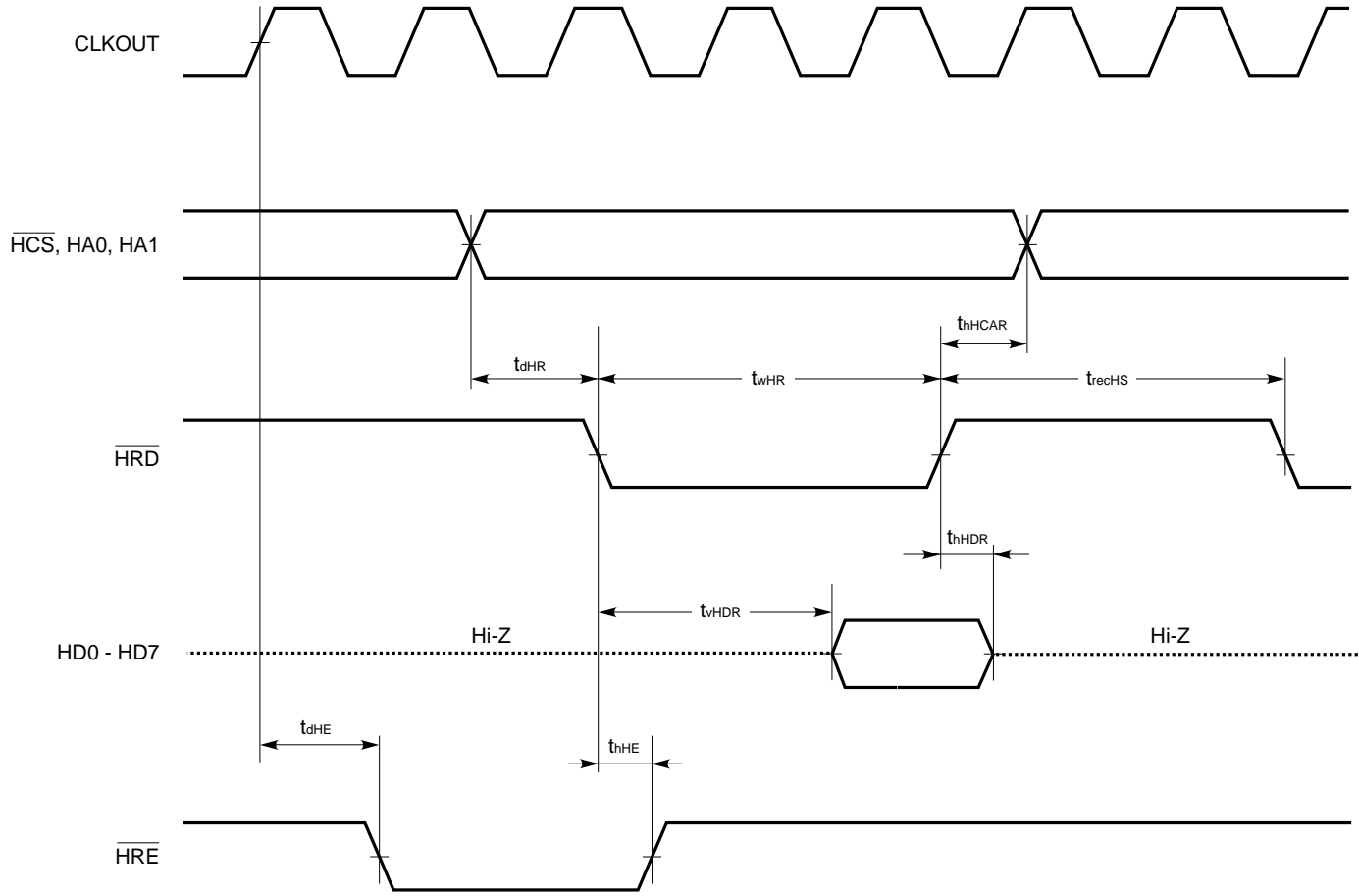
Required Timing Condition

Parameters	Symbol	Conditions	MIN.	TYP.	MAX.	Unit
$\overline{\text{HRD}}$ delay time	t_{dHR}		0			ns
$\overline{\text{HRD}}$ width	t_{wHR}		$2t_{cCO}$			ns
$\overline{\text{HCS}}$, HA0, HA1 read hold time	t_{hCAR}		5			ns
$\overline{\text{HCS}}$, HA0, HA1 write hold time	t_{hCAW}		5			ns
$\overline{\text{HRD}}$, $\overline{\text{HWR}}$ recovery time	t_{recHS}		$2t_{cCO}$			ns
$\overline{\text{HWR}}$ delay time	t_{dHW}		0			ns
$\overline{\text{HWR}}$ width	t_{wHW}		$2t_{cCO}$			ns
$\overline{\text{HWR}}$ hold time	t_{hHDW}		5			ns
$\overline{\text{HWR}}$ setup time	t_{suHDW}		20			ns

Switching Characteristics

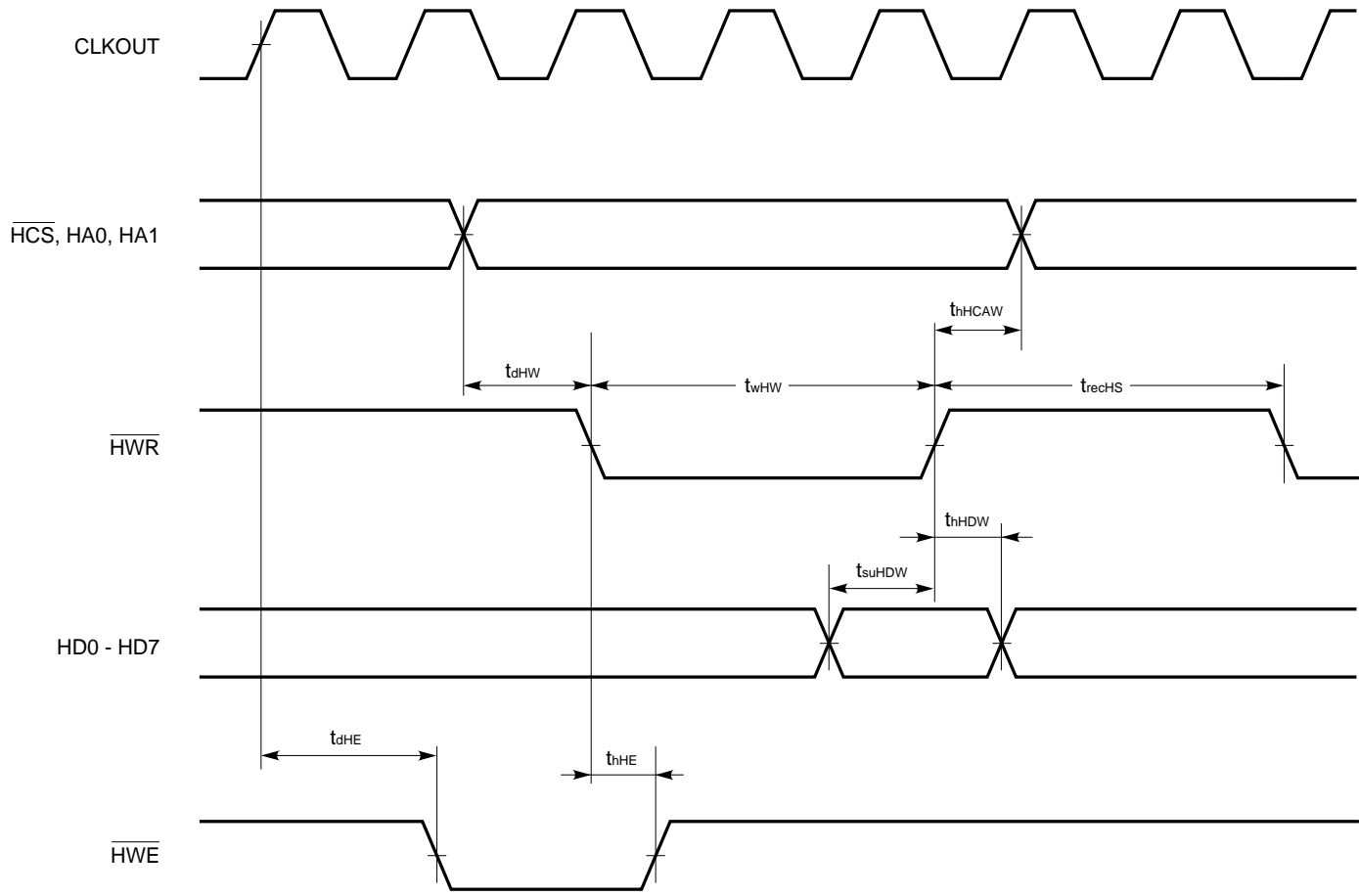
Parameters	Symbol	Conditions	MIN.	TYP.	MAX.	Unit
$\overline{\text{HRE}}$, $\overline{\text{HWE}}$ output delay time	t_{dHE}				30	ns
$\overline{\text{HRE}}$, $\overline{\text{HWE}}$ hold time	t_{hHE}				20	ns
$\overline{\text{HRD}}$ valid time	t_{vHDR}				30	ns
$\overline{\text{HRD}}$ hold time	t_{hHDR}		0			ns

Host Read Interface Timing



Phase-out/Discontinued

Host Write Interface Timing



General Input/Output Ports

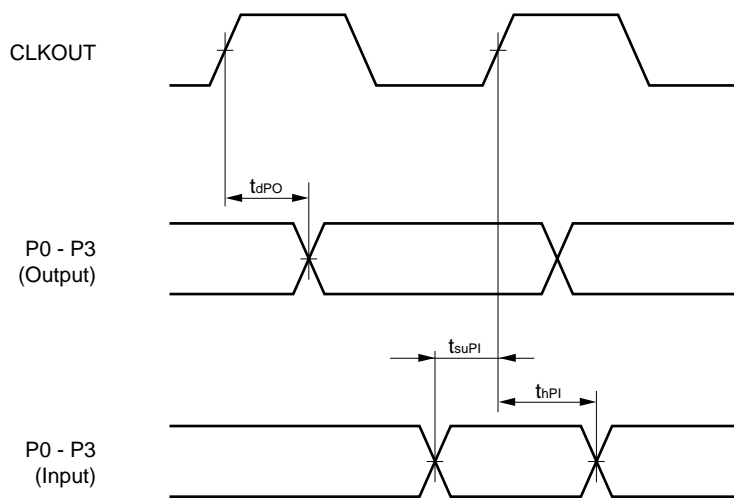
Required Timing Condition

Parameters	Symbol	Conditions	MIN.	TYP.	MAX.	Unit
Port input setup time	t_{suPI}		10			ns
Port input hold time	t_{hPI}		10			ns

Switching Characteristics

Parameters	Symbol	Conditions	MIN.	TYP.	MAX.	Unit
Port output delay time	t_{dPO}		0		30	ns

General Input/Output Ports Timing



Debugging Interface (JTAG)

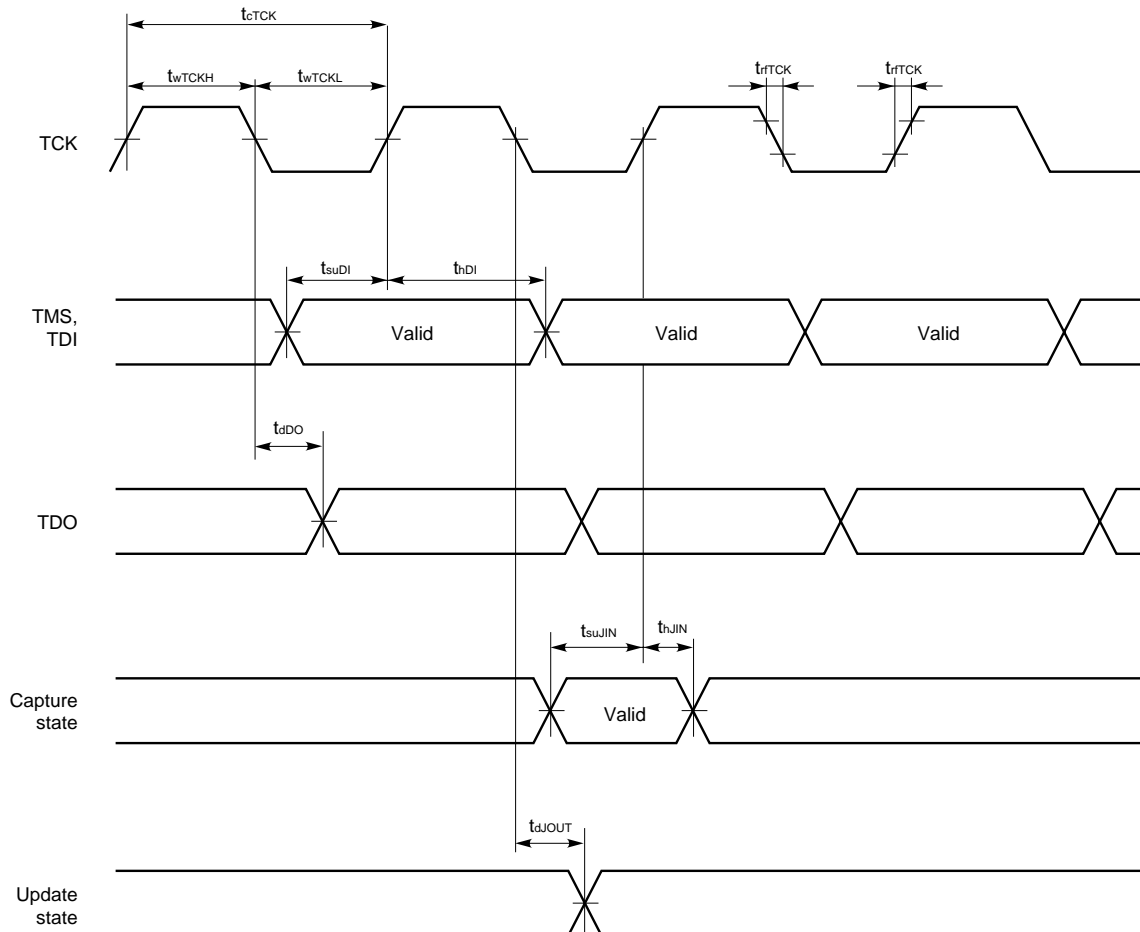
Required Timing Condition

Parameters	Symbol	Conditions	MIN.	TYP.	MAX.	Unit
TCK cycle time	t_{cTCK}		$4t_{cco}$			ns
TCK high level width	t_{wTCKH}		50			ns
TCK low level width	t_{wTCKL}		50			ns
TCK rise/fall time	t_{rTCK}			3	20	ns
TMS, TDI setup time	t_{suDI}		10			ns
TMS, TDI hold time	t_{hDI}		15			ns
Input pin setup time	t_{suJIN}		10			ns
Input pin hold time	t_{hJIN}		0			ns

Switching Characteristics

Parameters	Symbol	Conditions	MIN.	TYP.	MAX.	Unit
TDO output delay time	t_{dDO}		0		30	ns
Output pin output delay time	t_{dJOUT}				30	ns

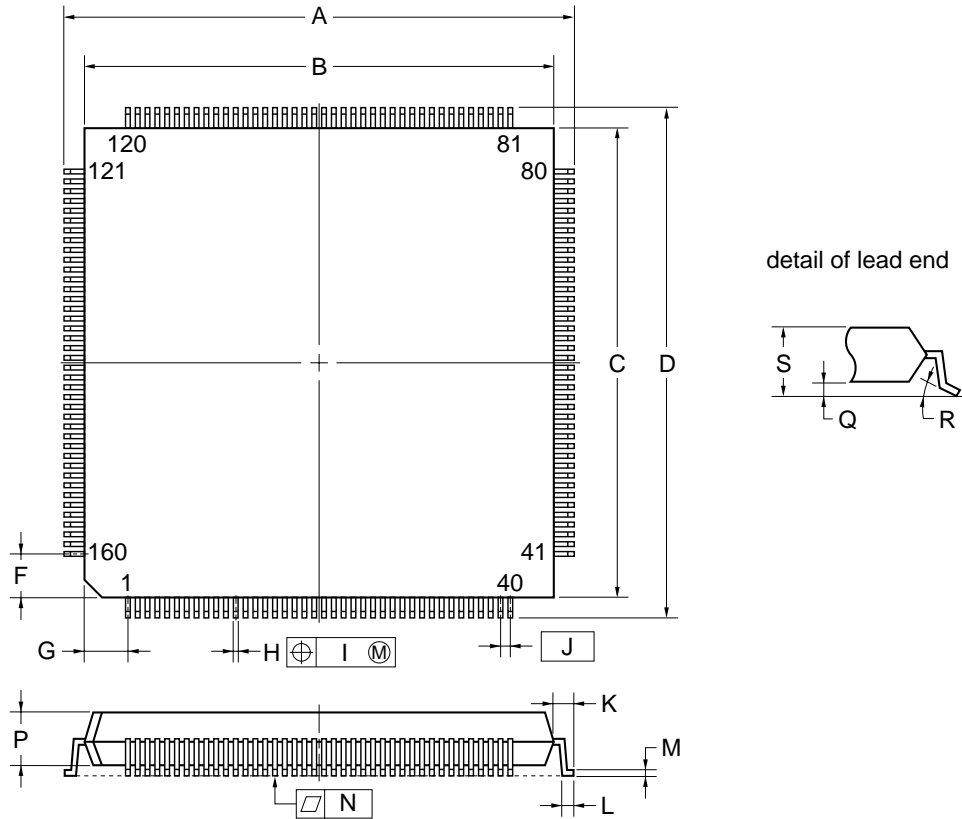
Debugging Interface Timing



Remark For the details of JTAG, refer to "IEEE1149.1."

5. PACKAGE DRAWING

160 PIN PLASTIC QFP (FINE PITCH) (□ 24)



NOTE

Each lead centerline is located within 0.10 mm (0.004 inch) of its true position (T.P.) at maximum material condition.

ITEM	MILLIMETERS	INCHES
A	26.0±0.2	1.024 ^{+0.008} _{-0.009}
B	24.0±0.2	0.945±0.008
C	24.0±0.2	0.945±0.008
D	26.0±0.2	1.024 ^{+0.008} _{-0.009}
F	2.25	0.089
G	2.25	0.089
H	0.22 ^{+0.05} _{-0.04}	0.009±0.002
I	0.10	0.004
J	0.5 (T.P.)	0.020 (T.P.)
K	1.0±0.2	0.039 ^{+0.009} _{-0.008}
L	0.5±0.2	0.020 ^{+0.008} _{-0.009}
M	0.17 ^{+0.03} _{-0.07}	0.007 ^{+0.001} _{-0.003}
N	0.10	0.004
P	2.7	0.106
Q	0.4±0.1	0.016 ^{+0.004} _{-0.005}
R	3° ^{+7°} _{-3°}	3° ^{+7°} _{-3°}
S	3.3 MAX.	0.130 MAX.

S160GM-50-JMD,KMD

6. RECOMMENDED SOLDERING CONDITIONS

When soldering this product, it is highly recommended to observe the conditions as shown below. If other soldering processes are used, or if the soldering is performed under different conditions, please make sure to consult with our sales offices.

For more details, refer to our document “**SEMICONDUCTOR DEVICE MOUNTING TECHNOLOGY MANUAL (C10535E)**”.

Surface mount device

μPD77016GM-KMD: 160-pin plastic QFP (FINE PITCH) (24 × 24 mm)

Process	Conditions	Symbol
Infrared ray reflow	Peak temperature: 235 °C or below (Package surface temperature), Reflow time: 30 seconds or less (at 210 °C or higher), Maximum number of reflow processes: 1 time, Exposure limit ^{Note} : 7 days (20 hours pre-baking is required at 125 °C afterwards).	IR35-207-1
VPS	Peak temperature: 215 °C or below (Package surface temperature), Reflow time: 40 seconds or less (at 200 °C or higher), Maximum number of reflow processes: 1 time, Exposure limit ^{Note} : 7 days (20 hours pre-baking is required at 125 °C afterwards).	VP15-207-1
Partial heating method	Pin temperature: 300 °C or below, Heat time: 3 seconds or less (Per each side of the device).	—

Note Maximum allowable time from taking the soldering package out of dry pack to soldering.
Storage conditions: 25 °C and relative humidity of 65 % or less.

Caution Apply only one kind of soldering condition to a device, except for “partial heating method”, or the device will be damaged by heat stress.

[MEMO]

[MEMO]

[MEMO]

NOTES FOR CMOS DEVICES

① PRECAUTION AGAINST ESD FOR SEMICONDUCTORS

Note: Strong electric field, when exposed to a MOS device, can cause destruction of the gate oxide and ultimately degrade the device operation. Steps must be taken to stop generation of static electricity as much as possible, and quickly dissipate it once, when it has occurred. Environmental control must be adequate. When it is dry, humidifier should be used. It is recommended to avoid using insulators that easily build static electricity. Semiconductor devices must be stored and transported in an anti-static container, static shielding bag or conductive material. All test and measurement tools including work bench and floor should be grounded. The operator should be grounded using wrist strap. Semiconductor devices must not be touched with bare hands. Similar precautions need to be taken for PW boards with semiconductor devices on it.

② HANDLING OF UNUSED INPUT PINS FOR CMOS

Note: No connection for CMOS device inputs can be cause of malfunction. If no connection is provided to the input pins, it is possible that an internal input level may be generated due to noise, etc., hence causing malfunction. CMOS device behave differently than Bipolar or NMOS devices. Input levels of CMOS devices must be fixed high or low by using a pull-up or pull-down circuitry. Each unused pin should be connected to V_{DD} or GND with a resistor, if it is considered to have a possibility of being an output pin. All handling related to the unused pins must be judged device by device and related specifications governing the devices.

③ STATUS BEFORE INITIALIZATION OF MOS DEVICES

Note: Power-on does not necessarily define initial status of MOS device. Production process of MOS does not define the initial operation status of the device. Immediately after the power source is turned ON, the devices with reset function have not yet been initialized. Hence, power-on does not guarantee out-pin levels, I/O settings or contents of registers. Device is not initialized until the reset signal is received. Reset operation must be executed immediately after power-on for devices having reset function.

[MEMO]

No part of this document may be copied or reproduced in any form or by any means without the prior written consent of NEC Corporation. NEC Corporation assumes no responsibility for any errors which may appear in this document.

NEC Corporation does not assume any liability for infringement of patents, copyrights or other intellectual property rights of third parties by or arising from use of a device described herein or any other liability arising from use of such device. No license, either express, implied or otherwise, is granted under any patents, copyrights or other intellectual property rights of NEC Corporation or others.

While NEC Corporation has been making continuous effort to enhance the reliability of its semiconductor devices, the possibility of defects cannot be eliminated entirely. To minimize risks of damage or injury to persons or property arising from a defect in an NEC semiconductor device, customers must incorporate sufficient safety measures in its design, such as redundancy, fire-containment, and anti-failure features.

NEC devices are classified into the following three quality grades:

"Standard", "Special", and "Specific". The Specific quality grade applies only to devices developed based on a customer designated "quality assurance program" for a specific application. The recommended applications of a device depend on its quality grade, as indicated below. Customers must check the quality grade of each device before using it in a particular application.

Standard: Computers, office equipment, communications equipment, test and measurement equipment, audio and visual equipment, home electronic appliances, machine tools, personal electronic equipment and industrial robots

Special: Transportation equipment (automobiles, trains, ships, etc.), traffic control systems, anti-disaster systems, anti-crime systems, safety equipment and medical equipment (not specifically designed for life support)

Specific: Aircrafts, aerospace equipment, submersible repeaters, nuclear reactor control systems, life support systems or medical equipment for life support, etc.

The quality grade of NEC devices is "Standard" unless otherwise specified in NEC's Data Sheets or Data Books. If customers intend to use NEC devices for applications other than those specified for Standard quality grade, they should contact an NEC sales representative in advance.

Anti-radioactive design is not implemented in this product.