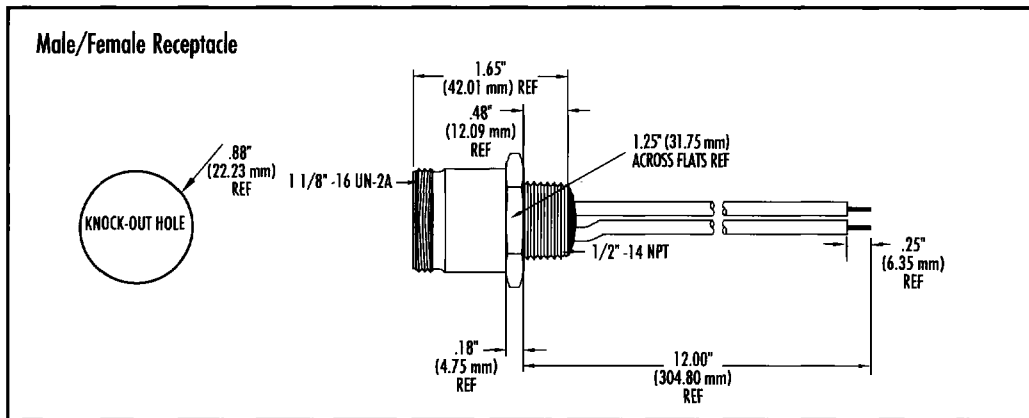


Mini-Change® 9/10/12 Pole Receptacles

Product Specifications

| | |
|---|---|
| <p>MECHANICAL INSERT MATERIAL: PVC SHELL MATERIAL: ANODIZED ALUMINUM (ALSO AVAILABLE IN STAINLESS STEEL OR NON-METALLIC) CONTACT MATERIAL: BRASS CONTACT PLATING: GOLD - 5µ IN. (MIN) PALLADIUM/NICKEL - 20µ IN. (MIN) WIRE TYPE(S): 16 AWG WITH PVC INSULATION, 600V CABLE STRANDING: 65 X #34</p> <p>ELECTRICAL VOLTAGE RATING: 600VAC/600VDC CONTACT RESISTANCE: ≤5mΩ, (AFTER 100 MATE/UNMATE CYCLES - PER MIL STD. 1344, 3004.1) ISOLATION RESISTANCE: ≥1000MΩ</p> | <p>ENVIRONMENTAL PROTECTION: IP 68, NEMA 6P - PER NEMA STD. 250 AMBIENT OPERATING TEMP: -20° TO +105°C HIGH PRESSURE WATER SPRAY: 1000 PSI</p> <p>CERTIFICATIONS UL: UL RECOGNIZED, FILE NO. E46237 CSA: CSA CERTIFIED, FILE NO. LR6837 VDE: SPACINGS TO VDE 0110 GROUP C (250VAC/300VDC)</p> |
|---|---|



RECEPTACLE WITH 12" PIGTAIL LEADS

| POLES | FACE VIEW MALE | WIRING CODE | CURRENT RATING @ 600V | MALE | FEMALE |
|-------|----------------|---|-----------------------|-------|--------|
| 9 | | 1-ORANGE 2-BLUE 3-RED-BLK.TR. 4-GREEN-BLK.TR. 5-WHITE 6-RED 7-GREEN 8-WHITE-BLK.TR. 9-BLACK | 7A | 47005 | 47007 |
| 10 | | 1-ORANGE 2-BLUE 3-WHITE-BLK.TR. 4-RED-BLK.TR. 5-GREEN-BLK.TR. 6-ORANGE-BLK.TR. 7-RED 8-GREEN 9-BLACK 10-WHITE | 7A | 47205 | 47207 |
| 12 | | 1-ORANGE 2-BLUE 3-WHITE-BLK.TR. 4-RED-BLK.TR. 5-GREEN-BLK.TR. 6-ORANGE-BLK.TR. 7-BLUE-BLK.TR. 8-BLACK-WHT.TR. 9-GREEN 10-RED 11-WHITE 12-BLACK | 5A | 47405 | 47407 |