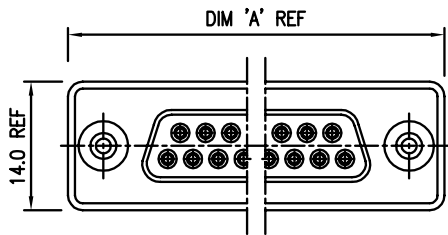
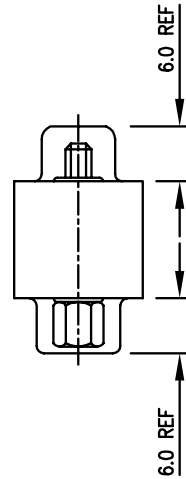
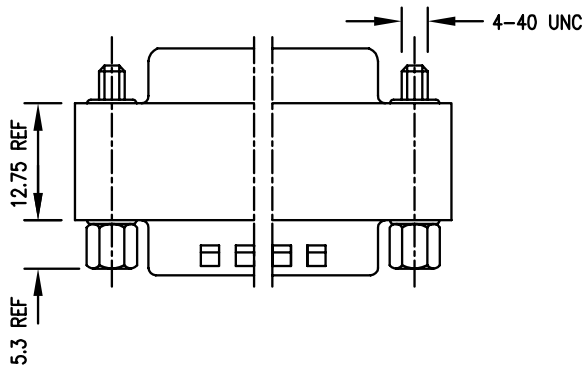
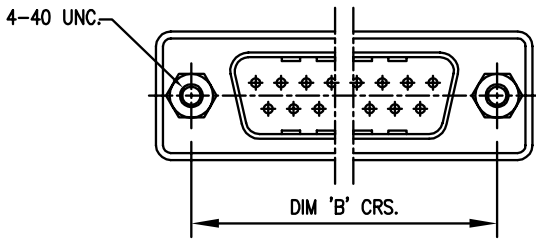


Male/Female Filter Adaptor



Technical, Part Numbering Information

	Working Voltage	Proof Voltage	Capacitance To Ground	Capacitance Tolerance	Temperature Range	DIM "A" REF.	DIM "B" REF.
FA 9 PS/1 FA 9 PS/3	200V DC OR AC PEAK	500V	1000 pF	+80% - 20%	-40° +125°C	32.7	24.99
			330 pF	+50% - 20%			
FA 15 PS/1 FA 15 PS/3	200V DC OR AC PEAK	500V	1000 pF	+80% - 20%	-40° +125°C	41.0	33.32
			330 pF	+50% - 20%			
FA 25 PS/1 FA 25 PS/1	200V DC OR AC PEAK	500V	1000 pF	+80% - 20%	-40° +125°C	54.9	47.04
			330 pF	+50% - 20%			
FA 37 PS/1 FA 37 PS/1	200V DC OR AC PEAK	500V	1000 pF	+80% - 20%	-40° +125°C	71.2	63.50
			330 pF	+50% - 20%			