

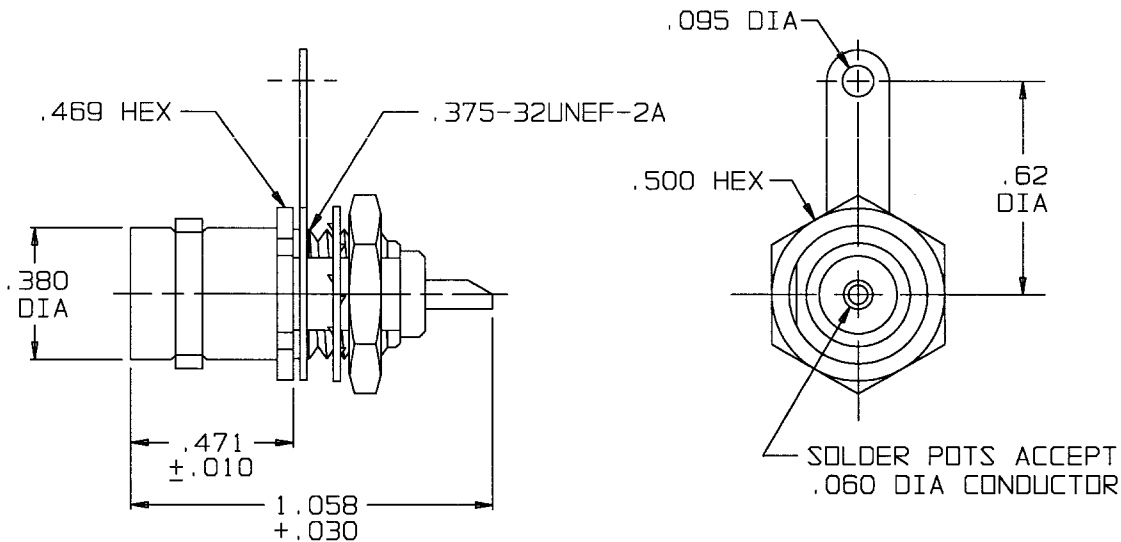
# RED INDICATES ORIGINAL

DATA CONTAINED IN THIS DOCUMENT IS PROPRIETARY TO TROMPETER ELECTRONICS INC. AND SHALL NOT BE DISCLOSED, COPIED OR USED FOR PROCUREMENT OR MANUFACTURE WITHOUT EXPRESS WRITTEN PERMISSION.

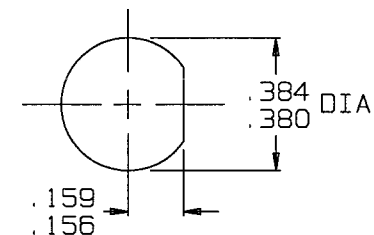
DWG SIZE  
**A**

REVISIONS			105-0977		SH 1C
REV	ECO	DESCRIPTION	DWN	APPROVED	DATE
B	12542	REVISED REDRAWN AND GENERAL UPDATE; CHANGED ITEM 2, S/B 5413-20; SEE ECO	DKC	<i>WM</i>	7-14-98

INCH	MM
.005	0.13
.030	0.76
.095	2.41
.125	3.18
.156	3.96
.159	4.04
.380	9.65
.384	9.75
.469	11.91
.471	11.96
.500	12.70
.62	15.75
1.058	26.87



-1 SHOWN



RECOMMENDED  
PANEL CUTOUT

5. PURCHASE FROM SEASTROM MFG CO.  
800 634-2356

4. COAXIAL BNC TYPE SOLDER  
POT BULKHEAD MOUNT  
RECEPTACLE, 50 & 75 OHM  
VERSIONS WITH SOLDER LUG

3. MAX PANEL THK .125

2. FINISH: TFS-1A (NICKEL)

1. ALL DIM ARE IN INCHES

QTY	DESCRIPTION		PART NUMBER	ITEM
TOL UNLESS SPECIFIED		<b>TROMPETER ELECTRONICS, INC.</b>	U/BJ20SL	
.XX ±				
.XXX ±.005				
.XXXX ±				
ANGLES ±				
DWN	DKC	9-10-98	MATERIAL	CODE IDENT
CHK	<i>WM</i>	9-14-98		<b>14949</b>
ENGR				
APPR	<i>WM</i>	9-14-98	SCALE 2/1	DATE 1-27-97
NEXT ASSY			SHEET	1C