

DATA CONTAINED IN THIS DOCUMENT IS PROPRIETARY TO TROMPETER ELECTRONICS, INC. AND SHALL NOT BE DISCLOSED, COPIED OR USED FOR PROCUREMENT OR MANUFACTURE WITHOUT EXPRESS WRITTEN PERMISSION.

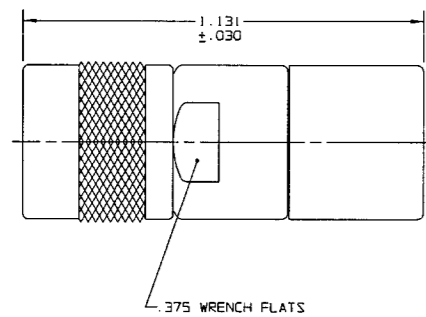
REV		ECO		DESCRIPTION	OWN	APPROVED	SH	DATE
M	13543			MODIFY NOTE 3 SHEET 1 & NOTE 4 SHEET 2 SEE ECO	R L	<i>RL</i>	3-0029	8/23/00

DASH NO	DESCRIPTION
-1	TERM (NO CHAIN)
-2	TERM WITH 2.5 BRASS CHAIN
-3	TERM WITH 2.5 NYLON CHAIN
-4	TERM WITH 3.0 BRASS CHAIN
-5	TERM WITH 3.0 NYLON CHAIN
-6	TERM WITH 6.0 BRASS CHAIN
-7	TERM WITH 6.0 NYLON CHAIN
-8	TERM WITH 4.0 BRASS CHAIN
-9	TERM WITH 4.0 NYLON CHAIN
-10	TERM WITH 10.0 BRASS CHAIN
-11	TERM WITH 10.0 NYLON CHAIN
-12	TERM WITH 2.5 SST ROPE
-13	TERM WITH 3.0 SST ROPE
-14	TERM WITH 6.0 SST ROPE
-15	TERM WITH 4.0 SST ROPE
-16	TERM WITH 7.5 SST ROPE
-17	TERM WITH 4.5 SST ROPE

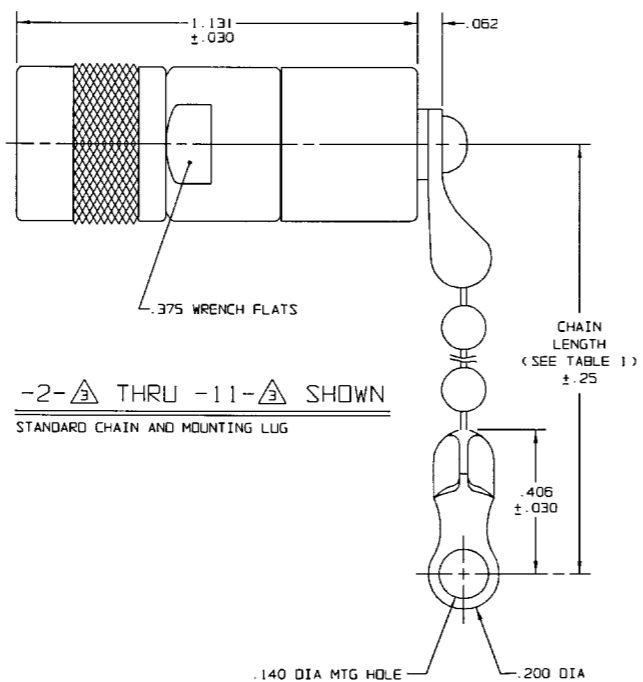
DASH NO	"A" DIA	"B" DIA	"C" DIM	"D" DIM
-02	.630	.750	1.066	.450
-03	.505	.625	.941	.388
-04	.439	.562	.878	.355
-05	.380	.500	.816	.325
-06	.317	.437	.753	.295
-07	.281	.406	.722	.278
-08	.610	.750	1.066	.450
-09	.567	.687	1.003	.419
-008	.330	.450	.766	.300

INCH	MM	INCH	MM	INCH	MM	INCH	MM	INCH	MM	INCH	MM
.005	0.13	.290	7.37	.406	10.31	.567	14.40	.878	22.30	7.0	177.80
.010	0.25	.295	7.49	.419	10.64	.610	15.49	.941	23.90	10.0	254.00
.030	0.76	.300	7.62	.437	11.10	.625	15.88	1.003	25.48		
.032	0.81	.317	8.05	.439	11.15	.630	16.00	1.066	27.08		
.062	1.57	.325	8.26	.450	11.43	.687	17.45	1.131	28.73		
.140	3.56	.330	8.38	.460	11.68	.722	18.34	2.5	63.50		
.200	5.08	.355	9.02	.500	12.70	.750	19.05	3.0	76.20		
.25	6.35	.375	9.53	.505	12.83	.753	19.13	4.0	101.60		
.278	7.06	.380	9.65	.56	14.22	.766	19.46	4.5	114.30		
.281	7.14	.388	9.86	.562	14.27	.816	20.73	6.0	152.40		

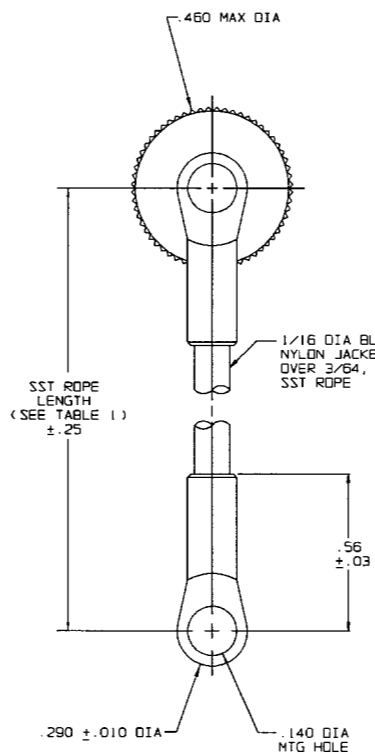
RED INDICATES ORIGINAL



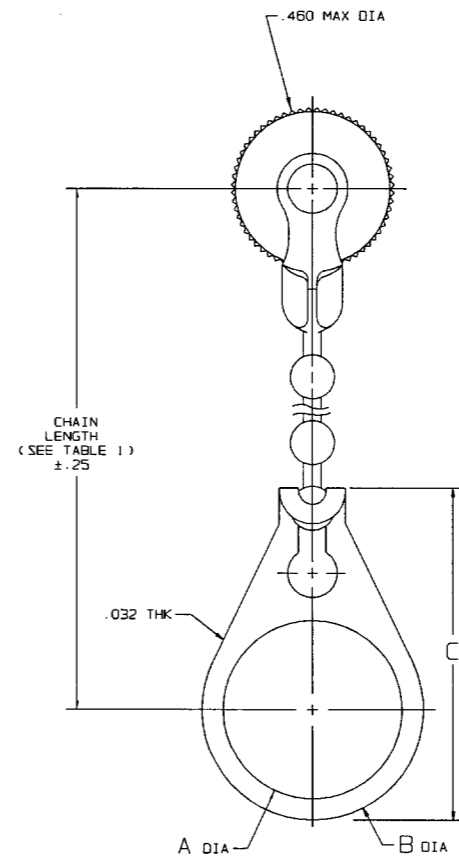
-1- **3** SHOWN
NO CHAIN STAINLESS STEEL ROPE OR MOUNTING LUG



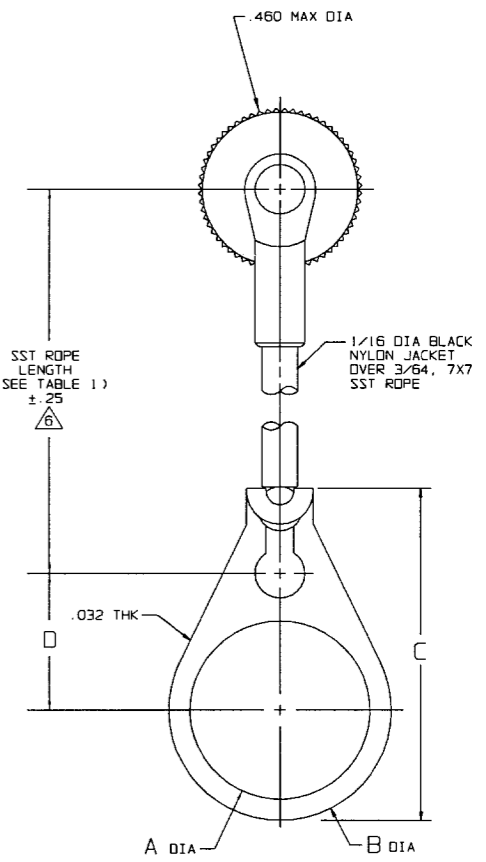
-2- **3** THRU -11- **3** SHOWN
STANDARD CHAIN AND MOUNTING LUG



-12- **3** THRU
-17- **3** SHOWN
STAINLESS STEEL ROPE AND MOUNTING LUG



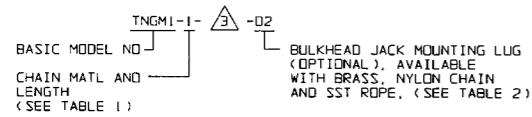
-2- **3** -02 THRU
-11- **3** -008 SHOWN
STANDARD CHAIN AND BULKHEAD JACK MOUNTING LUG



-12- **3** -02 THRU
-17- **3** -008 SHOWN
STAINLESS STEEL ROPE AND BULKHEAD JACK MOUNTING LUG

6 NOTE THAT LENGTH FOR SST ROPE WITH MOUNTING LUG OPTION IS NOT MEASURED TO CENTER OF BULKHEAD MOUNTING LUG

5. EXAMPLE OF COMPLETE MODEL NO:

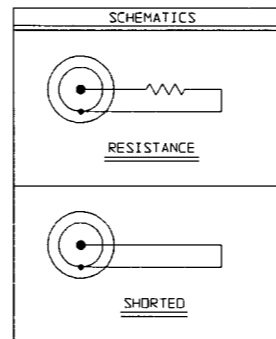


4. PIN CONTACT TRS SERIES CONCENTRIC TWINAX/ TRIAX 3 LUG SUBMINIATURE TERMINATED CABLE PLUG

3 RESISTANCE VALUE IN OHMS (1/8, 1/2)
S* = CONTACT SHORTED TO INNER SHIELD (NO RESISTOR) **4**
0* = LOOSELY ASSEMBLED (NO RESISTOR)

2. FINISH: TFS-1A (NICKEL)

1. ALL DIM ARE IN INCHES



QTY	DESCRIPTION	PART NUMBER	ITEM
TOL UNLESS SPECIFIED XX ± .XXX ± .005 XXXXX ANGLES	TROMPETER ELECTRONICS, INC.	TNGM1	
OWN R L B/4/00	MATERIAL	CODE IDENT	DRAWING NO.
CHK <i>RLM</i> 8/21/00		14949	3-0029
ENGR			REV M
APPR <i>RLM</i> 8/21/00	SCALE 4/1	DATE 8-11-00	SHEET 1C



[Search](#) |
 [Parts Entry](#) |
 [Product Category](#) |
 [Product Selection](#) |
 [View Cart](#) |
 [Check Out](#) |
 [Log In](#) |
 [Log Off](#)

Current Selected Criteria: Part Number Beginning With "TNGM1-6-78"

When placing an order for bulk cable in lengths other than /100, /200, /500, and /1000 ft a \$10 cutting charge per length will be added to your order by the factory

Add to Cart Instructions: Enter A Quantity Then Click on the View Cart or Checkout Tabs

[< Go Back](#)

*Click on Highlighted Part Number to View Engineering PDF Specs **Historical shipping history on this part for most recent months is XX days

Part Number	Description	ITAR	RoHS	Usually Ships In**	View Discounts	Quote	Price	Buy Quantity
TNGM1-6-78	TERMINATION	Y	RoHS-5	30 DAYS	View Discounts	Quote	\$41.40	



[Search](#)
[Parts Entry](#)
[Product Category](#)
[Product Selection](#)
[View Cart](#)
[Check Out](#)
[Log In](#)
[Log Off](#)

Current Selected Criteria: Part Number Beginning With "TNGM1-6-0"
When placing an order for bulk cable in lengths other than /100, /200, /500, and /1000 ft a \$10 cutting charge per length will be added to your order by the factory
Add to Cart Instructions: Enter A Quantity Then Click on the View Cart or Checkout Tabs
[< Go Back](#)

[*Click on Highlighted Part Number to View Engineering PDF Specs](#)
****Historical shipping history on this part for most recent months is XX days**

Part Number	Description	ITAR	RoHS	Usually Ships In**	View Discounts	Quote	Price	Buy Quantity
TNGM1-6-0	TERMINATION	Y	RoHS-5	STOCK	View Discounts	Quote	\$37.17	



[Search](#) |
 [Parts Entry](#) |
 [Product Category](#) |
 [Product Selection](#) |
 [View Cart](#) |
 [Check Out](#) |
 [Log In](#) |
 [Log Off](#)

Current Selected Criteria: Part Number Beginning With "TNGM1-5-78-D4"

When placing an order for bulk cable in lengths other than /100, /200, /500, and /1000 ft a \$10 cutting charge per length will be added to your order by the factory

Add to Cart Instructions: Enter A Quantity Then Click on the View Cart or Checkout Tabs

[< Go Back](#)

*Click on Highlighted Part Number to View Engineering PDF Specs **Historical shipping history on this part for most recent months is XX days

Part Number	Description	ITAR	RoHS	Usually Ships In**	View Discounts	Quote	Price	Buy Quantity
TNGM1-5-78-D4	TERMINATION	Y	RoHS-5	30 DAYS	View Discounts	Quote	\$0.00	



[Search](#) |
 [Parts Entry](#) |
 [Product Category](#) |
 [Product Selection](#) |
 [View Cart](#) |
 [Check Out](#) |
 [Log In](#) |
 [Log Off](#)

Current Selected Criteria: Part Number Beginning With "TNGM1-5-3000"

When placing an order for bulk cable in lengths other than /100, /200, /500, and /1000 ft a \$10 cutting charge per length will be added to your order by the factory

Add to Cart Instructions: Enter A Quantity Then Click on the View Cart or Checkout Tabs

[< Go Back](#)

*Click on Highlighted Part Number to View Engineering PDF Specs **Historical shipping history on this part for most recent months is XX days

Part Number	Description	ITAR	RoHS	Usually Ships In**	View Discounts	Quote	Price	Buy Quantity
TNGM1-5-3000	TERMINATION	Y	Non-Compliant	30 DAYS	View Discounts	Quote	\$41.40	



[Search](#) |
 [Parts Entry](#) |
 [Product Category](#) |
 [Product Selection](#) |
 [View Cart](#) |
 [Check Out](#) |
 [Log In](#) |
 [Log Off](#)

Current Selected Criteria: Part Number Beginning With "TNGM1-4-78"

When placing an order for bulk cable in lengths other than /100, /200, /500, and /1000 ft a \$10 cutting charge per length will be added to your order by the factory

Add to Cart Instructions: Enter A Quantity Then Click on the View Cart or Checkout Tabs

[< Go Back](#)

*Click on Highlighted Part Number to View Engineering PDF Specs **Historical shipping history on this part for most recent months is XX days

Part Number	Description	ITAR	RoHS	Usually Ships In**	View Discounts	Quote	Price	Buy Quantity
TNGM1-4-78	TERMINATION	Y	RoHS-5	30 DAYS	View Discounts	Quote	\$41.40	



[Search](#) |
 [Parts Entry](#) |
 [Product Category](#) |
 [Product Selection](#) |
 [View Cart](#) |
 [Check Out](#) |
 [Log In](#) |
 [Log Off](#)

Current Selected Criteria: Part Number Beginning With "TNGM1-4-3000"

When placing an order for bulk cable in lengths other than /100, /200, /500, and /1000 ft a \$10 cutting charge per length will be added to your order by the factory

Add to Cart Instructions: Enter A Quantity Then Click on the View Cart or Checkout Tabs

[< Go Back](#)

*Click on Highlighted Part Number to View Engineering PDF Specs
shipping history on this part for most recent months is XX days

**Historical

Part Number	Description	ITAR	RoHS	Usually Ships In**	View Discounts	Quote	Price	Buy Quantity
TNGM1-4-3000	TERMINATION	Y	Non-Compliant	30 DAYS	View Discounts	Quote	\$41.40	



[Search](#) |
 [Parts Entry](#) |
 [Product Category](#) |
 [Product Selection](#) |
 [View Cart](#) |
 [Check Out](#) |
 [Log In](#) |
 [Log Off](#)

Current Selected Criteria: Part Number Beginning With "TNGM1-3-78"

When placing an order for bulk cable in lengths other than /100, /200, /500, and /1000 ft a \$10 cutting charge per length will be added to your order by the factory

Add to Cart Instructions: Enter A Quantity Then Click on the View Cart or Checkout Tabs

[< Go Back](#)

*Click on Highlighted Part Number to View Engineering PDF Specs **Historical shipping history on this part for most recent months is XX days

Part Number	Description	ITAR	RoHS	Usually Ships In**	View Discounts	Quote	Price	Buy Quantity
TNGM1-3-78	TERMINATION	Y	RoHS-5	30 DAYS	View Discounts	Quote	\$41.40	



[Search](#) |
 [Parts Entry](#) |
 [Product Category](#) |
 [Product Selection](#) |
 [View Cart](#) |
 [Check Out](#) |
 [Log In](#) |
 [Log Off](#)

Current Selected Criteria: Part Number Beginning With "TNGM1-3-3000"

When placing an order for bulk cable in lengths other than /100, /200, /500, and /1000 ft a \$10 cutting charge per length will be added to your order by the factory

Add to Cart Instructions: Enter A Quantity Then Click on the View Cart or Checkout Tabs

[< Go Back](#)

*Click on Highlighted Part Number to View Engineering PDF Specs
shipping history on this part for most recent months is XX days

**Historical

Part Number	Description	ITAR	RoHS	Usually Ships In**	View Discounts	Quote	Price	Buy Quantity
TNGM1-3-3000	TERMINATION	N	Non-Compliant	30 DAYS	View Discounts	Quote	\$41.40	



[Search](#) |
 [Parts Entry](#) |
 [Product Category](#) |
 [Product Selection](#) |
 [View Cart](#) |
 [Check Out](#) |
 [Log In](#) |
 [Log Off](#)

Current Selected Criteria: Part Number Beginning With "TNGM1-2-78"

When placing an order for bulk cable in lengths other than /100, /200, /500, and /1000 ft a \$10 cutting charge per length will be added to your order by the factory

Add to Cart Instructions: Enter A Quantity Then Click on the View Cart or Checkout Tabs

[< Go Back](#)

*Click on Highlighted Part Number to View Engineering PDF Specs **Historical shipping history on this part for most recent months is XX days

Part Number	Description	ITAR	RoHS	Usually Ships In**	View Discounts	Quote	Price	Buy Quantity
TNGM1-2-78	TERMINATION	Y	RoHS-5	30 DAYS	View Discounts	Quote	\$41.40	

[Search](#) |
 [Parts Entry](#) |
 [Product Category](#) |
 [Product Selection](#) |
 [View Cart](#) |
 [Check Out](#) |
 [Log In](#) |
 [Log Off](#)

Current Selected Criteria: Part Number Beginning With "TNGM1-1-78"

When placing an order for bulk cable in lengths other than /100, /200, /500, and /1000 ft a \$10 cutting charge per length will be added to your order by the factory

Add to Cart Instructions: Enter A Quantity Then Click on the View Cart or Checkout Tabs

[< Go Back](#)

*Click on Highlighted Part Number to View Engineering PDF Specs **Historical shipping history on this part for most recent months is XX days

Part Number	Description	ITAR	RoHS	Usually Ships In**	View Discounts	Quote	Price	Buy Quantity
TNGM1-1-78	TERMINATION,TRS N	N	RoHS-5	30 DAYS	View Discounts	Quote	\$35.93	



[Search](#) |
 [Parts Entry](#) |
 [Product Category](#) |
 [Product Selection](#) |
 [View Cart](#) |
 [Check Out](#) |
 [Log In](#) |
 [Log Off](#)

Current Selected Criteria: Part Number Beginning With "TNGM1-1-75"

When placing an order for bulk cable in lengths other than /100, /200, /500, and /1000 ft a \$10 cutting charge per length will be added to your order by the factory

Add to Cart Instructions: Enter A Quantity Then Click on the View Cart or Checkout Tabs

[< Go Back](#)

*Click on Highlighted Part Number to View Engineering PDF Specs **Historical shipping history on this part for most recent months is XX days

Part Number	Description	ITAR	RoHS	Usually Ships In**	View Discounts	Quote	Price	Buy Quantity
TNGM1-1-75	TERMINATION	N	RoHS-5	STOCK	View Discounts	Quote	\$35.93	

[Search](#) |
 [Parts Entry](#) |
 [Product Category](#) |
 [Product Selection](#) |
 [View Cart](#) |
 [Check Out](#) |
 [Log In](#) |
 [Log Off](#)

Current Selected Criteria: Part Number Beginning With "TNGM1-13-77-D4"

When placing an order for bulk cable in lengths other than /100, /200, /500, and /1000 ft a \$10 cutting charge per length will be added to your order by the factory

Add to Cart Instructions: Enter A Quantity Then Click on the View Cart or Checkout Tabs

[< Go Back](#)

*Click on Highlighted Part Number to View Engineering PDF Specs **Historical shipping history on this part for most recent months is XX days

Part Number	Description	ITAR	RoHS	Usually Ships In**	View Discounts	Quote	Price	Buy Quantity
TNGM1-13-77-D4	TERMINATION	Y	Non-Compliant	30 DAYS	View Discounts	Quote	\$88.64	

[Search](#) |
 [Parts Entry](#) |
 [Product Category](#) |
 Product Selection |
 [View Cart](#) |
 [Check Out](#) |
 [Log In](#) |
 [Log Off](#)

Current Selected Criteria: Part Number Beginning With "TNGM1-1-3000"

When placing an order for bulk cable in lengths other than /100, /200, /500, and /1000 ft a \$10 cutting charge per length will be added to your order by the factory

Add to Cart Instructions: Enter A Quantity Then Click on the View Cart or Checkout Tabs

[< Go Back](#)

*Click on Highlighted Part Number to View Engineering PDF Specs **Historical shipping history on this part for most recent months is XX days

Part Number	Description	ITAR	RoHS	Usually Ships In**	View Discounts	Quote	Price	Buy Quantity
TNGM1-1-3000	TERMINATION	N	Non-Compliant	30 DAYS	View Discounts	Quote	\$35.93	

[Search](#) |
 [Parts Entry](#) |
 [Product Category](#) |
 [Product Selection](#) |
 [View Cart](#) |
 [Check Out](#) |
 [Log In](#) |
 [Log Off](#)

Current Selected Criteria: Part Number Beginning With "TNGM1-1-300"

When placing an order for bulk cable in lengths other than /100, /200, /500, and /1000 ft a \$10 cutting charge per length will be added to your order by the factory

Add to Cart Instructions: Enter A Quantity Then Click on the View Cart or Checkout Tabs

[< Go Back](#)

*Click on Highlighted Part Number to View Engineering PDF Specs **Historical shipping history on this part for most recent months is XX days

Part Number	Description	ITAR	RoHS	Usually Ships In**	View Discounts	Quote	Price	Buy Quantity
TNGM1-1-300	TERMINATION	Y	Call Factory	30 DAYS	View Discounts	Quote	\$0.00	
TNGM1-1-3000	TERMINATION	N	Non-Compliant	30 DAYS	View Discounts	Quote	\$35.93	



[Search](#) |
 [Parts Entry](#) |
 [Product Category](#) |
 [Product Selection](#) |
 [View Cart](#) |
 [Check Out](#) |
 [Log In](#) |
 [Log Off](#)

Current Selected Criteria: Part Number Beginning With "TNGM1-1-2000"

When placing an order for bulk cable in lengths other than /100, /200, /500, and /1000 ft a \$10 cutting charge per length will be added to your order by the factory

Add to Cart Instructions: Enter A Quantity Then Click on the View Cart or Checkout Tabs

[< Go Back](#)

*Click on Highlighted Part Number to View Engineering PDF Specs **Historical shipping history on this part for most recent months is XX days

Part Number	Description	ITAR	RoHS	Usually Ships In**	View Discounts	Quote	Price	Buy Quantity
TNGM1-1-2000	TERMINATION	Y	RoHS-5	30 DAYS	View Discounts	Quote	\$38.33	



[Search](#) |
 [Parts Entry](#) |
 [Product Category](#) |
 [Product Selection](#) |
 [View Cart](#) |
 [Check Out](#) |
 [Log In](#) |
 [Log Off](#)

Current Selected Criteria: Part Number Beginning With "TNGM1-1-156"

When placing an order for bulk cable in lengths other than /100, /200, /500, and /1000 ft a \$10 cutting charge per length will be added to your order by the factory

Add to Cart Instructions: Enter A Quantity Then Click on the View Cart or Checkout Tabs

[< Go Back](#)

*Click on Highlighted Part Number to View Engineering PDF Specs **Historical shipping history on this part for most recent months is XX days

Part Number	Description	ITAR	RoHS	Usually Ships In**	View Discounts	Quote	Price	Buy Quantity
TNGM1-1-156	TERMINATION	Y	Call Factory	30 DAYS	View Discounts	Quote	\$38.33	

[Search](#) |
 [Parts Entry](#) |
 [Product Category](#) |
 Product Selection |
 [View Cart](#) |
 [Check Out](#) |
 [Log In](#) |
 [Log Off](#)

Current Selected Criteria: Part Number Beginning With "TNGM1-1-127"

When placing an order for bulk cable in lengths other than /100, /200, /500, and /1000 ft a \$10 cutting charge per length will be added to your order by the factory

Add to Cart Instructions: Enter A Quantity Then Click on the View Cart or Checkout Tabs

[< Go Back](#)

*Click on Highlighted Part Number to View Engineering PDF Specs **Historical shipping history on this part for most recent months is XX days

Part Number	Description	ITAR	RoHS	Usually Ships In**	View Discounts	Quote	Price	Buy Quantity
TNGM1-1-127	TERMINATION	Y	RoHS-5	30 DAYS	View Discounts	Quote	\$38.33	



[Search](#) |
 [Parts Entry](#) |
 [Product Category](#) |
 [Product Selection](#) |
 [View Cart](#) |
 [Check Out](#) |
 [Log In](#) |
 [Log Off](#)

Current Selected Criteria: Part Number Beginning With "TNGM1-1-124"

When placing an order for bulk cable in lengths other than /100, /200, /500, and /1000 ft a \$10 cutting charge per length will be added to your order by the factory

Add to Cart Instructions: Enter A Quantity Then Click on the View Cart or Checkout Tabs

[< Go Back](#)

*Click on Highlighted Part Number to View Engineering PDF Specs **Historical shipping history on this part for most recent months is XX days

Part Number	Description	ITAR	RoHS	Usually Ships In**	View Discounts	Quote	Price	Buy Quantity
TNGM1-1-124	TERMINATION	N	RoHS-5	30 DAYS	View Discounts	Quote	\$38.33	



[Search](#) |
 [Parts Entry](#) |
 [Product Category](#) |
 [Product Selection](#) |
 [View Cart](#) |
 [Check Out](#) |
 [Log In](#) |
 [Log Off](#)

Current Selected Criteria: Part Number Beginning With "TNGM1-10-78"

When placing an order for bulk cable in lengths other than /100, /200, /500, and /1000 ft a \$10 cutting charge per length will be added to your order by the factory

Add to Cart Instructions: Enter A Quantity Then Click on the View Cart or Checkout Tabs

[< Go Back](#)

*Click on Highlighted Part Number to View Engineering PDF Specs **Historical shipping history on this part for most recent months is XX days

Part Number	Description	ITAR	RoHS	Usually Ships In**	View Discounts	Quote	Price	Buy Quantity
TNGM1-10-78	TERMINATION	Y	RoHS-5	30 DAYS	View Discounts	Quote	\$41.40	