

HIGH FREQUENCY MAGNETICS

T1/E1 Octal Transformer Modules

TM01108

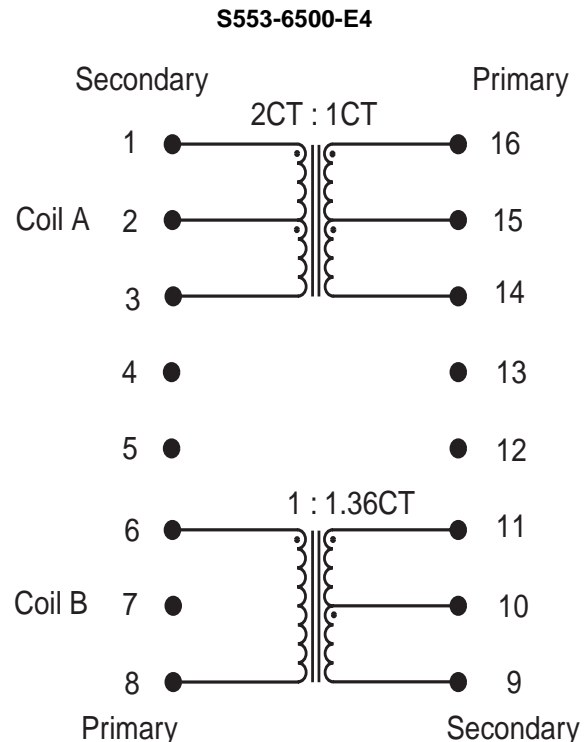
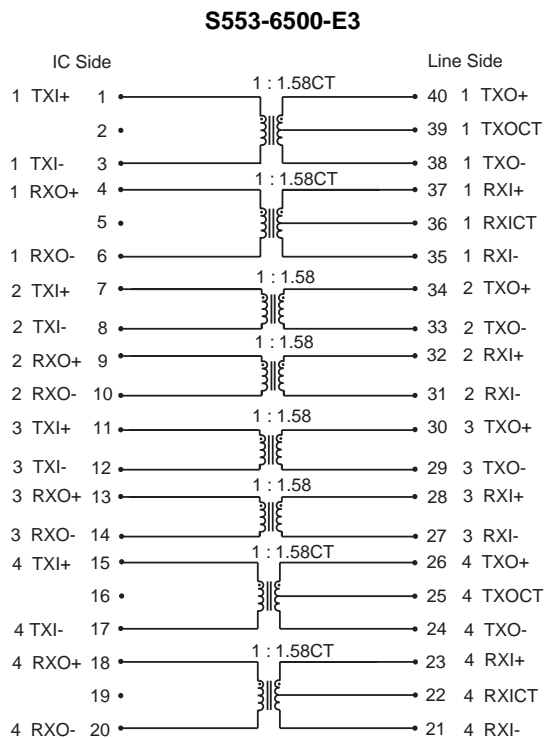
- Optimized for PMC-Sierra PM4318, 75Ω option
- Eight transformers in one surface-mount package
- Two modules:
S553-6500-E3 with eight transformers
S553-6500-E4 with eight transformers and IC-side surge protection devices
- Four transformers have center taps to facilitate Simplex line powering
- Meets ITU-T G.703 return loss from -40° to +85° C
- Operating temperature range -40° to +85°C
- Meets IEC 695, 2-2 flammability requirements
- PWB Process Capability: standard printed wiring board assembly techniques, total-immersion cleaning
- Reliability testing: Shock, vibration, temperature cycling, temperature - humidity - bias
- Interwinding breakdown voltage: 1500 Vrms min
- UL 1950 approved: S553-6500-E3 file number E150991
S553-6500-E4 pending

ELECTRICAL SPECIFICATIONS at 25° C

Part Number	Turns Ratio ±2%		Primary Inductance at 10 kHz		Leakage Inductance at 1 MHz		DCR Ω max				Capacitance pF max	Return Loss at 102 kHz 75Ω Application ¹			
	IC : Line		μH min		μH max		IC Side		Line Side		Winding to Winding	25° C dB typ		-40 to +85° C dB min	
	TX	RX	TX	RX	TX	RX	TX	RX	TX	RX		TX	RX	TX	RX
S553-6500-E3	1 : 1.58	1 : 1.58	950	950	0.3	0.3	0.6	0.6	0.8	0.8	35	20	27	18	23
S553-6500-E4	1 : 1.58	1 : 1.58	950	950	0.3	0.3	0.6	0.6	0.8	0.8	35	20	27	18	23

1. Terminated in 36 Ω for TX and 27 Ω for RX

SCHEMATIC

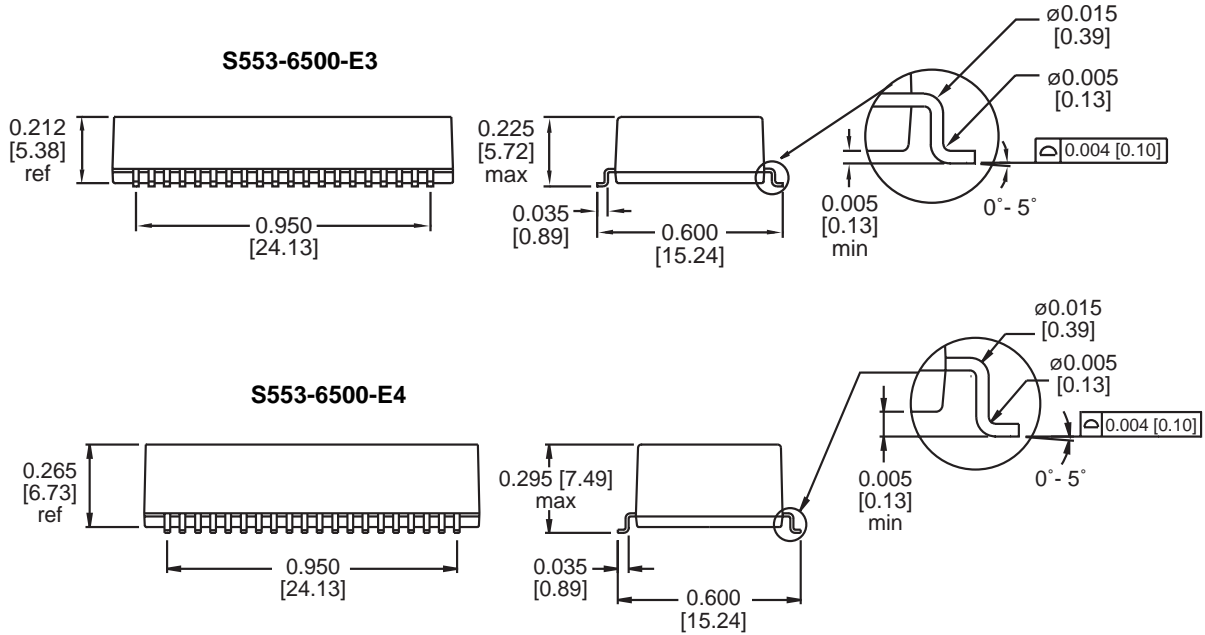
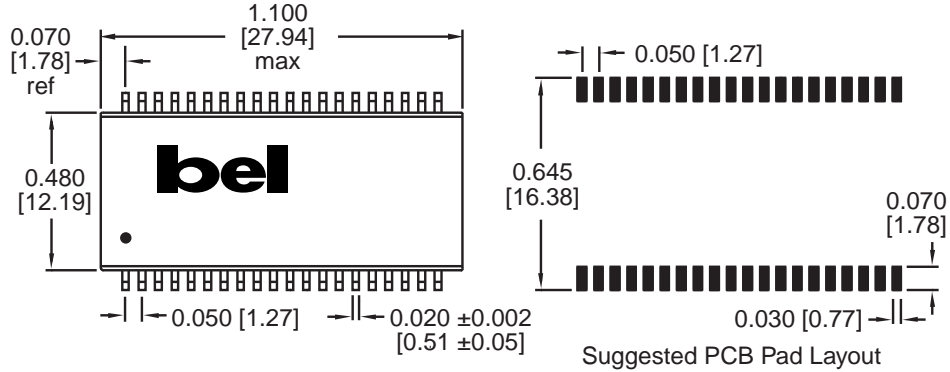


©2007 Bel Fuse Inc. Specifications subject to change without notice. 08.07

TM01108

MECHANICAL

S553-6500-E3
S553-6500-E4



Dimensions are in inches [millimeters].
Standard dimension tolerance is ± 0.005 [0.13] unless otherwise noted.

S553-6500-E4 Surge Protection Devices

TVS Diode Array: Protek PSRDA3.3-4
Number of Arrays: 4

Note: Surge protection provided by the Bel module is equivalent to that advertised in the Protek PRDA3.3-4 product specification.

Tape and Reel Packaging

44 mm wide by 24 mm pitch; 13 inch OD, 6 inch ID
200 modules per reel, maximum
Meets ANSI/EIA 481-2 Carrier Tape Standards - JEDEC SO Package

©2007 Bel Fuse Inc. Specifications subject to change without notice. 08.07

CORPORATE

Bel Fuse Inc.
206 Van Vorst Street
Jersey City, NJ 07302
Tel 201-432-0463
Fax 201-432-9542
www.belfuse.com

FAR EAST

Bel Fuse Ltd.
8F / 8 Luk Hop Street
San Po Kong
Kowloon, Hong Kong
Tel 852-2328-5515
Fax 852-2352-3706
www.belfuse.com

EUROPE

Bel Fuse Europe Ltd.
Preston Technology Management Centre
Marsh Lane, Suite G7, Preston
Lancashire, PR1 8UD, U.K.
Tel 44-1772-556601
Fax 44-1772-888366
www.belfuse.com