

Customer Information Sheet

DRAWING No.: S542-XXAX

SHEET 3 OF 3

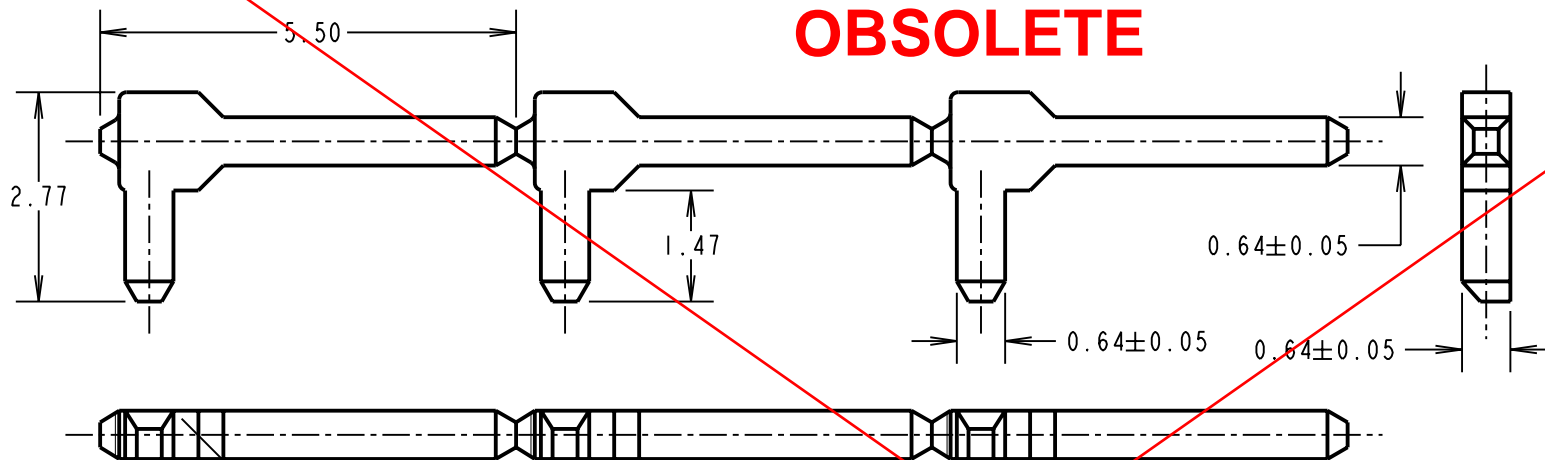
IF IN DOUBT - ASK

©

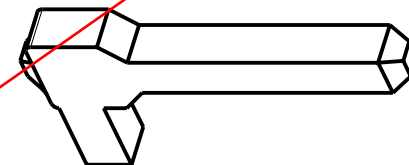
NOT TO SCALE

THIRD ANGLE PROJECTION

ALL DIMENSIONS IN mm



OBSOLETE

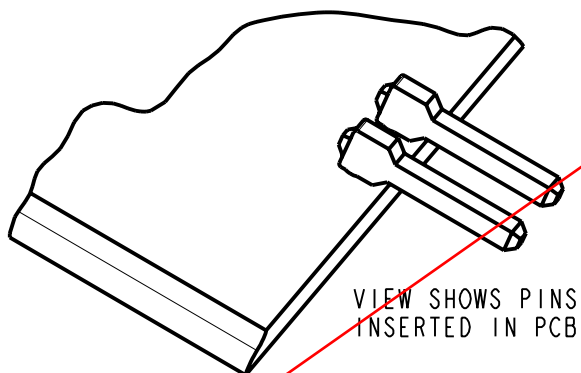


ORDER CODE
S542 - XXAX
 FINISH _____
 06 - TIN/LEAD
 46 - 100% TIN

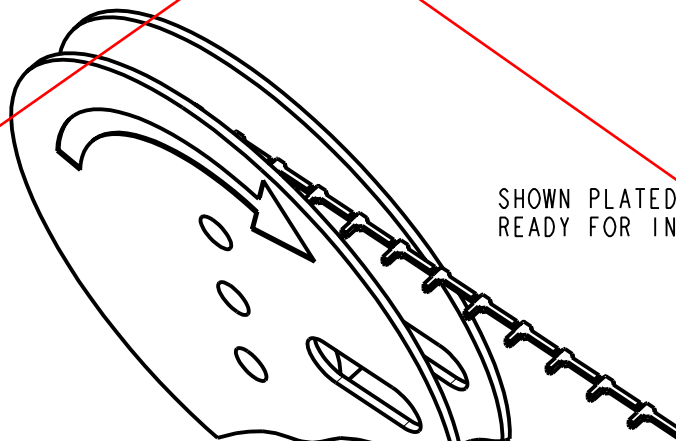
NOTES:

1. RECOMMENDED MOUNTING FINISHED HOLE SIZE = $\varnothing 0.76-0.69\text{mm}$.
2. QUANTITY OF PINS PER REEL = 50K
3. TOTAL WEIGHT PER REEL = 3.35kg.

(0.91)



VIEW SHOWS PINS
 INSERTED IN PCB



SHOWN PLATED REELED
 READY FOR INSERTION

CP	6	03.02.10	8128
NAME	ISS.	DATE	C/NOTE
APPROVED: C.PENROSE			
CHECKED: R.ADDE			
DRAWN: MARK G PLESTED			
CUSTOMER REF.:			
ASSEMBLY DRG:			

HARWIN

THIS DRAWING AND ANY INFORMATION OR DESCRIPTIVE MATTER SET OUT HEREON ARE CONFIDENTIAL AND COPYRIGHT PROPERTY OF THE HARWIN GROUP AND MUST NOT BE DISCLOSED, LOANED, COPIED OR USED FOR MANUFACTURING, TENDERING OR FOR ANY OTHER PURPOSE WITHOUT THEIR WRITTEN PERMISSION.

TOLERANCES

- X. = $\pm 1\text{mm}$
- X.X = $\pm 0.25\text{mm}$
- X.XX = $\pm 0.10\text{mm}$
- X.XXX = $\pm 0.01\text{mm}$
- ANGLES = $\pm 5^\circ$
- UNLESS STATED

MATERIAL:

BRASS CW505L R350
 TO BSEN1652:1997

FINISH: SEE ABOVE

S/AREA: mm²

TITLE:

90 DEGREE TERMINAL PIN

DRAWING NUMBER:

S542-XXAX

SHT
 3 OF 3

HARWIN USA
 TEL: 603 893 5376
 FAX: 603 893 5396
 mis@harwin.com

HARWIN Europe (UK)
 TEL: 023 9231 4545
 FAX: 023 9231 4590
 mis@harwin.co.uk

HARWIN Asia
 TEL: +65 6 779 4909
 FAX: +65 6 779 3868
 mis@harwin.com.sg