

VFTX140

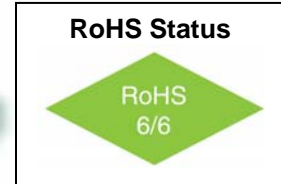
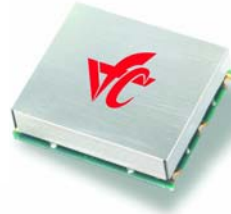
Stratum 3 TCXO to 1.0 GHz

25.4x22mm SMD, PECL/LVPECL



Features

- Stratum 3 Timing Source
- 200MHz to 1.0 GHz Frequency Range
- Ultra Low Jitter and Phase Noise: -118 dBc/Hz @ 1KHz
- Low Power: <220mW typical



Applications

- Sonet / SDH / ATM
- 10 Gigabit Ethernet
- Digital Wireless Reference

Description

The VFTX140 is a Stratum 3 TCXO capable of providing an output frequency up to 1 GHz. The temperature stability is less than 0.28 ppm over a temperature range of -20 °C to +70 °C. Operating with a +3.3 volt power supply the device typically consumes 220 mW. The device contains an internal voltage regulator for improved stability and noise performance. The output is configured as a differential LVPECL signal and requires external termination resistors. The VFTX140 is available in a 25.4mm x 22 mm surface mount package.

Electrical Specifications

Parameter	Symbol	Condition	Min	Typ	Max	Unit	Note	
Frequency Range	F		200		1,000	MHz		
Frequency Stability	$\Delta F/F$	Vs. Operating Temperature D: -20°C to +70°C G: -40°C to +85°C			± 0.28 ± 0.50	ppm ppm		
		Overall conditions including aging 20 years			± 4.6	ppm		
Operating Temperature Range	T		-20° -40°		+70° +85°	°C	Order Code D Order Code G	
Output		Signal	LVPECL					
Supply Voltage	Vcc		3.15	3.30	3.45	V		
Voltage Control	Vc		0		3.3	V		
Input Impedance			10K			Ω		
APR			± 5			ppm		
Deviation slope		<i>Monotonic positive</i>						
Linearity			-10		+10	ppm/V		
Modulation BW			10			Hz	3dB BW	



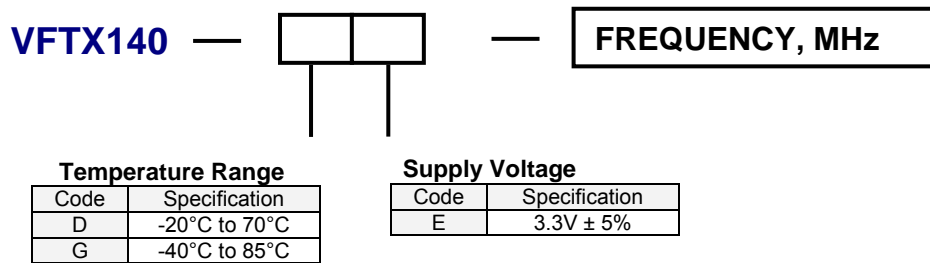
VFTX140
Stratum 3 TCXO to 1.0 GHz
25.4x22mm SMD, PECL/LVPECL



Electrical Specifications

Parameter	Symbol	Condition	Min	Typ	Max	Unit	Note
Input Current	Icc	50 Ohm Load		65	80	mA	
Load	50 Ohm to Vcc-2V or Thevenin Equivalent						
Duty Cycle		@ 50%	45	50	55	%	
Rise / Fall Time	Tr/Tf	20% to 80%			0.6	ns	
Logic "1" Level	Voh		Vcc-0.96		Vcc-0.81	V	
Logic "0" Level	Vol		Vcc-1.85		Vcc-1.65	V	
Start up time				2	10	ms	
Phase Jitter		12KHz to 20MHz		0.25	0.5	ps	
SSB Phase Noise		100Hz 1KHz 10KHz 100KHz		-90 -118 -142 -145		dBc/Hz	@ 622.08 MHz
Setability					0.1	ppm	
Setability Voltage			1.3		1.7	V	
Enable / Disable Function	Input HIGH (>2.5V): DISABLED Input LOW (<0.5V) or floating: ACTIVE					LVCMOS	
Enable / Disable Time	Te/Td				100	ns	

How to Order



VFTX140

Stratum 3 TCXO to 1.0 GHz

25.4x22mm SMD, PECL/LVPECL



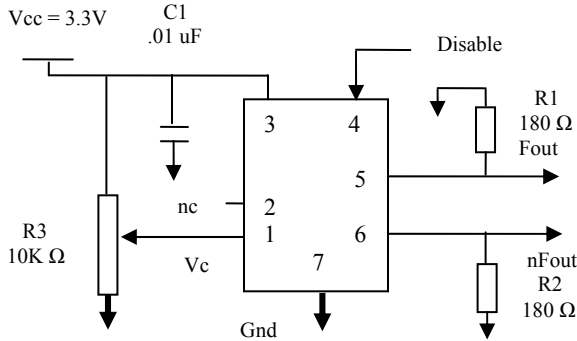
Absolute Maximum Ratings

Parameter	Symbol	Condition	Min	Typ	Max	Unit	Note
Supply Break Down Voltage	Vcc		-0.5		5.5	V	
Storage Temperature	Ts		-55		+105°	°C	
Control Voltage	Vc		-0.5		6	V	

Environmental and Mechanical

Parameter	Specification
Mechanical Shock	Per MIL-STD-202, Method 213, Condition E
Thermal Shock	Per MIL-STD-883, Method 1011, Condition A
Vibration	Per MIL-STD-883, Method 2007, Condition A
Soldering Conditions	260°C for 10s max
Hermetic Seal	Leak rate less than 5×10^{-8} atm.cc/s of helium (crystal only)

Connection Diagram



Pin #	Connection
1	Vc
2	N/C
3	Vcc
4	N/C
5	Output
6	Output
7	GND

Mechanical Outline

