

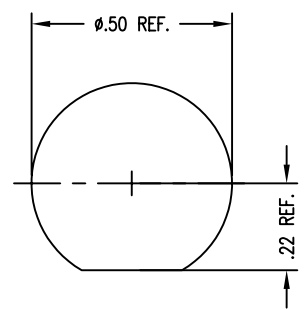
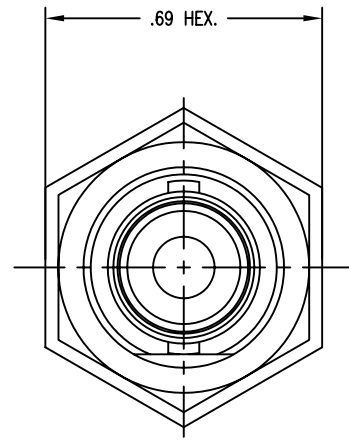
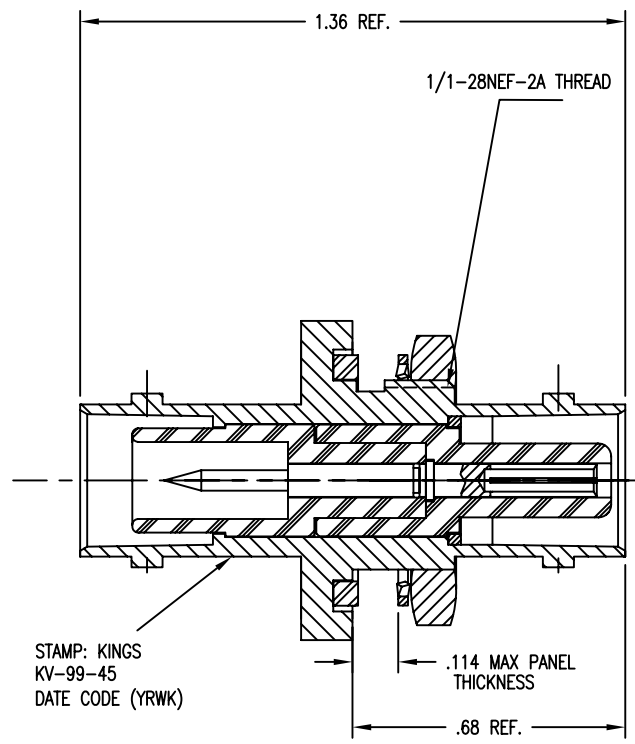
DASH NO. M CODE MADE FROM

GSD

KV-99-45

REVISIONS

ISSUE	CHANGES
1	CN 39499 C REDRAWN AM 06/16/06



"D" TYPE MOUNTING HOLE

GSD

SCALE :

APPROX SURFACE AREA

USED ON

REF:

MHV ADAPTER, POLARIZED STD.

DRAWN AM	DATE 06/16/
DESIGN AM	DATE 06/16/06
APPR.	DATE

KINGS
ELECTRONICS CO., INC.
ROCK HILL, SOUTH CAROLINA 29730

KV-99-45