

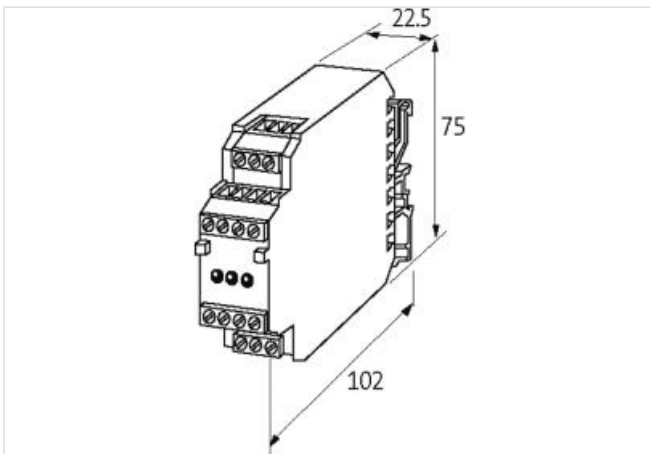
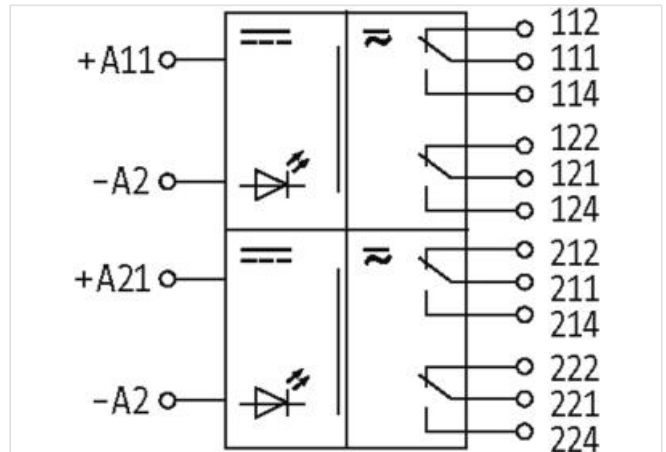
**RM-22/24VAC/DC KL.BZ.EN OUTPUT RELAY**

IN: 24 VAC/DC - OUT: 250 VAC/DC / 5 A

2 relays; each 2 NO/NC contacts  
 8 A  
 24 V DC  
 Screw terminals

[Link to Product](#)

**Illustration**



Product may differ from Image



**Commercial data**

ECLASS-6.0	27371001
ECLASS-6.1	27371601
ECLASS-7.0	27371601
ECLASS-8.0	27371601
ECLASS-9.0	27371601
ECLASS-10.1	27371601

ECLASS-11.1	27371601
ECLASS-12.0	27371601
ETIM-5.0	EC001437
customs tariff number	85364900
GTIN	4048879027601
Packaging unit	1

**Electrical data | Input**

Voltage input AC	24 V
Input voltage AC min.	19,2 V
Input voltage AC max.	30 V
Input voltage DC	24 V
Input voltage DC min.	19,2 V
Input voltage DC max.	30 V
Input current	14 mA

**Electrical data | Output**

Utilization category DC-13 (EN IEC 60947-5-1)	2 A @ 24 V, 0,3 A @ 110 V, 0,2 A @ 230 V
Additional condition switching frequency	with load
Switching frequency max.	0,1 Hz
Power rating AC max.	1250 VA
Power rating DC max.	240 W
Switching voltage AC max.	250 V
Switching voltage DC max.	250 V
Current switching DC	100 mA
Switching current max.	8 A
Switching capacity AC-12 (EN IEC 60947-5-1)	8 A (24/110/230 V AC)

**Diagnostics**

Status indication LED	red
-----------------------	-----

**Device protection**

Condition lifetime	load-dependent
--------------------	----------------

**Device protection | Electrical**

Rated surge voltage	4 kV
Electrical lifetime	20000000 Cycles

**Device protection | Mechanical**

Mechanical endurance	20000000 Cycles
----------------------	-----------------

**Mechanical data**

Drop-out time max.	10 ms
Response time max.	10 ms
Bounce time max.	2 ms

**Mechanical data | Material data**

Material contact	Ag Ni 0.15 hv
------------------	---------------

**Mechanical data | Mounting data**

Mounting method	geschnappt
Suitable for mounting type	Mounting rail TH35, G32, (EN 60715)
Height	75 mm
Width	22,5 mm
Depth	85 mm

**Environmental characteristics | Climatic**

Operating temperature min.	-20 °C
Operating temperature max.	50 °C

**Connection type 4**

Connection type 1	X1
Connection type 2	X2
Connection type 3	X3
Connection type 4	X4
Connection	Screw terminals SK
Family construction form	terminal
Gender	female
Color contact carrier	green
No. of poles	4
PIN 1	212
PIN 2	- A 2
PIN 3	+ A 21
PIN 4	+ A 11
Connection	Screw terminals SK
Family construction form	terminal
Gender	female
Color contact carrier	green
No. of poles	4
PIN 1	114
PIN 2	112
PIN 3	211
PIN 4	214
Connection	Screw terminals SK
Family construction form	terminal
Gender	female
Color contact carrier	green
No. of poles	4
PIN 1	- A 2
PIN 2	222
PIN 3	221
PIN 4	224
Connection	Screw terminals SK
Family construction form	terminal
Gender	female
Color contact carrier	green
No. of poles	4
PIN 1	122
PIN 2	121
PIN 3	124
PIN 4	111