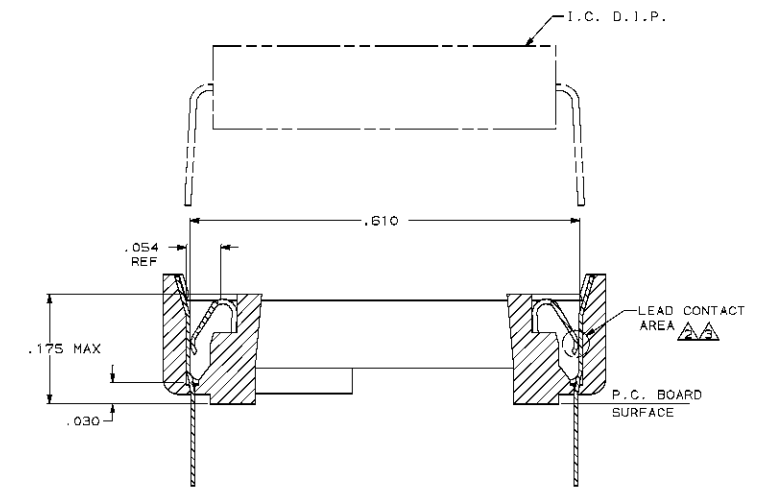
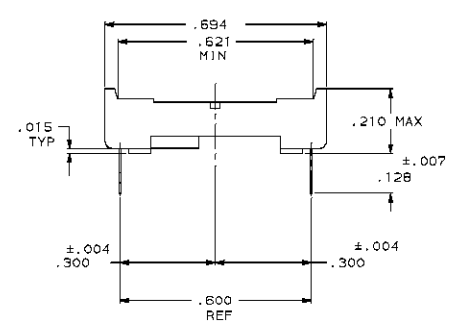
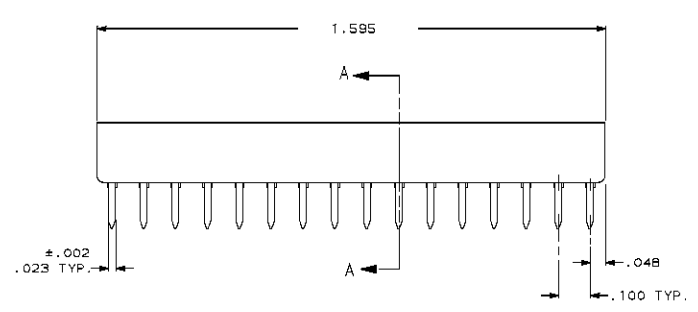
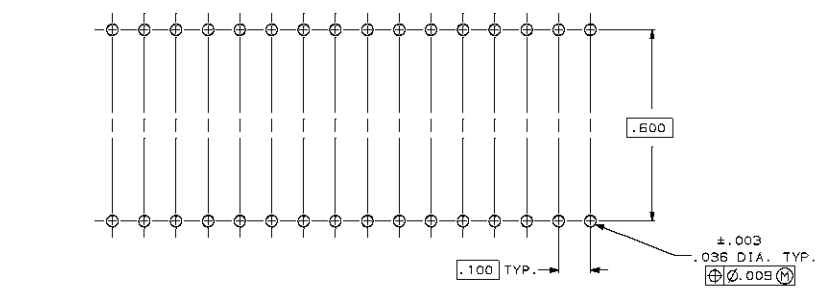


- RECEPTACLE ACCEPTS AN .008-.014 THK. I.C. LEAD.
- TWO .000030 MIN. THK. GOLD STRIPES IN CONTACT AREA, TIN-LEAD (93-7) ON CONTACT LEGS, BALANCE OF CONTACT NICKEL PLATED.
- TWO .000015 MIN. THK. GOLD STRIPES IN CONTACT AREA, TIN-LEAD (93-7) ON CONTACT LEGS, BALANCE OF CONTACT NICKEL PLATED.
- TUBE LOADED FOR AUTOMATIC INSERTION
- SPECIAL PACKAGING.
- SEE RESTRICTED CUSTOMER DRAWING 4-644018-3.



SECTION A-A
SCALE 10:1



RECOMMENDED MOUNTING HOLE PATTERN

SUPERSEDED BY 2-644018-3

TINNED	PHOS. BRZ.	GLASS-FILLED THERMOPLASTIC, 94V-0, BLACK	5-644018-3
TINNED	PHOS. BRZ.	GLASS-FILLED THERMOPLASTIC, 94V-0, BLACK	2-644018-5
TINNED	PHOS. BRZ.	GLASS-FILLED THERMOPLASTIC, 94V-0, BLACK	2-644018-4
TINNED	PHOS. BRZ.	GLASS-FILLED THERMOPLASTIC, 94V-0, BLACK	2-644018-3
TINNED	BE. CU.	GLASS-FILLED THERMOPLASTIC, 94V-0, BLACK	2-644018-2
TINNED	BE. CU.	GLASS-FILLED THERMOPLASTIC, 94V-0, BLACK	2-644018-1
CONTACT FINISH	CONTACT MAT'L	HOUSING MATERIAL	PART NO.

THIS DRAWING IS A CONTROLLED DOCUMENT.

AMP Incorporated
 Harrisburg, PA 17105-3608

SOCKET ASSY, DIP, QTC,
 32 POS, DIPLOMATE™ DL

AMP 100779 644018

CUSTOMER DRAWING