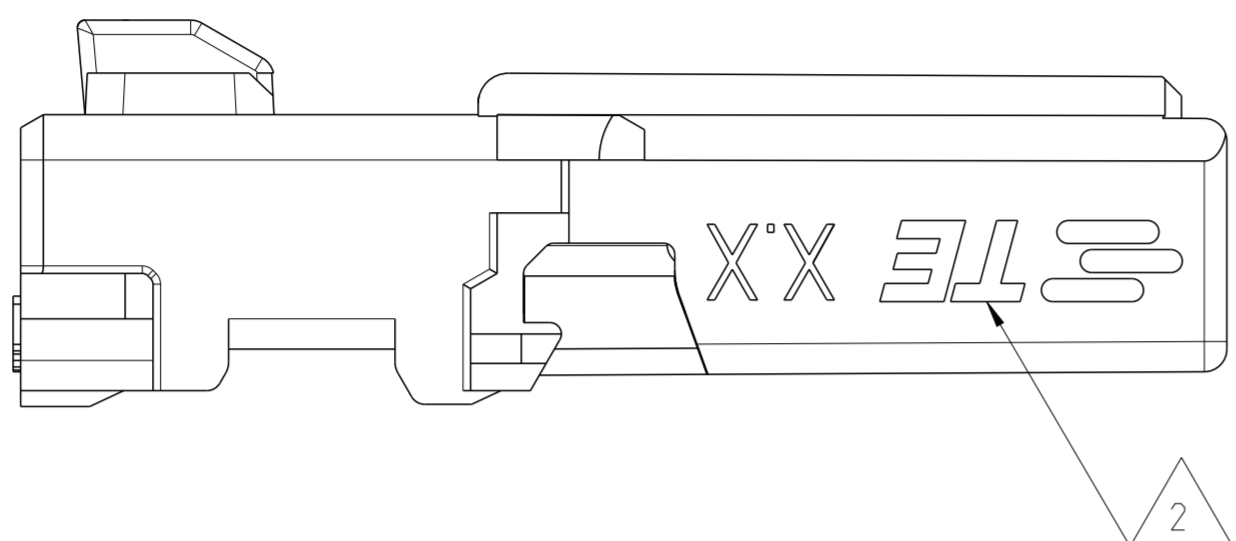


THIS DRAWING IS UNPUBLISHED.
 VERTRAULICHE UNVERÖFFENTLICHTE ZEICHNUNG
 © COPYRIGHT 2017 BY TE Connectivity Germany GmbH

RELEASED FOR PUBLICATION
 FREI FUER VERÖFFENTLICHUNG
 ALL RIGHTS RESERVED.
 ALLE RECHTE VORBEHALTEN.

MATED WITH:
 PASSEND ZU:

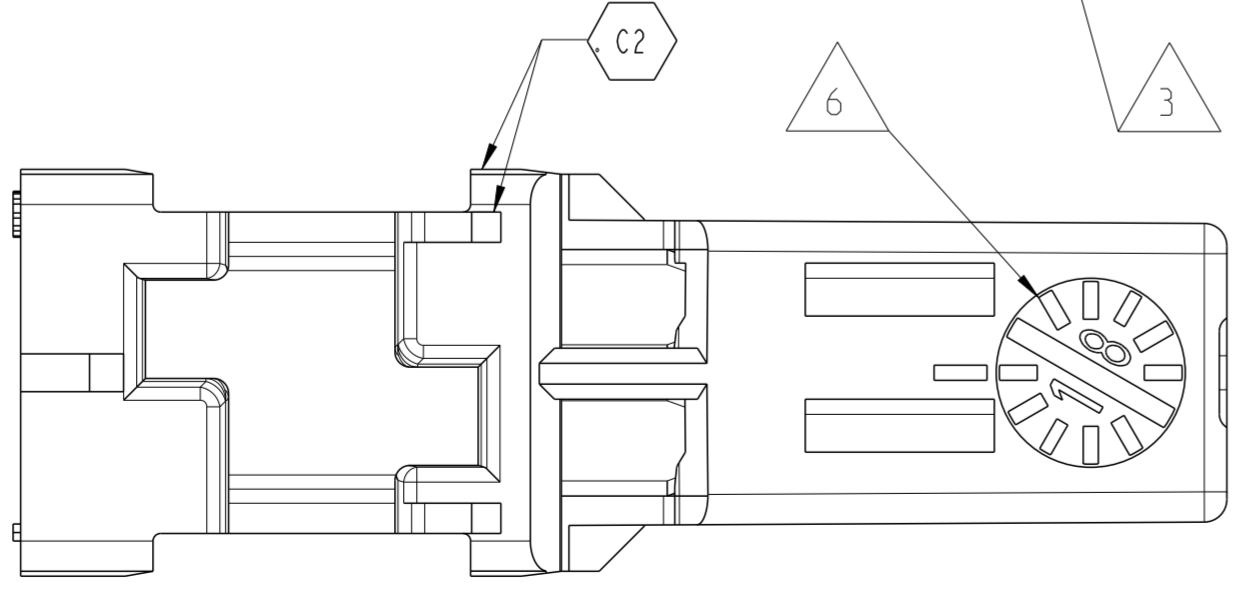
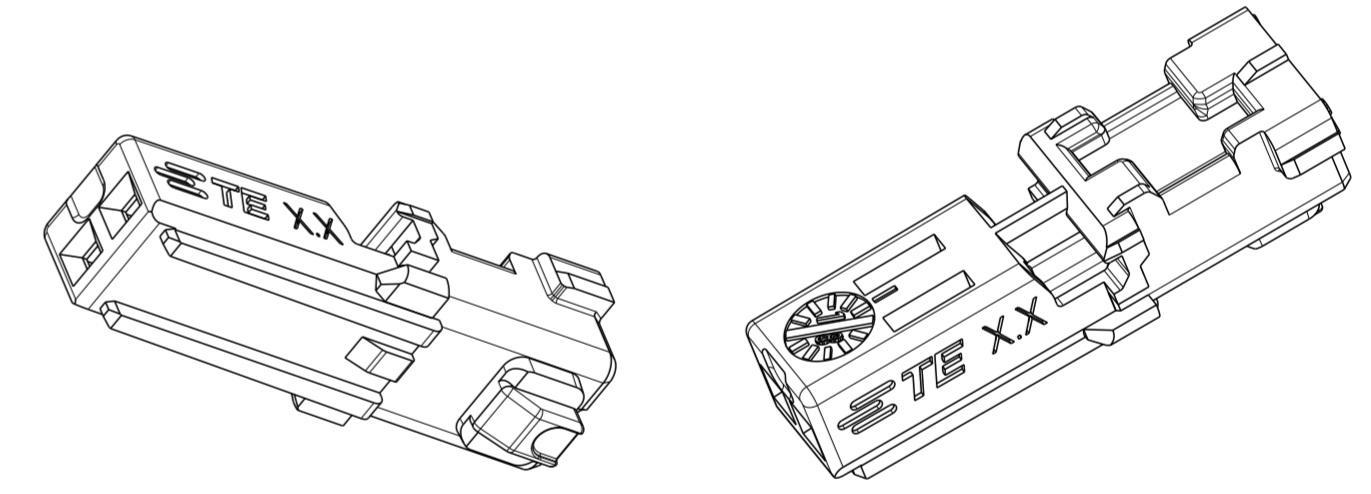
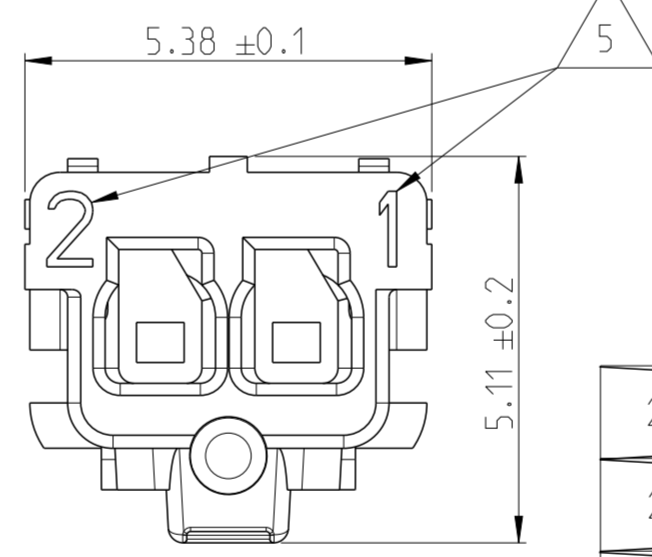
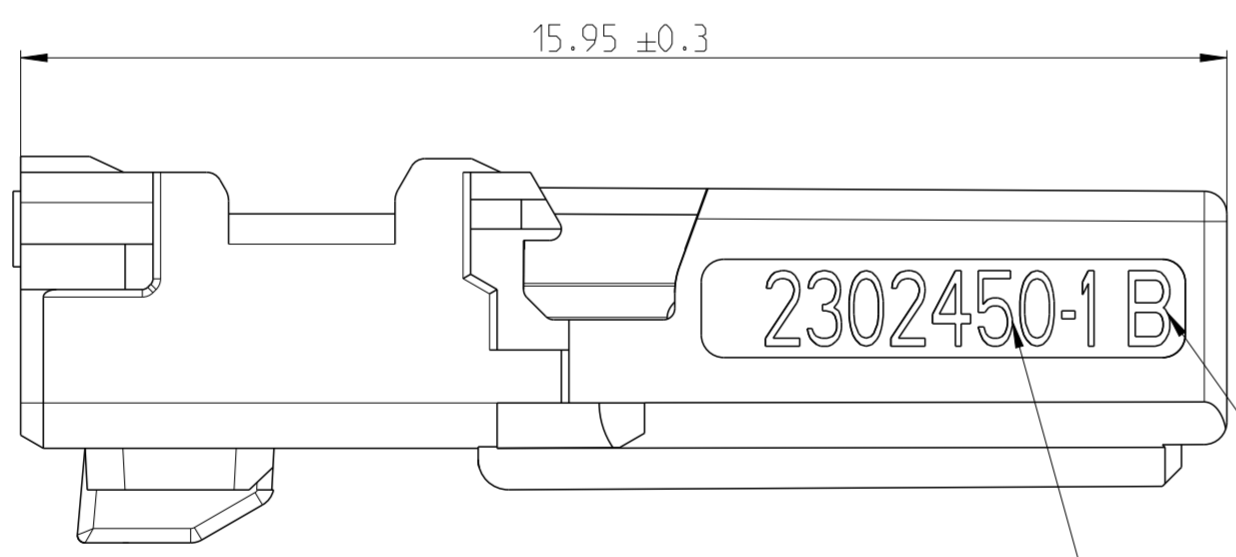
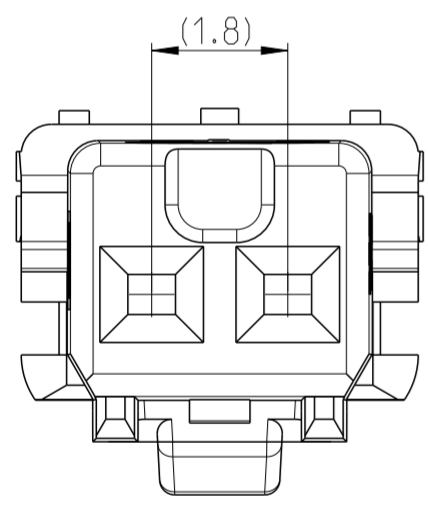
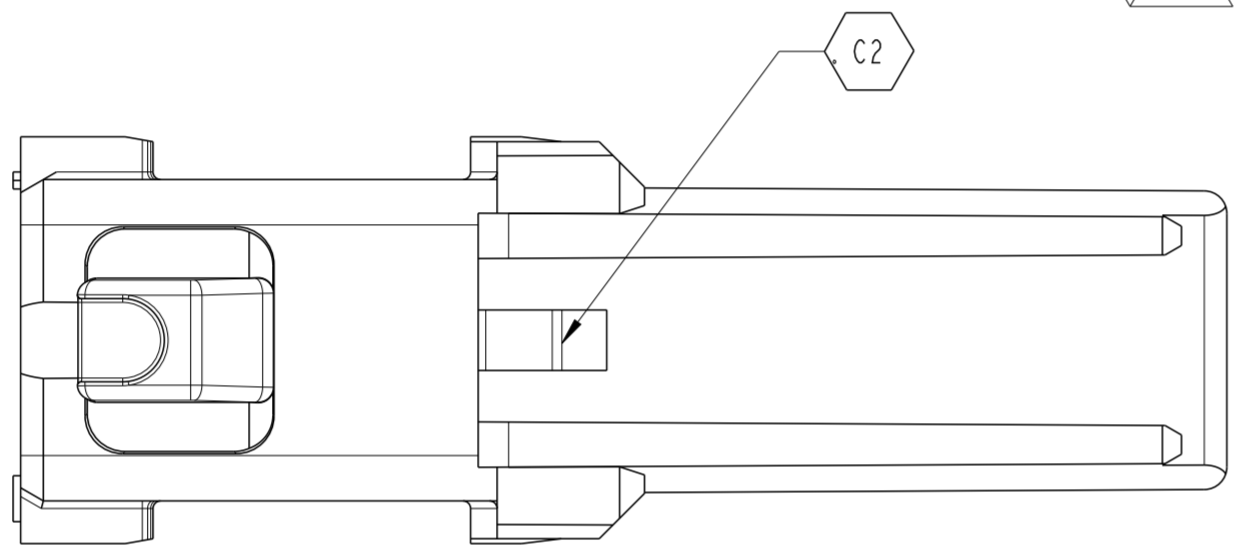
PROJEKT NR.:		REVISIONS ÄNDERUNGEN			
P	LTR	DESCRIPTION BESCHREIBUNG	DATE	DWN	APVD
B1	E-17-011574	Added Serial Part	09AUG2017	RW	AK
C	E-18-003849		09APR2018	DK	AK
C1	E-18-008153	Added Variant 1-2302450-1 (Page 2)	28MAY2018	RW	AK
C2	E-18-015417	minor shape update	27SEP2018	RW	AK



Kammer CAVITY	ALL CAVITIES
Buchsenkontakt SOCKET CONTACT	Nano MQS
max. DGB [mm²] MAX. DGB [mm²]	0.35mm² FLR
max. Isolation Ø MAX. ISOLATION Ø	1.3mm
Zeichnung TE DRAWING TE	1703930

Notizen / NOTES:

- 1 2302450-1 wie dargestellt
2302450-1 AS SHOWN
- 2 TE-Logo
TE-LOGO
- 3 TE Teil Nummer
TE PART NUMBER
- 4 Revisionsstand
PART REVISION
- 5 Kontaktkammernummer
CONTACT CAVITY NUMBER
- 6 Produktionsdatum
PRODUCTION DATE
- 7 Verpackung: Schuetztgut im Beutel im Karton
PACKAGING: LOOSE PIECES IN BAG IN BOX
- 8 zugehoeriger Kontakt siehe Tabelle:
SUITABLE FOR CONTACT SEE TABLE:



2302450-6	B	MATenet 2Pos. NanoMQS, FEMALE INSERT MODUL, violet	0.2	HeatherViolet 4003	
2302450-5	B	MATenet 2Pos. NanoMQS, FEMALE INSERT MODUL, brown	0.2	FawnBrown 8007	
2302450-4	B	MATenet 2Pos. NanoMQS, FEMALE INSERT MODUL, blue	0.2	SignalBlue 5005	
2302450-3	B	MATenet 2Pos. NanoMQS, FEMALE INSERT MODUL, yellow	0.2	CurryYellow 1027	
2302450-2	B	MATenet 2Pos. NanoMQS, FEMALE INSERT MODUL, green	0.2	EmeraldGreen 6001	
2302450-1	B	MATenet 2Pos. NanoMQS, FEMALE INSERT MODUL, black	0.2	Black 9005	
PART No.	Rev.	DESCRIPTION	MATERIAL	WEIGHT [g]	COLOUR similar RAL

THIS DRAWING IS A CONTROLLED DOCUMENT. DIMENSIONING AND TOLERANCING PER GPS (ISO STANDARDS)

DWN: J. KIESSWEITER 16AUG2016
 CHK: R. WUERKER 16AUG2016
 APVD: A. KETTLER 29AUG2016

TE Connectivity

MATenet, 2Pos., nanoMQS, FEMALE INSERT MODUL

SIZE: A2 CAGE CODE: 00779 DRAWING NO: C-2302450

MATERIAL: see table TOLERANCES UNLESS OTHERWISE SPECIFIED: ALLGEMEINTOLERANZEN

0 PLC	±0.2
1 PLC	±0.1
2 PLC	±0.1
3 PLC	±
4 PLC	±
ANGLES/WINKEL	±°
FINISH/OBERFLAECHE/FARBE	-

SCALE: MASSSTAB 5:1 SHEET: BLATT 1 OF 3 REV: C2

THIS DRAWING IS UNPUBLISHED
VERTRÄGLICHE UNVERÖFFENTLICHTE ZEICHNUNG
© COPYRIGHT 2017 BY TE Connectivity Germany GmbH

RELEASED FOR PUBLICATION
FREI FÜR VERÖFFENTLICHUNG
ALL RIGHTS RESERVED
ALLE RECHTE VORBEHALTEN

MATED WITH
PASSEND ZU:

PROJEKT NR.:

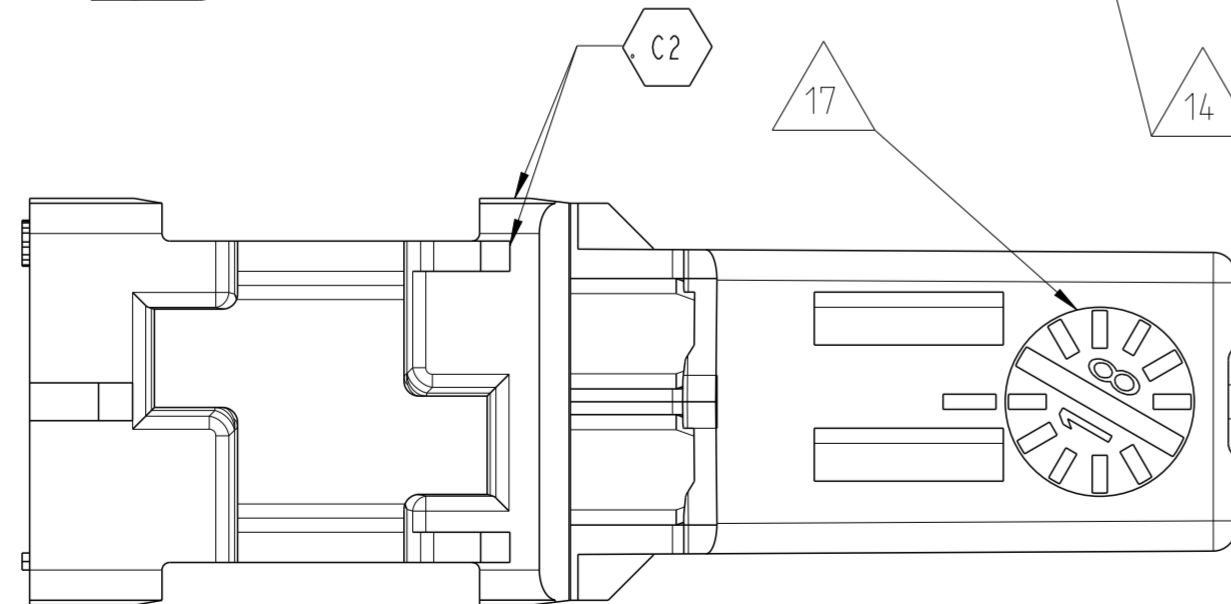
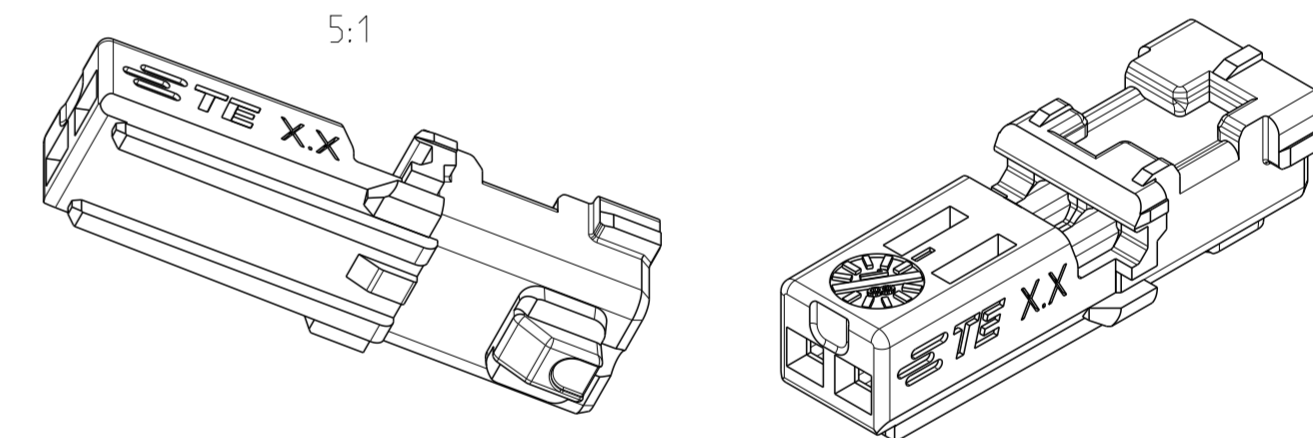
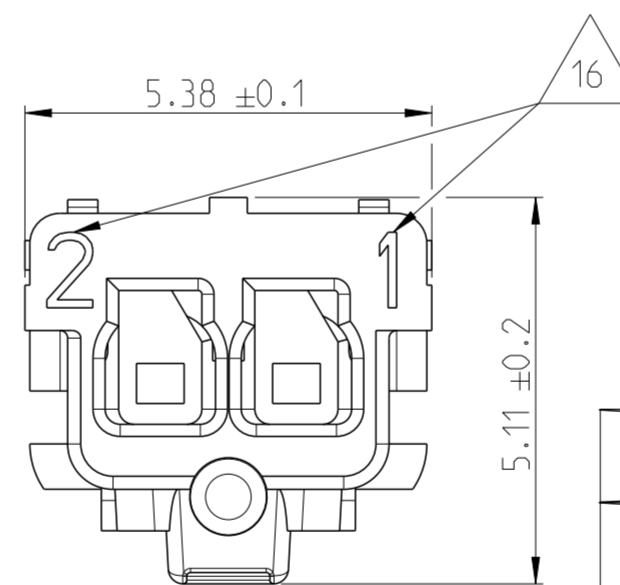
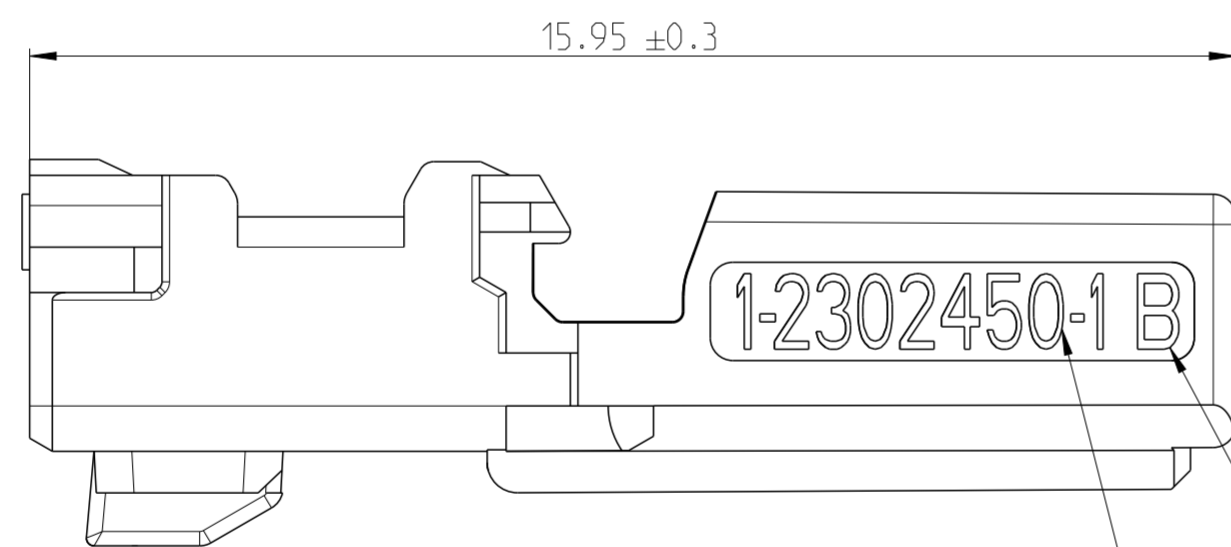
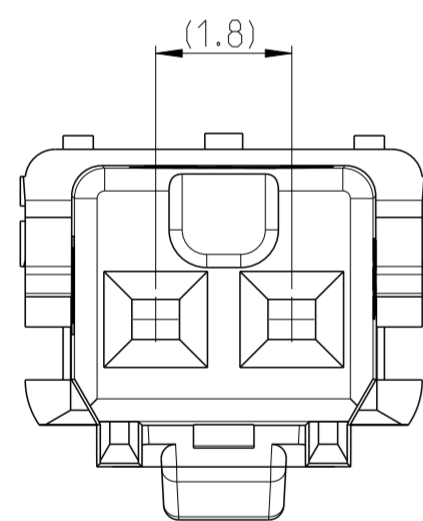
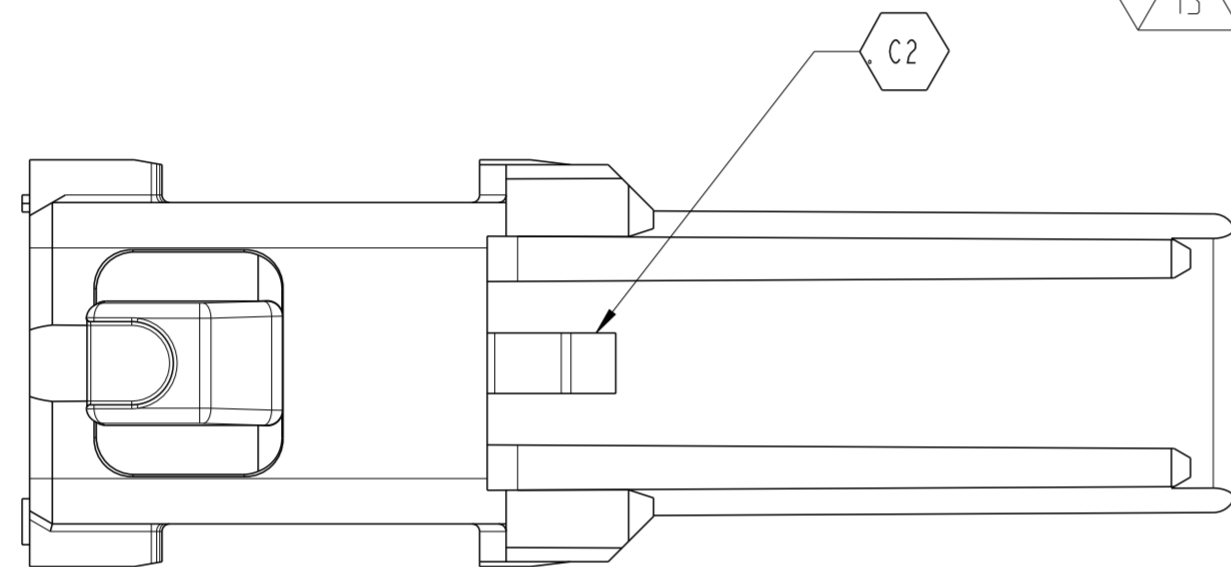
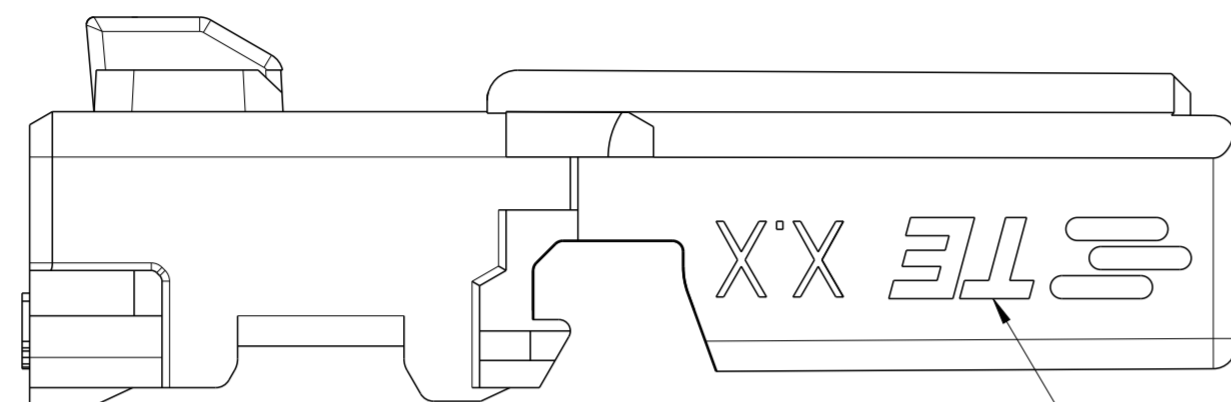
REVISIONS
ÄNDERUNGEN

P	LTR	DESCRIPTION BESCHREIBUNG	DATE	DWN	APVD
-	-	SEE SHEET 1	-	-	-

Notizen / NOTES:

- 11 1-2302450-1 wie dargestellt
1-2302450-1 AS SHOWN
- 12 Sondervariante, nicht fuer PoDL Anwendungen geeignet
SPECIAL VARIANT, NOT SUITABLE FOR PoDL APPLICATIONS
- 13 TE-Logo
TE-LOGO
- 14 TE Teil Nummer
TE PART NUMBER
- 15 Revisionsstand
PART REVISION
- 16 Kontaktkammernummer
CONTACT CAVITY NUMBER
- 17 Produktionsdatum
PRODUCTION DATE
- 18 Verpackung: Schuettgut im Beutel im Karton
PACKAGING: LOOSE PIECES IN BAG IN BOX
- 19 zugehoeriger Kontakt siehe Tabelle:
SUITABLE FOR CONTACT SEE TABLE:

Kammer CAVITY	ALL CAVITIES
Buchsenkontakt SOCKET CONTACT	Nano MQS
max. DGB [mm ²] MAX. DGB [mm ²]	0.35mm ² FLR
max. Isolation Ø MAX. ISOLATION Ø	1.3mm
Zeichnung TE DRAWING TE	1703930



1-2302450-6	B	MATenet 2Pos. NanoMQS, FEMALE INSERT MODUL, violet	0.2	HeatherViolet 4003	
1-2302450-5	B	MATenet 2Pos. NanoMQS, FEMALE INSERT MODUL, brown	0.2	FawnBrown 8007	
1-2302450-4	B	MATenet 2Pos. NanoMQS, FEMALE INSERT MODUL, blue	0.2	SignalBlue 5005	
1-2302450-3	B	MATenet 2Pos. NanoMQS, FEMALE INSERT MODUL, yellow	0.2	CurryYellow 1027	
1-2302450-2	B	MATenet 2Pos. NanoMQS, FEMALE INSERT MODUL, green	0.2	EmeraldGreen 6001	
1-2302450-1	B	MATenet 2Pos. NanoMQS, FEMALE INSERT MODUL, black	0.2	Black 9005	
PART No.	Rev.	DESCRIPTION	MATERIAL	WEIGHT [g]	COLOUR similar RAL

THIS DRAWING IS A CONTROLLED DOCUMENT. DIMENSIONING AND TOLERANCING PER GPS (ISO STANDARDS)

DWN: J. KIESSWEITER 16 AUG 2016
CHK: R. WUERKER 16 AUG 2016
APVD: A. KETTLER 29 AUG 2016

TE Connectivity

MATENet, 2Pos., nanoMQS, FEMALE INSERT MODUL

SIZE: A2 CAGE CODE: 00779 DRAWING NO. ZEICHNUNGS-NR.: C-2302450 RESTRICTED TO NUR FÜR: -

MATERIAL: see table FINISH/OBERFLÄCHE/FARBE: - WEIGHT/GEWICHT: - CUSTOMER DRAWING /KUNDENZEICHNUNG SCALE MASSSTAB: 10:1 SHEET BLATT: 2 OF VON 3 REV: C2

THIS DRAWING IS UNPUBLISHED.
 VERTRAULICHE UNVERÖFFENTLICHTE ZEICHNUNG
 © COPYRIGHT 2017 BY TE Connectivity Germany GmbH

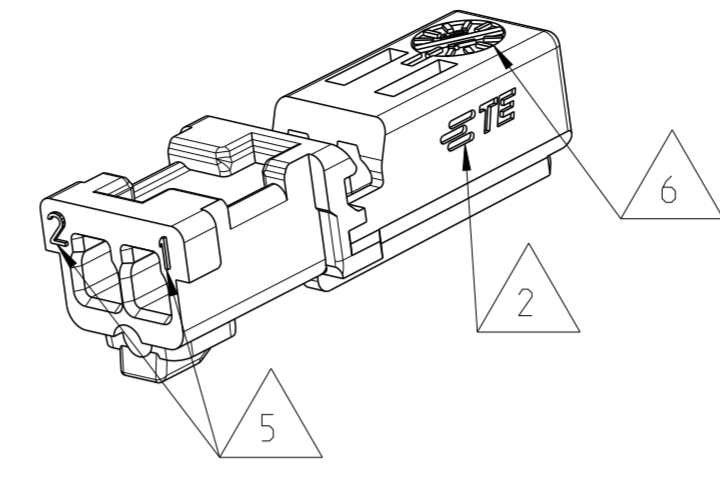
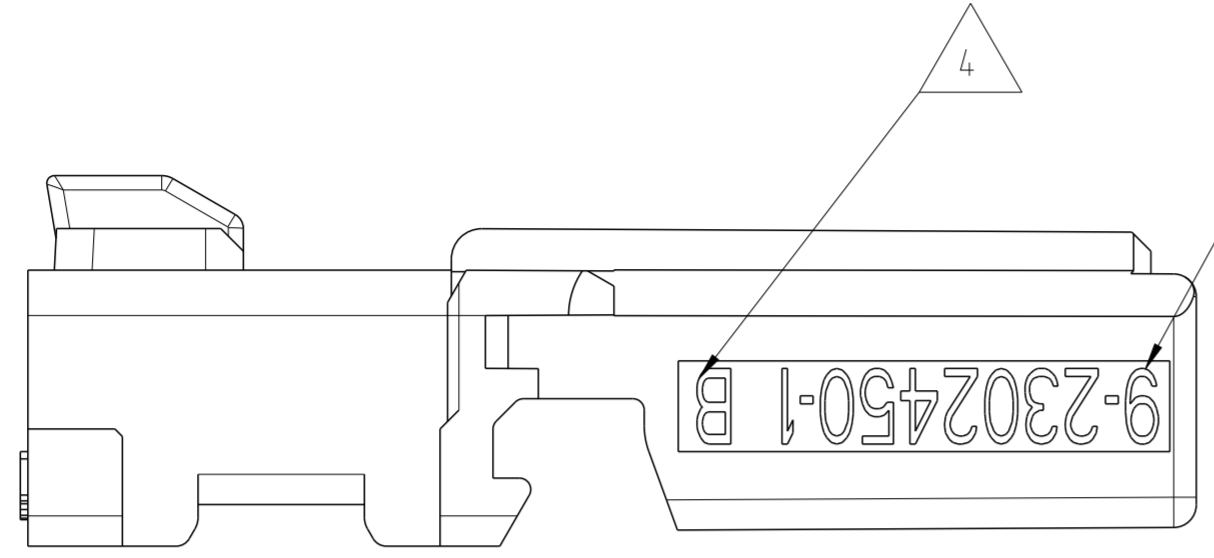
RELEASED FOR PUBLICATION
 FREI FUER VERÖFFENTLICHUNG
 ALL RIGHTS RESERVED.
 ALLE RECHTE VORBEHALTEN.

MATED WITH:
 PASSEND ZU:

PROJEKT NR.:

REVISIONS

P	LTR	DESCRIPTION BESCHREIBUNG	DATE	DWN	APVD
-	-	SEE SHEET 1	-	-	-

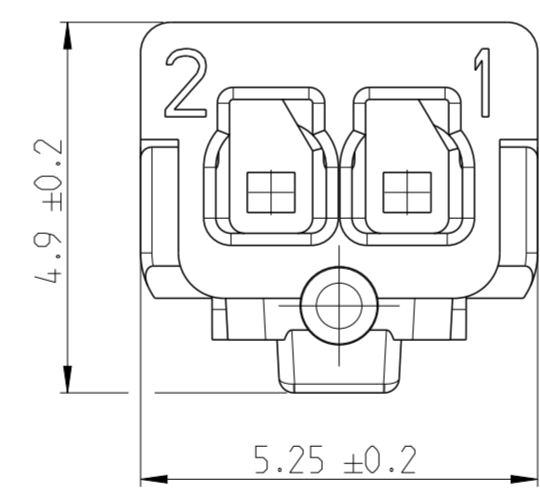
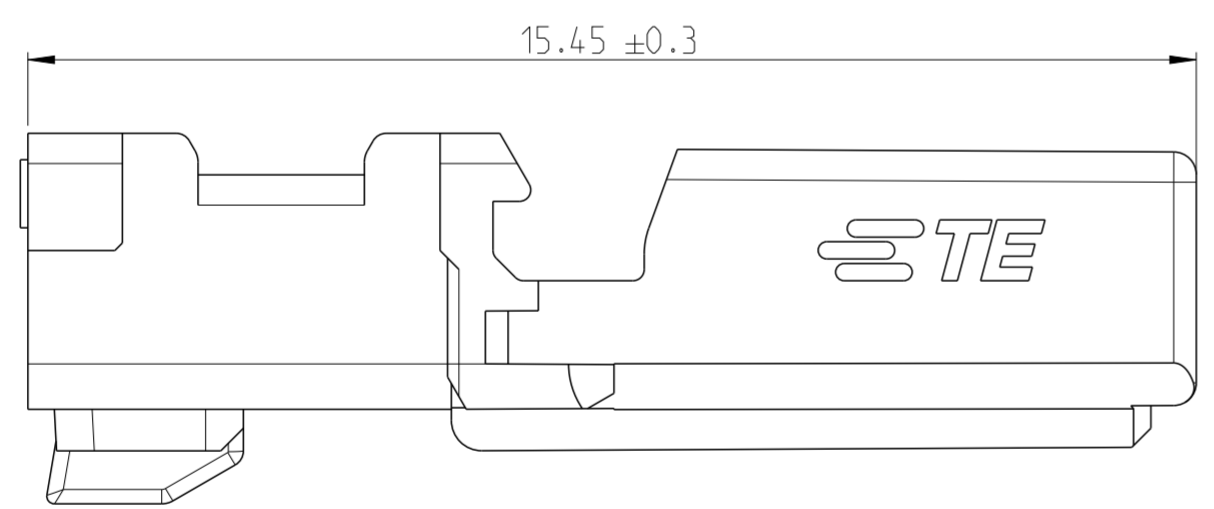
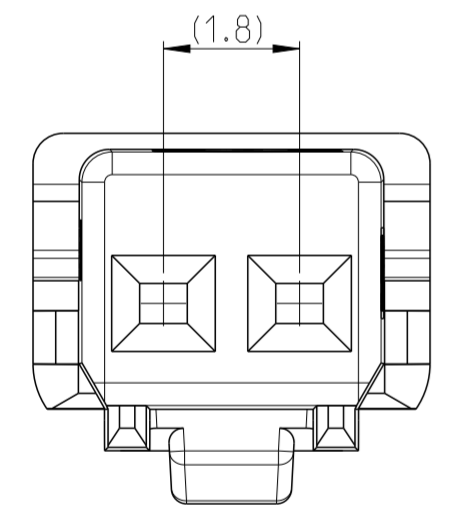


Notizen / NOTES:

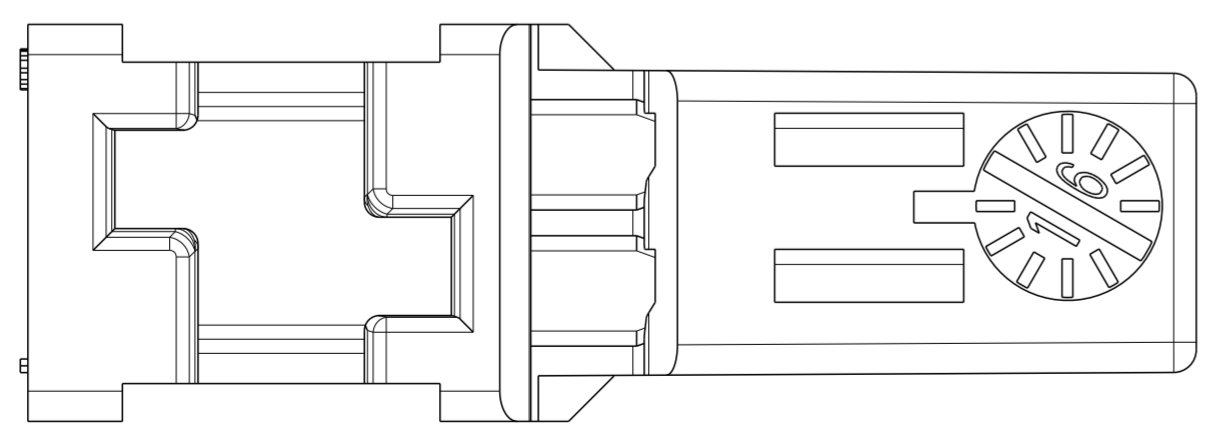
- 1 9-2302450-1 wie dargestellt
9-2302450-1 AS SHOWN
- 2 TE-Logo
TE-LOGO
- 3 TE Teil Nummer
TE PART NUMBER
- 4 Revisionsstand
PART REVISION
- 5 Kontaktkammernummer
CONTACT CAVITY NUMBER
- 6 Produktionsdatum
PRODUCTION DATE
- 7 Verpackung: Schuettgut im Beutel im Karton
PACKAGING: LOOSE PIECES IN BAG IN BOX
- 8 zugehoeriger Kontakt siehe Tabelle:
SUITABLE FOR CONTACT SEE TABLE:

Kammer CAVITY	ALL CAVITIES
Buchsenkontakt SOCKET CONTACT	Nano MQS
max. DGB [mm ²] MAX. DGB [mm ²]	0.35mm ² FLR
max. Isolation Ø MAX. ISOLATION Ø	1.3mm
Zeichnung TE DRAWING TE	1703930

**NUR FUER B-MUSTER
 FOR PROTOTYPE B-SAMPLES ONLY**



9-2302450-6	B	MATenet 2Pos. NanoMQS, FEMALE INSERT MODUL, violet	0.21	HeatherViolet 4003	
9-2302450-5	B	MATenet 2Pos. NanoMQS, FEMALE INSERT MODUL, brown	0.21	FawnBrown 8007	
9-2302450-4	B	MATenet 2Pos. NanoMQS, FEMALE INSERT MODUL, blue	0.21	SignalBlue 5005	
9-2302450-3	B	MATenet 2Pos. NanoMQS, FEMALE INSERT MODUL, yellow	0.21	CurryYellow 1027	
9-2302450-2	B	MATenet 2Pos. NanoMQS, FEMALE INSERT MODUL, green	0.21	EmeraldGreen 6001	
9-2302450-1	B	MATenet 2Pos. NanoMQS, FEMALE INSERT MODUL, black	0.21	Black 9005	
PART No.	Rev.	DESCRIPTION	MATERIAL	WEIGHT [g]	COLOUR similar RAL



THIS DRAWING IS A CONTROLLED DOCUMENT. DIMENSIONING AND TOLERANCING PER GPS (ISO STANDARDS)

DWN: J. KIESSWEITER 16AUG2016
 CHK: R. WUERKER 16AUG2016
 APVD: A. KETTLER 29AUG2016

TE Connectivity

MATenet, 2Pos., nanoMQS, FEMALE INSERT MODUL

SIZE: A2 CAGE CODE: 00779 DRAWING NO: C-2302450

SCALE: MASSSTAB 5:1 SHEET: 3 OF 3 REV: C2

Mouser Electronics

Authorized Distributor

Click to View Pricing, Inventory, Delivery & Lifecycle Information:

[TE Connectivity:](#)

[2302450-1](#)