

CAD
GENERATED
DRAWING

DCN
CONTROLLED
DOCUMENT

DWG. NO.

1213-4006

PRODUCT DATA DRAWING

MATERIALS:

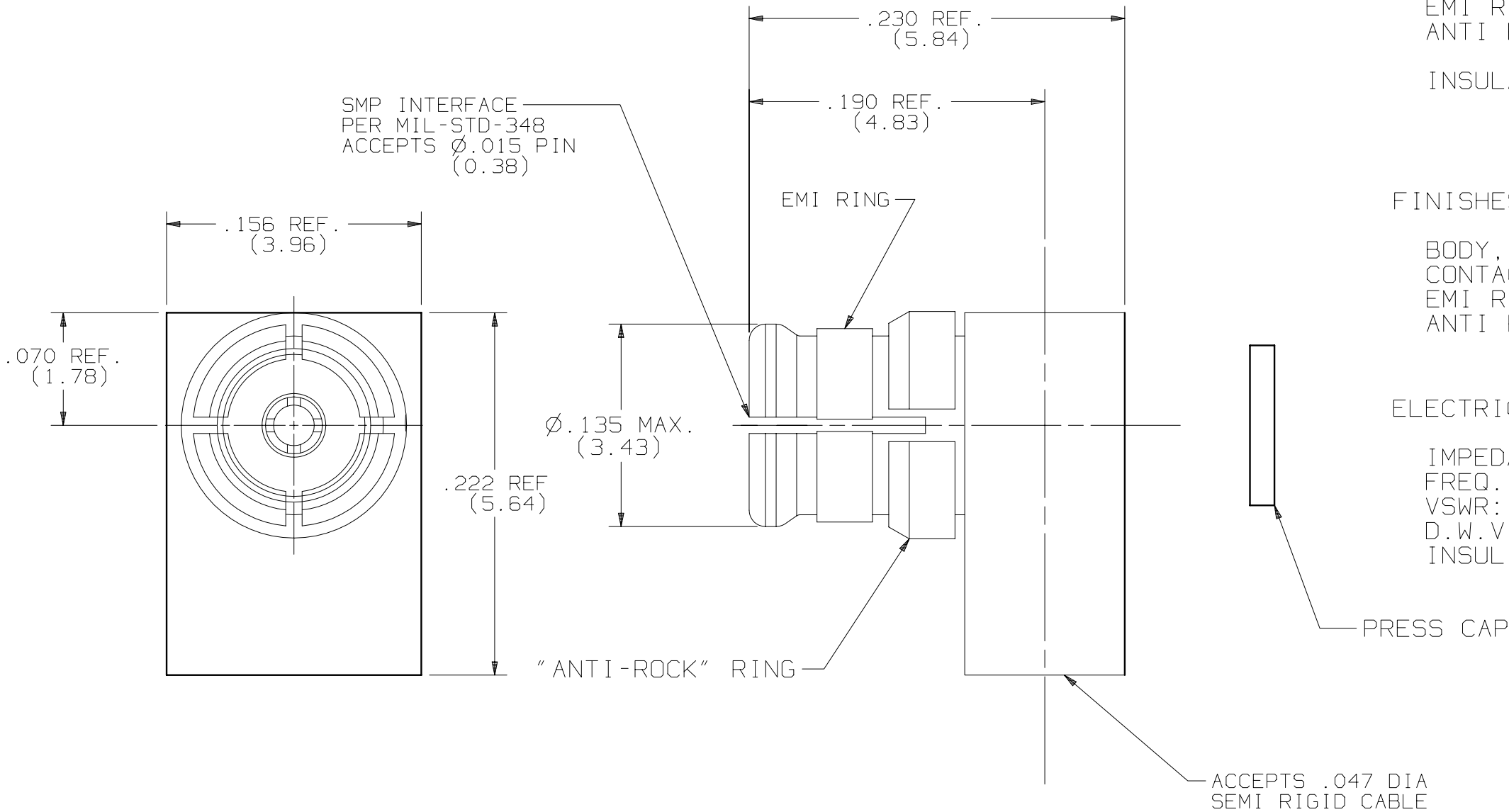
BODY, CAP
CONTACT
EMI RING &
ANTI ROCK RING: BERYLLIUM COPPER PER ASTM-B196,
INSULATOR: TEFLON PER ASTM-D1710.

FINISHES:

BODY, CAP
CONTACT,
EMI RING &
ANTI ROCK RING: GOLD PER ASTM B 488, TYPE II
GRADE C, CLASS 1.27 OVER NICKEL
PER AMS-QQ-N-290.

ELECTRICAL:

IMPEDANCE: 50 OHMS
FREQ. RANGE: DC TO 18 GHz
VSWR: 1.20:1 MAX.
D.W.V.: 500 VDC
INSUL. RES.: 5,000 MEGOHMS MIN.



DIMENSIONS ARE IN INCHES WITH METRIC EQUIVALENTS IN PARENTHESES

| SYM. | DESCRIPTION | DATE | APPR. | UNLESS OTHERWISE SPECIFIED: 1) ALL DIMENSIONS ARE AFTER PLATING. 2) BREAK CORNERS & EDGES .005 R. MAX. 3) CHAM. 1s1 & LAST THDS. 4) SURFACE ROUGHNESS 63 μ MIL-STD-10. 5) DIAS. ON COMMON CENTERS TO BE CONCENTRIC WITHIN .005 T.I.R. 6) REMOVE ALL BURRS. | DIMENSIONS ARE IN INCHES TOLERANCES: | | | SV Microwave, Inc. 2400 Centrepark West Drive, Suite 100 West Palm Beach, FL 33409 |
|------|---------------|-------|-------|---|---|--|---|--|
| | | | | DECIMALS .X \pm .030 .XX \pm .015 .XXX \pm .005 | FRACTIONAL \pm 1/64 | ANGULAR X° \pm 1'0" X°X' \pm 15' | TITLE: | |
| - | REL.DCN 31437 | 05/04 | STW | | MATERIAL: SEE ABOVE | □" AREA: N/A | SMP R/A CABLE JACK FOR .047 S.R. CABLE | |
| | | | | DRAWN: JMC 05/13/04 | FINISH: SEE ABOVE | | DWG. NO. | |
| | | | | CHECKED: STW 05/13/04 | SIZE B | CAGE NO. 95077 | SCALE 12X | |
| | | | | APPROVED: STW 05/13/04 | | | 1213-4006 | |